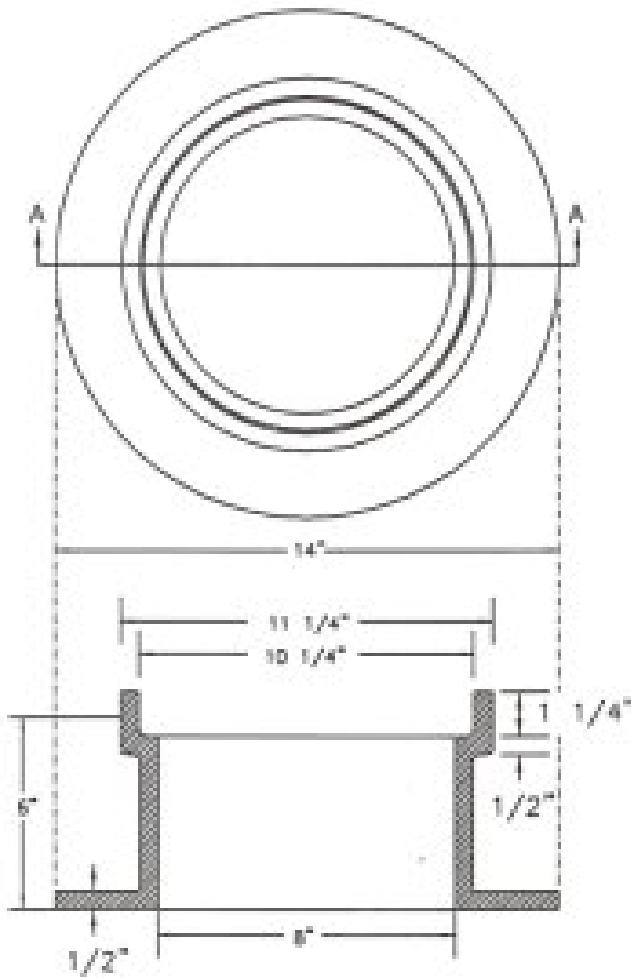
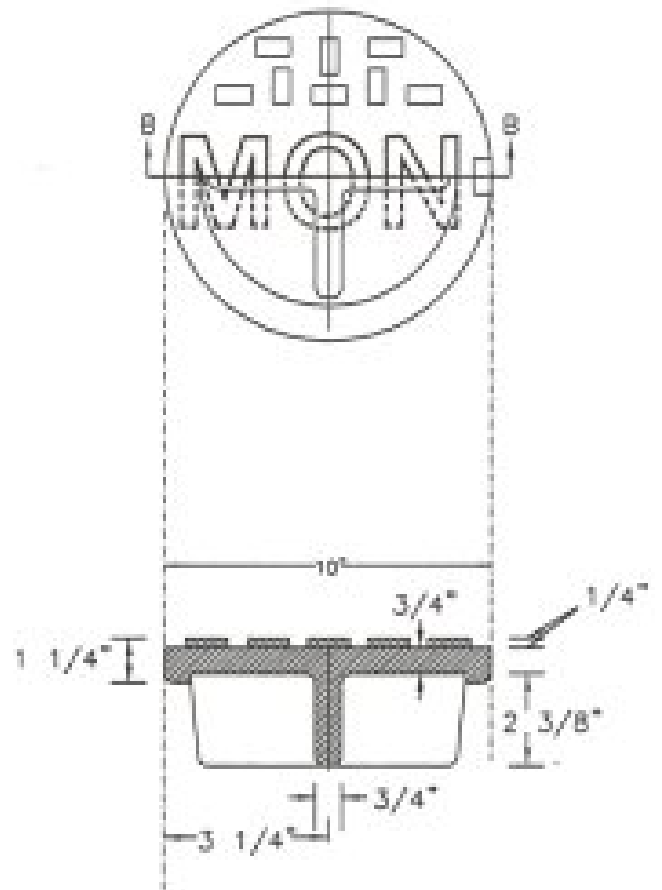


# STANDARD 8" MONUMENT WELL

USED BY CLACKAMAS COUNTY SURVEY DEPARTMENT  
WHERE SPEEDS ARE BELOW 35 MPH



SECTION A - A  
WEIGHT 52 LBS.



SECTION B - B  
WEIGHT 25 LBS.

INLAND FOUNDRY CO., INC.  
191 N. 39th  
SPRINGFIELD, OREGON 97477

PART NO. 1036 - MONUMENT WELL AND LID ASSEMBLY  
2" RISER RING AVAILABLE

OR APPROVED EQUIVALENT