



State of Oregon
Department of
Environmental
Quality

Annual Report

MS4 Phase II General Permit

National Pollutant Discharge Elimination System

MS4 Stormwater Discharge Permit

Monitoring Year: 2020-2021

Permit Registrant: Marion County

Date Prepared/Submitted:

DEQ File No.: 113608

Certification and Signature

1. Permit Registrant(s): Marion County
2. Legally Authorized Representative: Brian Nicholas
3. Title: Director of Public Works
4. Email: bnicholas@co.marion.or.us
5. Phone: (503)-588-5036

I certify under penalty of law that this document and all attachments were prepared under my direction or supervision in accordance with a system designed to assure that qualified personnel properly gather and evaluate the information submitted. Based on my inquiry of the person or persons who manage the system, or those persons directly responsible for gathering the information, the information submitted is, to the best of my knowledge and belief, true, accurate, and complete. I am aware that there are significant penalties for submitting false information, including the possibility of fine and imprisonment for knowing violations (40 CFR 122.22(d)).

Signature

Date

Table of Contents

Certification and Signature	1
General Information	4
Registrant Information	4
Municipal Separate Storm Sewer System (MS4) Information.....	4
MS4 Stormwater Discharge Information	4
Coordination Among Registrants and Joint Agreements	5
Stormwater Management Program Information	5
Stormwater Management Program Control Measures	7
Public Education and Outreach	7
Public Involvement and Participation	9
Illicit Discharge Detection and Elimination	10
Construction Site Runoff Control	15
Post-Construction Site Runoff for New Development and Redevelopment	17
Pollution Prevention and Good Housekeeping for Municipal Operations.....	22
Monitoring	25
Wood Village Monitoring Requirements	25
Water Quality Standards	26

Instructions

At least once per year, the permit registrant must evaluate compliance with the requirements of the MS4 Phase II general permit using this Annual Report template. This self-evaluation includes assessment of progress made towards implementing the SWMP control measures in Schedule A, and implementation of actions to comply with any additional requirements identified pursuant to Schedule D.1 (Requirements for Discharges to Impaired Waterbodies).

For each SWMP control measure or activity listed below, please answer all the questions and in the comments field cite any relevant information and/or statistics that helps to illustrate implementation or compliance. If your answer is “No,” in the comments field explain the reasons and outline the anticipated implementation timeline. If the requirement does not apply, explain why it is not applicable in the comments field.

No later than November 1 each year, beginning in 2020, the permit registrant must submit an Annual Report to DEQ. One signed copy and one electronic copy must be submitted to DEQ using the address provided in permit. DEQ can provide an FTP site for submittal of the electronic copy, upon request.

General Information

Registrant Information

6. Permit Registrant(s): Marion County		
7. Type(s): <input type="checkbox"/> City / <input checked="" type="checkbox"/> County / <input type="checkbox"/> Special District / <input type="checkbox"/> Other:		
8. Registrant Type: Existing Registrant: <input checked="" type="checkbox"/> New Registrant: <input type="checkbox"/>		
9. Community Type: Large Community: <input type="checkbox"/> Small Community: <input checked="" type="checkbox"/>		
10. DEQ Permit No: 113608		
11. EPA File No: ORS113608		
12. Physical Address: 5155 Silverton Rd NE		
City: Salem	State: OR	Zip: 97305
13. Point of Contact: Alexander Wade		
Title: Environmental Specialist	Email: awade@co.marion.or.us	Phone: 503-566-4124
14. Mailing Address (if different):		
City:	State:	Zip:

Municipal Separate Storm Sewer System (MS4) Information

15. Estimate the area in square mileage served by the MS4: 43.6 square miles
16. Estimate the population served by the MS4: 30,000+ (difficult to estimate without defined jurisdictional boundary)

MS4 Stormwater Discharge Information

Identify the names of all known waters that receive a discharge from your MS4.

Receiving Waterbody	# of Outfalls	Impaired waterbody				Impairment(s)
		303d listed		TMDL issued		
a. Little Pudding River	131	Yes <input checked="" type="checkbox"/>	No <input type="checkbox"/>	Yes <input checked="" type="checkbox"/>	No <input type="checkbox"/>	DO, E. Coli, Chlorpyrifos, DDT, DDE
b. Clagget Creek	68	Yes <input checked="" type="checkbox"/>	No <input type="checkbox"/>	Yes <input checked="" type="checkbox"/>	No <input type="checkbox"/>	Biological Criteria, DO, E. Coli
c. Mill Creek	5	Yes <input checked="" type="checkbox"/>	No <input type="checkbox"/>	Yes <input checked="" type="checkbox"/>	No <input type="checkbox"/>	temperature, DO, E. Coli
d. Labish Ditch	8	Yes <input type="checkbox"/>	No <input checked="" type="checkbox"/>	Yes <input type="checkbox"/>	No <input checked="" type="checkbox"/>	
e. Jory Creek	0	Yes <input type="checkbox"/>	No <input checked="" type="checkbox"/>	Yes <input type="checkbox"/>	No <input checked="" type="checkbox"/>	
f. Fruitland Creek	10	Yes <input type="checkbox"/>	No <input checked="" type="checkbox"/>	Yes <input type="checkbox"/>	No <input checked="" type="checkbox"/>	
g. Powell Creek	0	Yes <input type="checkbox"/>	No <input checked="" type="checkbox"/>	Yes <input type="checkbox"/>	No <input checked="" type="checkbox"/>	
h. Battle Creek	2	Yes <input checked="" type="checkbox"/>	No <input type="checkbox"/>	Yes <input checked="" type="checkbox"/>	No <input type="checkbox"/>	DO, E. Coli
i.		Yes <input type="checkbox"/>	No <input type="checkbox"/>	Yes <input type="checkbox"/>	No <input type="checkbox"/>	
j.		Yes <input type="checkbox"/>	No <input type="checkbox"/>	Yes <input type="checkbox"/>	No <input type="checkbox"/>	

Coordination Among Registrants and Joint Agreements

Required for permit registrants relying on another entity to satisfy one or more of the requirements of the permit.

17. Is there a joint agreement in place for the implementation of one or more stormwater management program control measures? *Schedule A.2* Yes No

18. If yes, has there been any change to the joint agreement(s) submitted previously? Yes No
If yes, include, as an attachment, a summary of the changes.

The summary must identify the other co-registrants/co-implementers or other entities

Stormwater Management Program Information

19. Discuss the status and overall progress of establishing legal authority to control pollutant discharges into and discharges from the MS4 and to implement and enforce the conditions of this permit. *Schedule A.2.c*

Marion County has strong legal authority to respond to pollutant discharges within the Storm Water Management Area. Code 15.15 prohibits non storm water discharges into the MS4 and surface water drainage system within the Storm Water Management Area. The code provides capability for escalating enforcement actions to promote compliance.

Stormwater Management Program Information

20. Is an updated SWMP Document attached? *Schedule A.2.c*

Yes No (must be submitted with the second Annual Report)

If necessary, provide an explanation:

21. Identify the publicly accessible website where the SWMP Document is posted. *Schedule 2.c & A.3.b.ii*

<https://www.co.marion.or.us/PW/ES/waterquality/Pages/strmwtr.aspx>

If necessary, provide an explanation:

22. Does the SWMP Document include an implementation schedule for control measures that have yet to be or are partially implemented? *Schedule A.2.c*

Yes No

If necessary, provide an explanation:

23. Describe the method used to gather, track, and use SWMP information to set priorities or assess compliance: *Schedule A.2.d*

Assigned teams track required work tasks and goals. This information is centrally gathered by program staff for evaluation.

24. Have finances, staff, equipment and other support capabilities been provided to implement the permit? *Schedule A.2.e*

Yes No

If necessary, provide an explanation:

25. During this monitoring year was compliance with the requirements of this permit evaluated? *Schedule B.1*

Yes No

If necessary, provide an explanation:

26. During this monitoring year was it determined or reported that discharge from the MS4 caused or contributed to an excursion of an applicable water quality standard? *Schedule A.1.b*

Yes No

If "Yes", complete Water Quality Standards section (p. 21) of this template.

Stormwater Management Program Control Measures

Public Education and Outreach

27. Provide a brief summary of the ongoing public education and outreach program. *Schedule A.3.a*

Marion County is actively engaged with County residents through social media accounts. Educational videos were promoted throughout the year by a third party company which ensures videos are shown as advertisements on streaming devices. Marion County participates in the Clean Rivers Coalition including the KPTV clean water partnership and also the Mid-Willamette Outreach group. The Clean Water Partnership funds and directs the production of educational materials that are distributed regionally by KPTV, and are used for outreach as members see fit. Marion County Dog Services also provides education and outreach on pets' contributions to water quality degradation at their shelter facility, online, and at in person events, such as dog licensing events. They are providing dog bag dispensers to individuals who join the Capital Canine Club, pledging to pick up their pets waste. Marion County also is a member of the Association of Clean Water Agencies; this organization also creates materials for distribution to educate on water quality.

28. Were the required components in place by the implementation date? *Schedule A.3.a.i*

Yes No (Implementation date: Feb. 28, 2020 for Existing Registrant, Sept. 1, 2023 for New Registrants and February 28, 2024 for Albany, Corvallis, Millersburg, Springfield and Turner)

29. Provide the number of education and outreach activities conducted: *Schedule A.3.a.iii*

During this reporting year: 5

30. During the permit term: 11

If necessary, provide an explanation:

This count is only for in person events. Work on storm drain markers is completed by individual or group volunteer who work as available. We also hosted a trivia night around water issues.

31. Indicate target audiences addressed during this reporting year: *Schedule A.3.a.iv*

- General public, homeowners, homeowner association, schoolchildren, and businesses
- Local elected officials, land use planners and engineers
- Construction site operators

32. Have each target audience been addressed during the permit term? *Schedule A.3.a.iv*

Yes No

33. Indicate target topics addressed during this reporting year: *Schedule A.3.a.iv*

- Impacts of illicit discharges on receiving waters and how to report them
- Impacts from impervious surfaces and appropriate techniques to avoid adverse impacts
- BMPs for proper use, application and storage of pesticides and fertilizer
- BMPs for litter and trash control
- BMPs for recycling programs
- BMPs for power washing, carpet cleaning and auto repair and maintenance
- Low impact development/green infrastructure
- Information pertaining to maintenance of septic systems
- Watershed awareness and how storm drains lead to local creeks and rivers, and potential impacts to fish and other wildlife
- Other:

34. Describe the types of educational messages or activities distributed and/or offered during this reporting year.
Schedule A.3.a.iii

- Facebook posts
- Short YouTube videos
- Online trivia
- Educational advertisements
- Erosion Control Summit
- Internet browser banner ads
- Local news channel KPTV videos
- Water Festival Middle school outreach activity

35. Was outreach to construction site operators working within your community offered during this reporting year?
Schedule A.3.a.v

Yes No

36. Total number during the permit term:

37. Identify and describe the assessment/evaluation of, at least, one education and outreach activity that occurred during this reporting year. Include the assessment process or metric for evaluation, and why this activity was considered successful. *Schedule A.3.a.vi*

The 2021 Erosion Control Summit, hosted by the Mid-Willamette Outreach Group, ended with a survey of participants. Participants reported that at least 50% of the content applied directly to their work. The purpose of the summit is to bring together engineers, municipal workers, and construction site workers to gain perspective on regulation, science, and BMPs that relate to erosion and sediments from construction activities on water quality. The event successfully exposed key industry players to relevant information and approaches to erosion control at construction activities.

38. Will the assessment be used to inform future stormwater education and outreach efforts? *Schedule A.3.a.vi*

Yes No

39. Provide an explanation:

The erosion control summit is an annual event. The Mid-Willamette Outreach Group seeks content that is relevant to the target audience. Additionally, advertising for the next event will be increasingly targeted to construction site operators.

Public Involvement and Participation

40. Provide a brief summary of the overall progress towards implementation of this control measure. *Schedule A.3.b*
We have a publicly accessible website that is reviewed and updated frequently. The website has information for IDDE reporting, our SWMP plan, links to ordinances and relevant documents, and contact information for program staff. Marion County Public Works has an adopt-a-road program, and also utilizes volunteers to mark storm drains. Marion County also has a stencil kit for businesses and individuals to borrow for marking drains in parking lots. Marion County also partners with other jurisdictions and agencies to provide opportunities for public involvement. The permit requirements are being met, and Marion County will continue to seek ways to engage the public to improve water quality.

41. Were the required components in place by the implementation date? *Schedule A.3.b.i*

Yes No (Implementation date: Feb. 28, 2020 for Existing Registrant, Sept. 1, 2023 for New Registrants and February 28, 2024 for Albany, Corvallis, Millersburg, Springfield and Turner)

42. Is the SWMP Document posted on a publicly accessible website? *Schedule A.3.b.ii*

Yes No

43. Was the publicly accessible website updated during this reporting year? *Schedule A.3.b.ii*

Yes No

If necessary, provide an explanation:

44. Does the publicly accessible website include illicit discharge complaint/reporting information or procedures? *Schedule A.3.b.ii.A*

Yes No

If necessary, provide an explanation:

45. Does the publicly accessible website include draft documents issued for public comment, final reports, plans and other official SWMP policy documents? *Schedule A.3.b.ii.B*

Yes No

If necessary, provide an explanation:

46. Does the publicly accessible website include links to all ordinances, policies and/or guidance documents related to the construction and post-construction stormwater management control programs, including education, training, licensing, and permitting? *Schedule A.3.b.ii.C*

Yes No

If necessary, provide an explanation:

47. Does the publicly accessible website include contact information for relevant staff, including phone numbers, mailing addresses and email addresses? *Schedule A.3.b.ii.D*

Yes No

If necessary, provide an explanation:

48. During this reporting year, was a stewardship opportunity created or partnered with another entity? *Schedule A.3.b.iii*

Yes No

If "Yes", summarize the stewardship opportunity(s).

Volunteers glue metal markers in place at storm drain inlets to raise awareness about the connectedness of the community to local waterways.

Illicit Discharge Detection and Elimination

49. Provide a brief summary of the overall progress towards implementation of this control measure. *Schedule A.3.c*

We have a GIS database mapping our storm water control assets with relevant information. This has been used to create a maintenance tracking system and dry weather screening using Collector and Survey123. The GIS database is editable by our field staff so that we can continuously ground truth to improve our records. All controls have unique identifiers.

50. Were the required components in place by the implementation date? *Schedule A.3.c.i*

Yes No (*Implementation date: Feb. 28, 2022 for Existing Registrant, Sept. 1, 2023 for New Registrants and February 28, 2024 for Albany, Corvallis, Millersburg, Springfield and Turner*)

51. Is the MS4 map(s) current? *Schedule A.3.c.ii.A*

Yes No

52. Describe the MS4 map(s) format(s):

GIS

53. Is the MS4 map(s) included as attachment? Yes No

Or are the digital shapefiles available for electronic submittal? Yes No

(Implementation date: Feb. 28, 2022 for Existing Registrant, Sept. 1, 2023 for New Registrants and February 28, 2024 for Albany, Corvallis, Millersburg, Springfield and Turner)

If necessary, provide an explanation:

54. Is the digital inventory of all known outfalls, with the associated receiving waterbody current? *Schedule A.3.c.ii.B*

Yes No

If necessary, provide an explanation:

This is a living inventory that is subject to ground-truthing and quality assurance. It changes with our understanding of the system.

55. Indicate if the following features are included on your MS4 map:

- Location of all known outfalls, including the requirements in *Schedule A.3.c.ii.B*
- Stormwater collection and conveyance system, including the requirements in *Schedule A.3.c.ii.C*
- Stormwater structural controls, including the requirements in *Schedule A.3.c.ii.C*
- Location of known chronic discharges *Schedule A.3.c.ii.D*

If necessary, provide an explanation:

We included a map showing the SWMA as well as a separate map showing a portion of the SWMA highlighting our outfalls, controls, and conveyance system. We have no known chronic discharges.

56. Have non-stormwater discharges into the MS4 been prohibited through enforcement of an ordinance or other regulatory mechanism? *Schedule A.3.c.iii*

Yes No

If necessary, provide an explanation:

57. Indicate which of the following have an ordinance or other regulatory mechanism to prohibit discharge to the MS4: *Schedule A.3.c.iii*

- Septic, sewage, and dumping or disposal of liquids or materials other than stormwater into the MS4
- Discharges of washwater resulting from the hosing or cleaning of gas stations, auto repair garages, or other types of automotive services facilities
- Discharges resulting from the cleaning, repair, or maintenance of any type of equipment, machinery, or facility, including motor vehicles, cement-related equipment, and port-a-potty servicing, etc.
- Discharges of washwater from mobile operations, such as mobile automobile or truck washing, steam cleaning, power washing, and carpet cleaning, etc.
- Discharges of washwater from the cleaning or hosing of impervious surfaces in municipal, industrial, commercial, or residential areas (including parking lots, streets, sidewalks, driveways, patios, plazas, work yards and outdoor eating or drinking areas, etc.) where detergents are used and spills or leaks of toxic or hazardous materials have occurred (unless all spilled material has been removed)
- Discharges of runoff from material storage areas, which contain chemicals, fuels, grease, oil, or other hazardous materials from material storage areas
- Discharges of pool or fountain water containing chlorine, biocides, or other chemicals; discharges of pool or fountain filter backwash water
- Discharges of sediment, unhardened concrete, pet waste, vegetation clippings, or other landscape or construction-related wastes
- Discharges of trash, paints, stains, resins, or other household hazardous wastes
- Discharges of food-related wastes (grease, restaurant kitchen mat and trash bin washwater, etc.)

If necessary, provide an explanation:

58. Is the written escalating enforcement and response procedure included as an attachment? *Schedule A.3.c.iv*

Yes No

(For Existing Registrant must be submitted with the third Annual Report, Sept. 1, 2023 for New Registrants and February 28, 2024 for Albany, Corvallis, Millersburg, Springfield and Turner)

If necessary, provide an explanation:

59. Is there a phone number, webpage, and/or other communication channel publicized for the public use to report illicit discharges? *Schedule A.3.c.v.A*

- Phone number(s)
- Webpage(s)
- Other communication channels

If necessary, provide an explanation:

60. Provide the number of complaints received during this reporting year. *Schedule A.3.c.v.D*

Number: 26 (*complaints related to IDDE*)

61. On average, how long did it take to respond to complaints? *Schedule A.3.c.v.B*

In working days: 1

62. Provide the number of complaints that included notification of the Oregon Emergency Response System during this reporting year. *Schedule A.3.c.v.B*

Number of notification: 4

63. Provide the number of complaints where staff performed an investigation during this reporting year. *Schedule A.3.c.v*

Number: 23 (*investigations related to IDDE*)

64. On average, how long did it take to conduct an initial investigation? *Schedule A.3.c.v.B*

In working days: 1

65. Provide the number of illicit discharges discovered and eliminated during this reporting year. *Schedule A.3.c.v*

Number: 17

66. On average, how long did it take to eliminate an illicit discharge? *Schedule A.3.c.v.B*

In working days: less than 15 working days

67. Provide the number times escalating enforcement procedure was used to eliminate illicit discharge during this reporting year. *Schedule A.3.c.v.D*

Number of times: 1

Do any of the illicit discharges involve the repair or replacement of the wastewater and/or storm sewer conveyance systems? *Schedule A.3.c.v.B*

Yes No NA

If necessary, provide an explanation:

An old cross connection was discovered by investigating a dry weather flow. When the property had been built the lateral was connected to the wrong pipe. The old lateral was permanently capped and a replacement had to be laid and connected to the correct sewer line.

68. Provide the number of illicit discharges that were referred to another entity during this reporting year. *Schedule A.3.c.v.C*

Number: 1

69. On average, how long did it take to notify the entity(s)?

In working days: 1

if necessary, provide an explanation:

70. Indicate which of the following are included in the complaints or reports tracking documentation: *Schedule A.3.c.v.D*

- Date the complaint was received and, if available, the complainant's name and contact information
- Name of staff responding to the complaint
- Date the investigation was initiated
- The outcome of the staff investigation
- Corrective action(s) taken to eliminate the illicit discharge
- The responsible party for the corrective action(s)
- The status of enforcement procedure(s), when necessary
- The date the corrective action(s) was completed and staff who evaluated final compliance

If necessary, provide an explanation:

71. Provide percentage of outfalls inspected. *Schedule A.3.c.vi.A/B*

Known outfalls screened this reporting year: 100%

72. Known outfalls screened during the permit term: 100%

If necessary, provide an explanation:

73. Provide percentage of outfalls inspected as part of field screening of priority location. *Schedule A.3.c.vi.C*

Priority location outfalls screened this reporting year: 100%

74. Priority location outfalls screened during the permit term: 100%

If necessary, provide an explanation:

75. Indicate which of the following dry-weather field screening activities have been performed in the last year: *Schedule A.3.c.vi*

- General observation
- Field Screening and Analysis
- Pollutant Parameter Action Levels
- Laboratory Analysis

If necessary, provide an explanation:

For the dry weather flows investigated during the reporting year, it was possible to identify the source of flows without any testing.

76. If flow is observed and the source is unknown, provide a brief description of the field investigation and analysis process. *Schedule A.3.c.vi.D-G*

Observations will be made and documented at the outfall. Then, operators will attempt to follow the flow upstream, looking in ditches, manholes, etc. as necessary to find a point as close to the origin as possible. A point closest to the source will be documented with any relevant observations and marked in GIS. If the source cannot be identified in this way, the flow will be screened in the field for pH, temperature, specific conductance, and dissolved oxygen. Action levels have not been defined yet. If action levels are exceeded, samples will be taken and analyzed at a laboratory to characterize and attempt to identify the source of the flow. These analyses will be determined on a case by case basis in collaboration with the laboratory and any other outside counsel that may be able to sharpen the focus of the investigation.

77. Have pollutant parameter action levels been established and are they included as an attachment? *Schedule A.3.c.vi.F*

Yes No

(For Existing Registrant must be submitted with the third Annual Report. New Registrants must submit by September 1, 2023 and February 28, 2024 for Albany, Corvallis, Millersburg, Springfield and Turner))

If necessary, provide an explanation:

The levels have not been updated into the SWMP yet, they are not attached here.

78. Are all persons responsible for investigating and eliminating illicit discharges and illicit connections into the MS4 appropriately trained to conduct such activities? *Schedule A.3.c.vii*

Yes No

If necessary, provide an explanation:

79. Are all new staff working to implement the IDDE program trained within 30 days of their assignment to this program? *Schedule A.3.c.vii*

Yes No

If necessary, provide an explanation:

Construction Site Runoff Control

80. Provide a brief summary of the overall progress towards implementation of this control measure. *Schedule A.3.d*
Marion County has a strongly written construction erosion and sediment control ordinance. We have recently developed a written policy for the escalating enforcement procedure to standardize our response. We are currently improving our inspection procedures to facilitate better tracking and documentation in accordance with new permit requirements. The minimum size to require an erosion control plan, and inspections, needs to be updated in the ordinance, this must be approved by the Board of Commissioners, and is a process that we have begun.

81. Were the required components in place by the implementation date? *Schedule A.3.d.i*

Yes No (Implementation date: Feb. 28, 2023 for Existing Registrants, Sept. 1, 2023 for New Registrants and February 28, 2024 for Albany, Corvallis, Millersburg, Springfield and Turner)

82. Do ordinances or other regulatory mechanisms require erosion controls, sediment controls, and waste materials management controls to be used and maintained at all qualifying construction projects? *Schedule A.3.d.ii*

Yes No NA

If necessary, provide an explanation:

Ordinance: 1307 and 1316, Code Section: Title 15 Section 10

83. Indicate the minimum land disturbance where construction site operators are required to complete and implement an Erosion and Sediment Control Plan (ESCP) for construction project sites: *Schedule A.3.d.ii*

In square feet or portion of an acre: 1 ft² , acres

If necessary, provide an explanation:

84. For construction projects that disturb one or more acres (or that disturb less than one acre, if it is part of a "common plan of development or sale" disturbing one or more acres), provide a brief description how these projects are referred to DEQ or the appropriate DEQ agent, to obtain a NPDES Construction Stormwater General Permit. *Schedule A.3.d.iii*

Prior to issuance of Marion County associated permits for the project, such as building permit(s) or right-of-way permit(s), proof of coverage under a DEQ or other appropriate administering agent is required. If requested by the developer, contact information for the appropriate agency is provided.

85. Provide the written specifications that address the proper installation and maintenance of such controls during all phases of construction activity as an attachment *Schedule A.3.d.iv*

Attached: Yes No

If necessary, provide an explanation:

86. Provide the Erosion and Sediment Control Plan template as an attachment. *Schedule A.3.d.iv.A*

Attached: Yes No

If necessary, provide an explanation:

87. Indicate which of the following are required for qualifying construction projects: *Schedule A.3.d.iv*

- Site operator required to complete a ESCP template or worksheet prior to beginning construction/land disturbance
- Site operator required to keep the ESCP on site
- Site operator required to maintain and update the ESCP as site conditions change, or as needed.
- Site operator required to provide the ESCP to the permit registrant, DEQ, or another administrating entity

If necessary, provide an explanation:

88. ESCPs [from construction projects that will result in land disturbance of one or more acres (or that disturb less than one acre, if it is part of a “common plan of development or sale” disturbing one or more acres)] are reviewed using a checklist or similar document to determine compliance. *Schedule A.3.d.v*

Yes No

89. Provide the ESCP review template or checklist as an attachment. *Schedule A.3.d.v*

Attached: Yes No

90. Indicate the minimum land disturbance where you require the ESCP to be reviewed, if different than one acre:

ft² , acres

If necessary, provide an explanation:

91. All construction projects [that will result in land disturbance of one or more acres (or that disturb less than one acre, if it is part of a “common plan of development or sale” disturbing one or more acres)] are expected or scheduled to be inspected at least once per permit term. *Schedule A.3.d.vi.A.1*

Indicate the number of inspections completed to comply with this requirement during this reporting year: 25

Indicate the number of inspections completed to comply with this requirement during the permit term: 49

If necessary, provide an explanation:

92. Are construction projects with visible sediment in stormwater/dewatering discharge or when a complaint is received inspected? *Schedule A.3.d.vi.A.2*

Yes No

93. Indicate number of projects that were inspected based on this inspection trigger: 1

If necessary, provide an explanation:

A complaint was received from a neighbor on a residential home project off Viewcrest Road.

94. Indicate the total number of construction projects that were inspected this monitoring year: 18

95. Indicate the total number of construction projects that were inspected during the permit term: 39

96. Indicate which of the following are documented during an inspection: *Schedule A.3.d.vi.B*

- That the ESCP is reviewed to determine if the described
- Control measures were installed, implemented, and maintained appropriately
- Assessment of the site’s compliance with the ordinances or requirements
- Visual observation of any existing or potential non-stormwater discharges, illicit connections, and/or discharge of pollutants from the site
- Recommendations to the construction site operator for follow-up
- Education or instruction provided to the site operator related to stormwater pollution prevention practices

If necessary, provide an explanation:

97. If available, provide a copy of the written or electronic inspection report form. *Schedule A.3.d.vi.B*

Attached: Yes No

98. For Existing Large Communities: Indicate the number of new construction projects inspected that disturb less one acre during this monitoring year. Is this number at least 25% of the qualifying new construction sites? *Schedule A.3.d.vi.C*

If necessary, provide an explanation: na

99. Provide the written escalating enforcement and response procedure as an attachment. *Schedule A.3.d.vii*

Yes No

(For Existing Registrant must be submitted with the third Annual Report. Sept. 1, 2023 for New Registrants and February 28, 2024 for Albany, Corvallis, Millersburg, Springfield and Turner)

If necessary, provide an explanation:

100. Was the escalating enforcement procedure used to achieve compliance at any construction projects? *Schedule A.3.d.vii*

Yes No

Indicate number of times during this reporting year:0

101. Indicate number of times during the permit term: 1

If necessary, provide an explanation:

1 instance of escalating enforcement from the previous reporting year.

102. Were all persons responsible for ESCP reviews, site inspections, and enforcement appropriately trained to conduct such activities? *Schedule A.3.d.viii*

Yes No

If necessary, provide an explanation:

103. Were all new staff working to implement the construction site runoff control program appropriately trained within 30 days of their assignment to this program? *Schedule A.3.d.viii*

Yes No

Post-Construction Site Runoff for New Development and Redevelopment

104. Provide a brief summary of the overall progress towards implementation of this control measure. *Schedule A.3.e*

We have been working with a consultant on the development of a new Engineering Standards document. The material has been discussed with the Marion Water Quality Advisory Committee who will continue to be included in review of the document as it develops. The document is in the first draft stage. We plan to try and have it finished and approved by the Board of Commissioners with a year left which we can use to educate the development community about new requirements and standards.

105. Were the required components in place by the implementation date? *Schedule A.3.e.i*

Yes No ((Implementation date: Feb. 28, 2023 for Existing Registrant, Sept. 1, 2023 for New Registrants and February 28, 2024 for Albany, Corvallis, Millersburg, Springfield and Turner)

106. For projects creating or replacing impervious area, indicate the area (or threshold) where the site is required to implement the post-construction site runoff program requirements: *Schedule A.3.e.ii*

In square feet: 21,780 ft²

If necessary, provide an explanation:

Stormwater detention requirements are triggered at 0.5 acres of impervious surfaces per our 1990 Engineering Standards. Water quality treatment requirements are triggered at 1 acre of disturbance within the County's Stormwater Management Area. New standards are currently in development and will meet the updated permit requirements.

107. Indicate which of the following are required at qualifying sites: *Schedule A.3.e.ii*

- The use of structural stormwater controls
- A site-specific stormwater management approach that targets natural surface or predevelopment hydrological function through the installation and long-term operation and maintenance of stormwater controls
- Long-term O&M of stormwater controls at project sites that are under the ownership of a private entity

If necessary, provide an explanation:

108. Were ordinance(s), code(s) and development standards reviewed to identify, minimize or eliminate barriers that inhibit design and implementation techniques intended to minimize impervious surfaces and reduce stormwater runoff? *Schedule A.3.e.iii*

Yes No

109. If barriers were identified or if necessary, provide an explanation:

A preliminary review has been conducted to identify major potential barriers. A more broad based review will be completed as the program implementation continues.

110. Provide an explanation of the timeline for removal of barriers or if removal is outside your authority:

Per our Stormwater Management Plan we are looking to start the process no later than February 2022 and have the program meet permit requirements no later than February 2023.

111. Indicate which of the following technical standards are used to determine the retention requirement: *Schedule A.3.e.iv.A*

- Volume-based method
- Storm event percentile-based method
- Annual average runoff-based method

If necessary, provide an explanation:

112. For projects that are unable to meet the retention requirement, is the remainder of the rainfall/runoff treated prior to discharge with a structural stormwater control? *Schedule A.3.e.iv.B*

Yes No

113. Was the stormwater structural control designed to remove, at minimum, 80 percent of the total suspended solids?

Yes No

If necessary, provide an explanation:

The update to Marion County Stormwater Engineering Standards is underway, and the permit requirements will be met by the deadline.

114. Are the allowable structural stormwater controls and specifications available for review? *Schedule A.3.e.iv.C*

Yes No

115. Indicate if they are attached or the location where they can be viewed:

Attached

Location: <https://www.co.marion.or.us/PW/Engineering/engineeringstandards>

See "2012 Interim Stormwater Quality Treatment Engineering Standards"

If necessary, provide an explanation:

116. Have alternatives for projects complying with the retention requirement been approved? *Schedule A.3.e.iv.D*

Yes No

117. If yes, are the written technical justifications evaluated? *Schedule A.3.e.iv.D*

Yes No

118. Provide a brief description of the factors of technical infeasibility or site constraints that prevented the on-site management of the runoff amount stipulated in the stormwater retention requirement or a portion thereof.
Schedule A.3.e.iv.D

Not applicable at this time. Per Section V.A.2.a of the 1990 Engineering Standards "This requirement may be waived if the applicant can show that it is not effective for the basin as a whole." We currently have no other exemptions for the retention/detention requirement in the event it cannot be met. This will be updated to meet permit requirements as part of the Stormwater Engineering Standards project.

119. Before the allowance of alternative compliance, were mitigation options established? *Schedule A.3.e.iv.D*

Yes No

If necessary, provide an explanation:

Not applicable at this time as no alternative compliance has been allowed.

120. If applicable, indicate which of the following mitigation options have been used and provide a narrative description of the implementation of the mitigation option? *Schedule A.3.e.iv.D*

Off-Site Mitigation

Off-Site Groundwater Replenishment Projects

If necessary, provide an explanation:

Not applicable at this time as no alternative compliance has been allowed and therefore no mitigation options have been used.

121. Was a procedure developed for the review and approval of structural stormwater control plans for new development and redevelopment projects? *Schedule A.3.e.v*

Yes No

If necessary, provide an explanation:

122. Indicate the minimum land disturbance or creation of new impervious area where plans are required to be reviewed: 0.5 ft² , acres of land disturbance creation of new impervious area

123. Are all sites that use alternative compliance to meet the retention requirement reviewed?

Yes No

If necessary, provide an explanation:

124. Indicate if an inventory and implementation strategy is used to ensure that all stormwater controls are operated and maintained to meet the site performance standard in Schedule A.3.e.iv of the permit? *Schedule A.3.e.vi*

Yes No

If necessary, provide an explanation:

125. Indicate which of the following strategies have been developed to ensure that all stormwater controls are operated and maintained to meet the site performance standard in Schedule A.3.e.iv. *Schedule A.3.e.vi*

- Legal authority to inspect and require effective operation and maintenance of privately owned and operated stormwater controls
- Inspection procedures and an inspection schedule to ensure compliance with the O&M requirements of each stormwater control operated by the permit registrant and by other private entities
- A tracking mechanism for documenting inspections and the O&M requirements for each stormwater control
- Reporting requirements for privately owned and operated stormwater controls that document compliance with the O&M requirement in Schedule A.3.f.

If necessary, provide an explanation:

We are working on implementing standard inspection procedures, an inspection schedule, a tracking mechanism for tracking these inspections and O&M requirements, as well as reporting requirement for privately owned and operated stormwater controls. These will be implemented no later than February 28, 2023. All On-site Stormwater Discharge permits contain the language "Provide to County inspectors the continuous access to the property and detention system to inspect the maintenance of the system and the proper operation as approved", granting legal authority for us to inspect and require effective O&M of privately owned and operated controls.

126. Are the location of all public and private stormwater controls installed during this permit term documented on the MS4 Map? *Schedule A.3.e.vi*

Yes No

If necessary, provide an explanation:

We are continuously updating our GIS map to include public and private stormwater controls as we find undocumented existing controls and as new ones are developed.

127. Were all persons responsible for performing post-construction runoff site plan reviews, administrating the alternative compliance program, or performing O&M practices or evaluating compliance with long-term O&M requirements appropriately trained to conduct such activities? *Schedule A.3.e.vii*

Yes No

If necessary, provide an explanation:

128. Were all new staff working to implement the post-construction site runoff for new development and redevelopment program appropriately trained within 30 days of their assignment to this program? *Schedule A.3.e.vii*

Yes No

If necessary, provide an explanation:

Pollution Prevention and Good Housekeeping for Municipal Operations

129. Provide a brief summary of the overall progress towards implementation of this control measure. *Schedule A.3.f*
Staff created and launched a computerized training on best management practices for clean water available to all Public Works staff, but mandatory for anybody in a maintenance position. This training covers clean water regulations, defines stormwater and pollutants, discusses beneficial uses for clean water, goes over best management practices for field/shop work, and has an entire section devoted to erosion and sediment control. The training is hosted on the county's learning management system and has each staff member scheduled to take the course within 30 days of hire (usually done in the first two days during new employee onboarding) and then again once every five years. A consultant has been hired to help identify standards for erosion control, which will be used for all operations and maintenance.

130. Were the required components in place by the implementation date? *Schedule A.3.f.i*

Yes No (Implementation date: Feb. 28, 2022 for Existing Registrants, Sept. 1, 2023 for New Registrants and February 28, 2024 for Albany, Corvallis, Millersburg, Springfield and Turner)

131. Were O&M strategies for existing controls developed for both permit registrant-owned controls and controls owned and operated by another entity discharging to the MS4? *Schedule A.3.f.ii*

Yes No N/A

If necessary, provide an explanation:

132. Indicate the percentage of catch basins inspected/cleaned: *Schedule A.3.f.iii*

Percentage inspected this reporting year: 24% ; Percentage cleaned: 24%

133. If known, estimate of material removed: units

134. Percentage inspected during the permit term: 52% ; Percentage cleaned: 52%

135. If known, estimate of material removed: units

If necessary, provide an explanation:

1427 catch basins were cleaned in this reporting year.

136. Indicate if a catch basin inspection prioritization system and/or an alternate inspection frequency has been established. *Schedule A.3.f.iii*

Yes No

If necessary, provide an explanation:

Historically the 2 person crew goes through half the system cleaning catch basins s and documenting pipe condition each summer. We go by neighborhood, trees, age of system, and some are complaint driven.

137. During the permit term were existing procedures for inspection and maintenance schedules reviewed/updated to ensure pollution prevention and good housekeeping practices were conducted for the following activities? *Schedule A.3.f.iv*

- Pipe cleaning for stormwater and wastewater conveyance systems
- Cleaning of culverts conveying stormwater in roadside ditches
- Ditch maintenance
- Road and bridge maintenance
- Road repair and resurfacing including pavement grinding
- Dust control for roads and municipal construction sites
- Winter road maintenance, including salt or de-icing storage areas
- Fleet maintenance and vehicle washing
- Building and sidewalk maintenance including washing
- Solid waste transfer and disposal areas
- Municipal landscape maintenance
- Material storage and transfer areas, including fertilizer and pesticide, hazardous materials, used oil storage, and fuel
- Firefighting training activities
- Maintenance of municipal facilities including public parks and open space, golf courses, airports, parking lots, swimming pools, marinas, etc.

If necessary, provide an explanation:

138. Do any permit registrant-owned facilities have coverage under DEQ's 1200-Z Industrial Stormwater Discharge Permit? *Schedule A.3.f.v*

Yes No NA

If "Yes", provide DEQ File Number(s): 103964

If necessary, provide an explanation:

Not inside the SWMA

139. Are practices in place to reduce the discharge of pollutants to the MS4 associated with the application and storage of pesticides and fertilizers? *Schedule A.3.f.vi*

Yes No

If necessary, provide an explanation:

140. Are methods/practices in place to reduce the discharge of litter within the jurisdiction? *Schedule A.3.f.vii*

Yes No

If necessary, provide an explanation:

141. Are practices in place to ensure that collected material or pollutants removed in the course of maintenance are managed and disposed of in a manner such as to prevent such pollutants from entering the waters of the state in accordance with state and federal rules? *Schedule A.3.f.viii*

Yes No

If necessary, provide an explanation:

142. Were all persons responsible for evaluating O&M practices, evaluating compliance with long-term O&M requirements or ensuring pollution prevention at facilities and during operations appropriately trained to conduct such activities? *Schedule A.3.f.ix*

Yes No

If necessary, provide an explanation:

143. Were all new staff working to implement the pollution prevention and good housekeeping for municipal operations program appropriately trained within 30 days of their assignment to this program? *Schedule A.3.f.ix*

Yes No

If necessary, provide an explanation:

Monitoring

If the requirement does not apply, mark "NA" and explain why it does not apply to you in the comments field.

144. Was municipal stormwater monitoring performed at outfall locations, in the receiving waterbody, or to demonstrate compliance with this permit? *Schedule B.3*

Yes No

145. If "Yes" is the data included in the Annual Report?

Yes No

If necessary, provide an explanation:

Na, this was not performed.

Wood Village Monitoring Requirements

146. Provide a summary of the following to evaluate the control strategies established for the Lower Columbia Slough Phosphate, Lead, and Bacteria TMDLs: *Schedule D.1.b*

Phosphate:

Lead:

Bacteria:

147. Indicate which of the following were completed:

- For phosphate, monitor influent and effluent dissolved orthophosphate concentrations and total phosphate concentrations at a representative site in Fairview Lake (Reach 4) and Fairview Creek (Reach 5)
- For lead, estimates of the effectiveness of controls to remove TSS
- For bacteria, measuring E. coli concentrations and its distribution over flows (for example, flow duration intervals) to demonstrate compliance with E. coli criteria

If necessary, provide an explanation:

Water Quality Standards

148. During this monitoring year was it determined or reported that the MS4 discharge caused or contributed to an exceedance of an applicable water quality standard? *Schedule A.1.b*

Yes No

If necessary, provide an explanation:

149. How and when did the exceedance of an applicable water quality standard occur? *Schedule A.1.b*

If necessary, provide an explanation:

na

150. Was the exceedance self-reported or did DEQ send written notification? *Schedule A.1.b*

Self-reported: Yes No

If necessary, provide an explanation:

na

151. Within 48 hours was an investigation started into the cause of the water quality exceedance? *Schedule A.1.b.i*

Yes No

If necessary, provide an explanation:

na

152. Within 30 days of becoming aware of the exceedance, was DEQ notified in writing, if self-reporting? *Schedule A.1.b.ii*

Yes No

If necessary, provide an explanation:

na

153. Within 60 days of becoming aware of or being notified of the exceedance, was a report submitted to DEQ that documents the following: *Schedule A.1.b.iii*

- The results of the investigation, including the date the exceedance was discovered
- A brief description of the conditions that triggered the exceedance or the cause
- Corrective actions taken or planned, including the date corrective action was completed or is expected to be completed

If necessary, provide an explanation:

na

154. Were the corrective actions implemented in accordance with the schedule approved by DEQ? *Schedule A.1.b*

Yes No

If necessary, provide an explanation:

na

155. Provide any additional comments or narrative description, if necessary:

na

Table of Contents

Section 2.6 Stormwater Management Program Information

Stormwater Management Plan (<i>Question 20</i>)	2
--	----------

Section 3.3 Illicit Discharge Detection & Elimination

Stormwater Management Area (<i>Question 53</i>)	26
--	-----------

GIS Outfalls Map (<i>Question 55</i>)	27
--	-----------

Section 3.4 Construction Site Runoff Control

Erosion Controls (<i>Question 86</i>)	29
--	-----------

Erosion Control Plan Template(<i>Question 87</i>)	61
--	-----------

Erosion & Sediment Control Inspection Checklist (<i>Question 90</i>)	67
---	-----------

Erosion & Sediment Control Permit Example (<i>Question 99</i>)	72
---	-----------

Construction Erosion & Sediment Control Enforcement (<i>Question 101</i>)	76
--	-----------

2.6 Stormwater Management Program Information

Stormwater Management Plan

Question 20

2019-2024

Stormwater Management Plan



Kaileigh Westermann-Lewis updated by Alex
Wade
Marion County
2019-2024

This page intentionally left blank.

Table of Contents

Background	1
Revisions	1
Minimum Control Measure 1: Education & Outreach.....	2
BMPs	2
Measurable Goals	3
Responsible Person(s):.....	3
Rationale	3
Minimum Control Measure 2: Public Involvement.....	4
BMPs	5
Measurable Goals	5
Responsible Person(s)	5
Rationale	6
Minimum Control Measure 3: Illicit Discharge Detection and Elimination	6
BMPs	6
Measurable Goals	8
Responsible Person(s)	9
Rationale	9
Minimum Control Measure 4: Construction Site Runoff Control	10
BMPs	10
Measurable Goals	11
Responsible Person(s)	11
Rationale	11
Minimum Control Measure 5: Post-Construction Site Runoff Control.....	12
BMPs	12
Measurable Goals	13
Responsible Person(s)	13
Rationale	14
Minimum Control Measure 6: Pollution Prevention and Good Housekeeping for Municipal Operations	14
BMPs	15
Measurable Goals	16
Responsible Person(s)	16
Rationale	17

Background

Marion County has been implementing the NPDES MS4 Phase II permit since 2007. Because the permit has changed from an individual permit to a general permit, many of the BMPs to the existing program are undergoing changes to fit within the new permit requirements. These adjustments will occur when work is completed on the specific minimum control measure.

The Stormwater Management Area (SWMA) for Marion County corresponds with the U.S. Census Bureau-designated “Urbanized Area”. These areas are developed from census data relating to population densities and census blocks. Within this “Urbanized Area” Marion County is responsible for an urbanized fringe around Keizer, Turner, and Salem. Though it is designated as an urbanized area, the land uses include agricultural, commercial, multifamily residential, single family residential, and rural residential areas. **SWMA Vital Statistics**

SWMA Area	Acres	Properties
Inside ESSD	3,407	9,344
Outside ESSD	5,182	2,068
<i>Totals</i>	<i>8,589</i>	<i>11,412</i>

(ESSD – East Salem Service District)

The SWMA includes portions of the following watersheds:

- Claggett Creek
- Little Pudding River
- Mill Creek (including Battle Creek)
- Croisan Creek

Revisions

Revisions of the SWMP document must be completed annually. Once revision is complete, please sign and date when the revisions are approved.

Due Date	e-Sign & Date
November 2021	Alex Wade October 2021
November 2022	
November 2023	
November 2024	

Minimum Control Measure 1: Education & Outreach

Goal

- 1.) Inform the public, businesses, construction operators and other stakeholders about the impacts of stormwater pollution on our waterways
- 2.) Provide these audiences with steps and/or actions that will reduce pollutants in stormwater runoff
- 3.) Understand which local behaviors and practices cause and contribute to stormwater pollution and work to reduce selected behaviors

The program will provide education and outreach using methods that are appropriate for the desired audiences. Some of these methods may include social media messaging, brochures or handouts, in-person event outreach or presentations and trainings.

BMPs

- a. **EO-1:** Look out for new priority topics that impact water quality locally. The following topics will be considered priority topics to be addressed during outreach campaigns over the course of the permit term. Topics can and do include Impacts of illicit discharges and how to avoid and report them
- b. Impacts from impervious surfaces and to avoid them
- c. Practices for proper use and storage of pesticides, herbicides, and fertilizers
- d. Practices to reduce litter
- e. Practices for recycling programs
- f. Practices for power washing, carpet, cleaning, auto repair and maintenance
- g. Low impact development and green infrastructure
- h. Potential impacts of septic systems and practices for maintenance
- i. Watershed awareness
- j. Storm drain awareness and connectivity to local rivers and streams
- k. Other stormwater issues of significance
- l. Mercury in sediments and impacts

EO-2: Offer at least two educational messages or activities a year that address the County's priority topics created from EO-1.

EO-2a: Offer at least one educational message or activity from the priority list to the general public, homeowners, students, or businesses over the permit term.

EO-2b: Offer at least one educational message or activity from the priority list to local elected officials, land use planners or engineers over the permit term.

EO-2c: Offer at least two educational messages or activities to construction site operators over the permit term that addresses any of the following topics:

- a. Appropriate selection, design, installation and use of onsite stormwater controls as outlined by Marion County ordinances
- b. Appropriate maintenance of onsite stormwater controls as outlined by Marion County ordinances

EO-3: Implement one assessment or evaluation on an education and outreach activity to determine how effective the activity was at conveying the material to the intended audience.

Measurable Goals

BMP	Milestones	Start	Finish	Deliverables
EO-1	Stay tuned to new priority topics			•
EO-2a-c	<ul style="list-style-type: none"> • Offer 2 messages annually • Offer messages in Spanish 	Mar. 2019	Feb. 2024	<ul style="list-style-type: none"> • Priority topic covered, method, audience type, estimated reach
EO-6	<ul style="list-style-type: none"> • Determine type of assessment & activity to assess • Implement assessment • Implement findings in following year 	Feb 2020	Nov. 2020	<ul style="list-style-type: none"> • Assessment metric, summary of how the activity was considered successful

Responsible Person(s):

The majority of outreach activities are designed and implemented by an Environmental Specialist who is supervised by the Environmental Services Program Supervisor. Some outreach activities may involve other groups within Public Works or other entities, but will be coordinated through an Environmental Specialist. All environmental services activities are approved and overseen by the Environmental Services Division Manager and the Public Works Director.

Rationale

EO-1: The County has utilized social media to share around 10-15 educational messages annually. However, it is challenging to measure the impact of those messages. In order to promote behavior change, staff will develop a list of 3-5 behaviors negatively impact water quality locally. Staff will concentrate on creating in-depth messages and activities that target those behaviors throughout the permit term. Focusing in-depth on a small number of topics will promote lasting behavior change.

EO-2: By distributing at least two educational messages or activities a year, the County will be fulfilling the general permit requirements. Additionally, by focusing messages on the County identified priority topics, the messaging will be more impactful.

EO-2a: The County currently focuses heavily on distributing most of their educational messages to the public through the use of social media. Going along with EO-1, during this permit term, staff should identify priority topics to promote through social media. Staff should also coordinate social media messaging with other activities in an effort to have a greater impact. Finally, staff should continue to provide messaging in Spanish since a large percent of the population living in the SWMA speak Spanish.

EO-2b: Historically, the County has reached land use planners through the Point of Contact program by handing out brochures and informational pamphlets. During this permit term, staff should work with the Land Development Planning and Engineering group and the Marion Water Quality Advisory Committee (MWQAC) to identify priority topics to focus on annually and the best methods for distributing those messages. As updates are made to the engineering standards and thresholds tightened for construction erosion, these topics should be specifically targeted to construction operators.

Typically, methods for reaching elected officials have been through updates to the Board of Commissioner as issues arise. This approach meets the permit requirements. However, staff should consider identifying other possible ways of sharing educational messages with County public officials in a less formal way, to keep them abreast of concerns and successes.

EO-2c: The County has been successful in reaching Construction Site Operators through the yearly Erosion Control Summit in partnership with the Mid-Willamette Outreach Group. Continued participation in the development of the summit should be pursued, but if other opportunities arise to reach this audience, they should be considered as well.

EO-3: While the County has conducted informal evaluations of outreach programs, these evaluations do not typically inform future outreach activities. At least one program, message, or activity shall be evaluated each year for effectiveness.

Minimum Control Measure 2: Public Involvement

Goal

- 1.) Provide adequate opportunity for the public to participate in the development of the SWMP control measures and programs

The program will utilize a variety of methods to make the public aware of opportunities to participate in the development of implementation plans. It will also encourage participation from diverse groups within the community.

BMPs

PI-1: Maintain and promote a publicly accessible website that includes the following information:

- a. SWMP
- b. Contact information
- c. Educational materials
- d. Illicit discharge reporting procedures
- e. Links to ordinances and policies related to stormwater control programs

PI-2: Utilize the Marion Water Quality Advisory Committee (MWQAC) to develop the SWMP and SWMP programs.

PI-3: Create stewardship opportunities for the public. These could include:

- a. Stream team activities
- b. Storm drain marking
- c. Volunteer monitoring
- d. Riparian plantings or stormwater facility enhancement
- e. Neighborhood low-impact development
- f. Adopt-a-road
- g. Citizen advisory committee
- h. Other locally relevant opportunities

Measurable Goals

BMP	Milestones	Start	Finish	Deliverables
PI-1	<ul style="list-style-type: none"> • Conduct an annual revision and update 	Mar. 2019	Feb. 2020	<ul style="list-style-type: none"> • Number of site visits to each page • Date of revision & update
PI-2	<ul style="list-style-type: none"> • Host quarterly MWQAC meetings • Provide opportunities for input 	Mar. 2019	Feb. 2024	<ul style="list-style-type: none"> • Meeting dates, agendas, number of attendees
PI-3	<ul style="list-style-type: none"> • Develop stewardship opportunity • Implement activity 	Mar. 2019	Feb. 2024	<ul style="list-style-type: none"> • Summary of opportunities, relevant dates, numbers of participants

Responsible Person(s)

The majority of outreach activities are designed and implemented by an environmental specialist who is supervised by the Environmental Services Program Supervisor. All environmental services activities are approved and overseen by the Environmental Services Division Manager and the Public Works Director.

Rationale

PI-1: The County currently maintains and operates a publically accessible website that meets current permit standards, however improvements could be made to increase the organization and relatability of the content. Staff should periodically make updates to the site that will add educational value as well as make the site easier to navigate. Additionally, the most recent versions of the SWMP, illicit discharge reporting protocol and County Ordinances will be added as they are updated.

PI-2: During previous permit cycles, County staff met with the MWQAC to develop and review proposed ordinance changes and found great value in their feedback. Staff should continue to utilize this public group by meeting with them quarterly. These meetings should provide updates and assess programmatic needs. Staff will rely heavily on the MWQAC for their input on the SWMP, ordinance updates and other protocol that are being updated as a result of the general permit.

PI-3: The County has typically relied on the Adopt-a-Road program to fulfill the permit stewardship requirements; however they have seen recent success hosting volunteer litter clean ups and storm drain marking events. In order to see continued success and attendance at stewardship events, it will be important to continue to cultivate engagement of volunteers. Staff will work with the Volunteer Services coordinator to develop a list of potential volunteers and will continue to implement at least one of those stewardship opportunities yearly to exceed permit requirements.

Minimum Control Measure 3: Illicit Discharge Detection and Elimination

Goal

- 1.) Implement and enforce a program that detects and eliminates illicit discharges into the MS4

The program will prohibit non-stormwater discharges into the MS4 through the enforcement of a County ordinance or other regulatory method.

BMPs

IDDE-1: Update and maintain a current map and digital inventory of the MS4 including the following:

- a. Outfalls
- b. Conveyance system
- c. Stormwater control locations
- d. Chronic illicit discharges
- e. Dry weather flows

In addition to the map, there must also be an outfall inventory with all the known outfall locations. The inventory must include a unique identifier (i.e. alphanumeric code), any geographic information necessary to find the outfall in the field and the name(s) of the receiving water(s).

IDDE-2: Implement the existing Stormwater Discharge Quality Control Ordinance (#1311) to reflect the conditions of the general permit.

IDDE-3: Develop and implement an IDDE Response Plan that includes the following:

- a. An internal and external IDDE reporting system
- b. Timelines for response and investigation
- c. Documentation and tracking procedures

IDDE-4: Develop and implement an IDDE Enforcement Plan that includes the following:

- a. Timelines for compliance
- b. Progressively stricter responses for repeat violations

IDDE-5: Develop and implement a dry weather screening schedule.

IDDE-6: Implement an IDDE training program for all potential response staff.

Measurable Goals

BMP	Milestones	Start	Finish	Deliverables
IDDE-1	• Create unique IDs for stormwater assets in GIS	Aug. 2019	Aug. 2020	<ul style="list-style-type: none"> • Unique IDs • Updated map & outfall inventory
	• Conduct GIS analysis to determine missing information	Aug. 2019	Aug. 2023	
	• Update missing information on GIS layers			
	• Create an outfall inventory			
	• Continually update MS4 map and stormwater assets			
IDDE-2	• Implement Ordinance	Jan. 2022	July, 2022 Jan. 2023	
IDDE-3	• Update IDDE reporting system	July 2021	Jan. 2022	<ul style="list-style-type: none"> • Updated response procedure
	• Update IDDE response and documentation procedures		Jan. 2022	
IDDE-4	• Evaluate current enforcement procedures	Jan. 2020	July 2020	<ul style="list-style-type: none"> • Enforcement procedure guidance document
	• Develop new IDDE enforcement procedures	Jan. 2020	July 2020	
		June 2021	Feb. 2022	
		June 2022	Feb. 2023	
		June 2023	Feb. 2024	
IDDE-5	• Develop a dry weather screening schedule	Annual ly	<ul style="list-style-type: none"> • Tra • inin • g • mat • eria • ls • Agend • a & • Sign- • In • Sheets 	<ul style="list-style-type: none"> • Schedule • Pollutant parameter document • GIS layer
	• Develop pollutant parameters for response			
	• Complete 40% dry weather screening in the MS4			
	• Complete 60% dry weather screening in the MS4			
	• Complete 80% dry weather screening in the MS4			
IDDE-6	• Develop IDDE training			<ul style="list-style-type: none"> • Training materials • Agenda & Sign-In Sheets
	• Host trainings for relevant staff			

Responsible Person(s)

The illicit discharge program has traditionally been run as a coordinated effort between the Public Works Dispatch staff, the stormwater crew and Environmental Specialists. Dispatch collects and documents complaints; Stormwater crews will investigate where appropriate; Environmental Specialists will investigate and respond.

Rationale

IDDE-1: While the County currently maintains a GIS database that includes features such as the storm drains, pipes and most outfalls, the general permit also requires additional features that are currently not mapped. Staff will work to update the mapping of ditches and outfalls, create unique IDs for all features, and begin mapping illicit discharge and dry weather monitoring sites. To stay in compliance, staff should continue to update new features as they are added to the MS4.

IDDE-2: In 2003 the County implemented East Salem Service District (ESSD) Ditch Maintenance Ordinance (#1174) which prohibits the dumping of solid waste, discarded items, or yard debris into ESSD ditches. While this ordinance only serves one portion of the SWMA and is not the main ordinance to prohibit illicit discharge, it can be used for IDDE purposes and thus should be reviewed for inconsistencies with the general permit. Under the conditions of the general permit, the ordinance must define the range of illicit discharges it covers. New activities may need to be added to the ordinance.

In 2011, the County implemented the Stormwater Discharge Quality Control Ordinance (#1311) in order to meet the illicit discharge terms of the previous individual permit. Because the range of illicit discharges in the general permit has changed, this ordinance should be reviewed to update the definitions and prohibited activities. In addition, the general permit requires the ordinance to include enforcement procedures. The enforcement procedures in the existing ordinance are not adequate to meet the new conditions. Staff will provide recommendations and refer to Legal Counsel for the best course of action.

The requirements of Ordinances 1174 and 1311 are part of Marion County Code chapter 15.15, “stormwater discharge quality control”. This makes the required prohibitions within the SWMA. For compliance with the NPDES MS4 general permit for Phase 2 permittees, this does not require updating. The water quality management plan from the updated mercury TMDL for the Willamette River does have extra provisions which should be met through expansion of this code, or a similar code to all county owned assets and property. This will be evaluated for the appropriate approach.

IDDE-3: The County currently has a response and documentation procedure that fulfills the previous individual permit. However, the general permit has required response times that need to be met.

To meet the requirements of the new general permit, a guidance document for escalating enforcement will be written that addresses progressive enforcement response and meets the permit requirements. **IDDE-4:** The County currently routes illicit discharge complaints through the Public Works Dispatch, however not all internal and external reports are captured and documented the same way. For consistency and proper documentation, a standard reporting and investigation procedure should be developed. Additionally, the general permit requires the County to publicize a method for reporting illicit discharge 24/7, so an appropriate system will need to be established. Additionally, staff will need to develop an updated protocol for documentation and tracking.

IDDE-5: In the past, the County has conducted informal dry weather monitoring throughout the course of regular maintenance activities, but no written protocol or documentation have been developed. Documenting priority locations for monitoring is a requirement of the general permit. In order to meet the requirements of the permit, the County will need to develop a schedule, protocol, priority locations and a pollutant parameter if a response is required. This will be accomplished through utilization of GIS tools and the creation of a guidance document.

IDDE-6: Regular IDDE training has been an ongoing practice for County Road Operations Crews, but it will be necessary to provide updated training to reflect new expectations. Staff will also need to include all personnel responsible for illicit discharge response in those trainings.

Minimum Control Measure 4: Construction Site Runoff Control

Goal

- 1.) Implement and enforce a program that reduces the discharge of pollutants from construction sites to the MS4

Through the use of an ordinance or other regulatory mechanism, the program will require erosion and sediment controls and waste materials management controls to be used at all qualifying construction sites.

BMPs

CE-1: Revise and update the existing Construction Erosion Ordinance (#1307) to reflect the conditions of the general permit.

CE-2: Review and update Erosion and Sediment Control Plan (ESCP) requirements for site operators as well as the County's procedures for documentation and tracking.

CE-3: Review and update the Construction Site Inspection procedure which should include triggers for inspection and minimum inspection documentation.

CE-4: Review and update the Construction Site enforcement procedures which should include an escalating enforcement procedure for repeat violations.

Measurable Goals

BMP	Milestones	Start	Finish	Deliverables
CE-1	<ul style="list-style-type: none"> Provide draft to BOC for review Public comment period Update Ordinance #1307 	Sept. 2019	Aug. 2022	<ul style="list-style-type: none"> Updated ordinance
CE-2	<ul style="list-style-type: none"> Develop updated ESCP template Develop inspection checklist Develop updated internal procedures for ESCP documentation 	Sept. 2019	Jan. 2021	<ul style="list-style-type: none"> Updated template Updated checklist Updated procedures
CE-3	<ul style="list-style-type: none"> Develop updated inspection procedures 	Sept. 2019	Jan. 2021	<ul style="list-style-type: none"> Updated procedures & ordinance
CE-4	<ul style="list-style-type: none"> Develop updated enforcement procedures 	Sept. 2019	Jan. 2021	<ul style="list-style-type: none"> Updated ordinance

Responsible Person(s)

The work involved in MCM 4 will be a collaborative effort between the County's Land Development Engineering and Planning (LDEP), Engineering staff and Environmental Specialists. LDEP is responsible for reviewing, permitting and inspecting construction sites. However, in order to update ordinances and standards, they will need input from both Engineering and Environmental Specialist staff. LDEP staff will review and provide updates for ESCP templates, inspection checklists, internal and enforcement procedures. Engineering staff will review and provide updates to engineering standards and the Environmental Specialists will coordinate meetings, draft new language for ordinances and review final documents to ensure compliance with the general permit.

Rationale

CE-1: In 2010 the County implemented the Construction Erosion Ordinance (#1307) in order to meet the construction erosion requirements of the previous individual permit. However, changes

in the general permit such as size requirements for ESCP and requirements for enforcement procedures require the ordinance to be updated. During this update, the County will review the erosion and sediment control program to ensure new expectations and internal processes are effective and meet permit requirements.

CE-2: The LDEP division currently uses a permitting system to ensure construction site operators and developers comply with ESCP requirements. In order to meet the conditions of the general permit, the threshold for submitting an ESCP must be updated, along with the supplementary materials provided to site operators. Staff will develop or update the ESCP template, inspection checklist and internal procedures for ESCP review and approval.

CE-3: The LDEP's inspection procedures were created in 2010 to fulfill the needs of the individual permit. In order to comply with the new general permit requirements, an updated procedure will need to be implemented. LDEP and Environmental Specialists will work to update the inspection procedures to meet the current permit expectations.

CE-4: As stated in CE-1, the County's Construction Erosion ordinance was developed to fulfill the previous individual permit and as such, the enforcement procedures are not sufficient to meet the current requirements of the general permit. LDEP and Environmental Specialists will update the ordinance with the new enforcement procedures.

Minimum Control Measure 5: Post-Construction Site Runoff Control

Goal

- 1.) Implement and enforce a program that reduces the discharge of pollutants and controls stormwater runoff from new development and redevelopment to the MS4

Through the use of an ordinance or other regulatory mechanism, the program will require that qualifying sites use stormwater controls and implement long term operation and maintenance for proper upkeep.

BMPs

PCE-1: Revise and update the existing Post Construction Runoff Ordinance (#1324) to reflect the conditions of the general permit.

PCE-2: Review ordinances, code and standards for any barriers to implementing green infrastructure or low impact development. If barriers are identified, work to minimize or remove those barriers within three years.

PCE-3: Review and develop standards that meet the conditions of the general permit. These should include the following:

- a. Structural stormwater control design and specifications

- b. Site performance standards with a numeric stormwater retention requirement
- c. Treatment standards for sites unable to meet the retention standards
- d. Allowance for alternative compliance for sites unable to meet the retention requirements
- e. Stormwater mitigation options for sites that qualify for alternative compliance

PCE-4: Review and update the Post Construction Site Runoff Plan review procedures.

PCE-5: Review and update the Post Construction enforcement procedures which should include an escalating enforcement procedure for repeat violations.

Measurable Goals

BMP	Milestones	Start	Finish	Deliverables
PCE-1	<ul style="list-style-type: none"> • Review & update current ordinance • Provide draft for BOC to review • Public comment period • Update ordinance #1324 	Feb 2022	Feb. 2023	<ul style="list-style-type: none"> • Updated ordinance
PCE-2	<ul style="list-style-type: none"> • Develop a team to review codes, policy and ordinances • Review codes, policies and ordinances for barriers to GI or LID implementation • Provide recommendations to BOC 	Feb 2022	Feb. 2023	<ul style="list-style-type: none"> • Barriers • Recommendations & Changes • Updated codes, ordinances or policies
PCE-3	<ul style="list-style-type: none"> • Develop a post construction standard review team • Review and update post construction standards 	Feb 2022	Feb. 2023	<ul style="list-style-type: none"> • Updated standards
PCE-4	<ul style="list-style-type: none"> • Review and update the site plan review procedures 	Feb 2022	Feb 2023	<ul style="list-style-type: none"> • Updated procedures
PCE-5	<ul style="list-style-type: none"> • Review and update enforcement procedures 	Feb 2022	Feb 2023	<ul style="list-style-type: none"> • Updated ordinance

Responsible Person(s)

Implementing these BMPs will be a collaborative effort between the County’s LDEP, Engineering staff and Environmental Specialist. LDEP is responsible for reviewing, permitting and inspecting post construction sites. However, in order to update ordinances and standards they will need input from both Engineering and Environmental Services staff. LDEP will review and provide updates for internal documentation and procedures as well as enforcement. Engineering will review and provide updates to engineering standards and Environmental Specialists will coordinate meetings, draft new language for ordinances and review final documents to ensure compliance with the general permit.

Rationale

PCE-1: In 2010 the County implemented the Post Construction Erosion Ordinance (#1324) in order to meet the construction erosion requirements of the previous individual permit. However, changes in the general permit such as size requirements for stormwater controls call for the ordinance to be updated.

PCE-2: The County has a large list of codes, policies and ordinances that must be reviewed for barriers to LID and GI implementation. In order to review these policies, a team from Public Works will be gathered to identify barriers. Once barriers have been identified the group will propose recommendations to the County's management team and the Board of Commissioners for approval and implementation.

PCE-3: The post construction standards are used by LDEP, capital projects and the general public during post-construction development. As such, in order to develop a set of standards that meet permit requirements and also fulfill the needs and expectations of those who use them, a team from Public Works will be gathered to provide input in the changes. Representatives will assist in reviewing the County's [2012 Draft Interim Standards](#), review other jurisdiction's standards and propose updates.

PCE-4: LDEP is responsible for the review of all post construction plans submitted to the County. With multiple staff members potentially performing a review of the plans, it is important to have a documented procedure. This can be used by all staff performing the site runoff plan review to ensure consistency in evaluations and to provide site operators with a better understanding of County expectations. In order to be in compliance with the general permit, this procedure will be reviewed and updated by staff.

PCE-5: As stated in PCE-1, the County's Post Construction Erosion ordinance was developed to fulfill the previous individual permit and as such, the enforcement procedures are not sufficient to meet the current requirements of the general permit. Staff will update the ordinance with the new enforcement procedures.

Minimum Control Measure 6: Pollution Prevention and Good Housekeeping for Municipal Operations

Goal

- 1.) Implement a program that ensures prudent pollution prevention and good housekeeping practices are used to reduce the discharge of pollutants from municipal operations

The program will utilize a variety of methods to train staff on pollution prevention practices and ensure that good housekeeping practices are being utilized during day-to-day municipal activities.

BMPs

PP-1: Develop and implement an operations and maintenance strategy for all existing stormwater controls that discharge into the MS4.

PP-2: Develop and implement a strategy to inspect and maintain at least 50% of the catch basins and inlets within the MS4.

PP-3: Revise and update the existing best management practices document and ensure proper procedures are in place for the following activities:

- a. Pipe cleaning for stormwater and wastewater conveyance systems
- b. Cleaning of culverts conveying stormwater in roadside ditches
- c. Ditch Maintenance
- d. Road and bridge maintenance
- e. Road repair and resurfacing including pavement grinding
- f. Dust control for roads and municipal construction sites
- g. Winter road maintenance including salt or de-icing
- h. Fleet maintenance and vehicle washing
- i. Building and sidewalk maintenance including washing
- j. Solid waste transfer and disposal areas
- k. Municipal landscape maintenance
- l. Material storage and transfer areas including fertilizer and pesticide, hazardous material, used oil storage and fuel
- m. Firefighting training activities
- n. Maintenance of municipal facilities including public parks and open space, golf courses, airports, parking lots, swimming pools, marinas, etc.
- o. Application and disposal of pesticides and fertilizers
- p. Material disposal that is removed during the course of maintenance, treatment, control of stormwater or wastewater

PP-4: Implement a method to reduce litter within MS4 by working cooperatively with other departments and entities on a regular basis including after major public events.

PP-5: Develop and implement a program to train all new staff working to implement pollution prevention for municipal operations within 30 days of hire and at least once during the permit term.

Measurable Goals

BMP	Milestones	Start	Finish	Deliverables
PP-1	<ul style="list-style-type: none"> Document all existing stormwater controls in the MS4 Develop an annual maintenance plan for O&M 	Feb 2019	Feb. 2022	<ul style="list-style-type: none"> Updated map Maintenance plan and documented work
PP-2	<ul style="list-style-type: none"> Develop an annual maintenance plan Inspect catch basins annually 	Feb 2019	Feb. 2022	<ul style="list-style-type: none"> Updated map Documentation of inspections
PP-3	<ul style="list-style-type: none"> Review the existing BMP document Compare practices to another jurisdictions Update BMPs as necessary 	Feb 2019	Feb. 2022	<ul style="list-style-type: none"> Updated BMP guide
PP-4	<ul style="list-style-type: none"> Document all solid waste removed from the MS4 through the course of daily operations Develop a plan to reduce most frequent materials 	Feb 2019	Feb. 2022	<ul style="list-style-type: none"> Documentation of waste Litter reduction plan
PP-5	<ul style="list-style-type: none"> Develop BMP training program Implement training program for new hires Train employees on BMPs once per year 	Feb 2019	Feb. 2022	<ul style="list-style-type: none"> Updated training program Documentation of participants

Responsible Person(s)

Implementing these BMPs will be a coordinated effort between Road Operations, Stormwater Operations and Environmental Specialists. Stormwater Operations will be responsible for mapping and inspecting stormwater controls as well as inspecting catch basins. Road and Stormwater Operations will be responsible for implementing all BMPs during the course of day-to-day activities. Finally, Environmental Specialist will be responsible for updating the BMP procedures and implementing training programs. The Road Operations Division Manager and Supervisors along with the Environmental Services Program Supervisor are responsible for ensuring the implementation.

Rationale

PP-1: The County's post-construction requirements require certain sites to install stormwater controls within the MS4. However, documenting and inspecting these controls has been inconsistent in the past. To ensure compliance with the permit, LDEP and Capital Projects will develop a comprehensive list of stormwater controls in the MS4. Once all the controls have been documented, the Environmental Services Program Supervisor will develop an annual plan for the Stormwater Operations team to inspect and maintain.

PP-2: Stormwater operations crews already inspect and clean catch basins within the MS4 on a regular basis. However, to ensure that there is evidence of meeting the permit expectations, the Environmental Services Program Supervisor will develop an annual plan and Stormwater Operations will provide documentation upon inspection and cleaning each catch basin.

PP-3: The County last updated their BMP document in 2012. Since it covers many different municipal activities, it is important that those BMPs are reviewed and updated to meet current expectations. An Environmental Specialist will review the BMP document and BMP activities, compare BMP activities to another jurisdiction, and update the BMP document.

PP-4: Stormwater operations crews already consistently remove solid waste and debris from ditches and catch basins throughout the MS4 but that is rarely documented. In order to show compliance with the general permit, staff will begin tracking the materials that they remove. An Environmental Specialist will review the data annually and consider a litter reduction plan that would address the root causes of the most frequent materials being found.

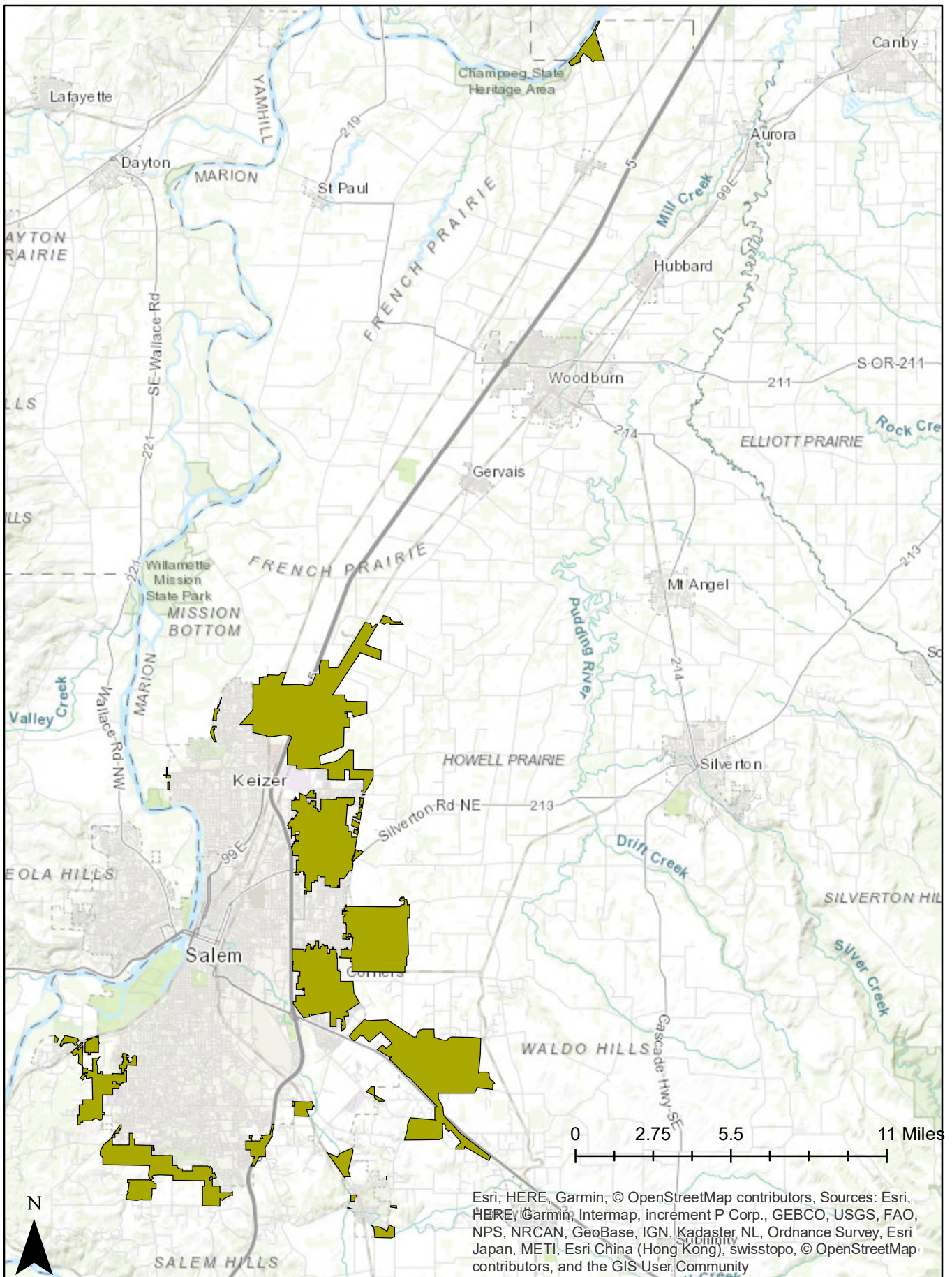
PP-5: Since 2009, the County has been implementing BMP training for all municipal operations crews. However, with newer technology and updated BMP strategy, there is an opportunity to update how training is implemented. In order to meet permit requirements staff should be trained once upon hire and once a year as a refresher. An Environmental Specialist will update these trainings and provide them to all appropriate employees.

3.3 Illicit Discharge Detection & Elimination

MS4 Map

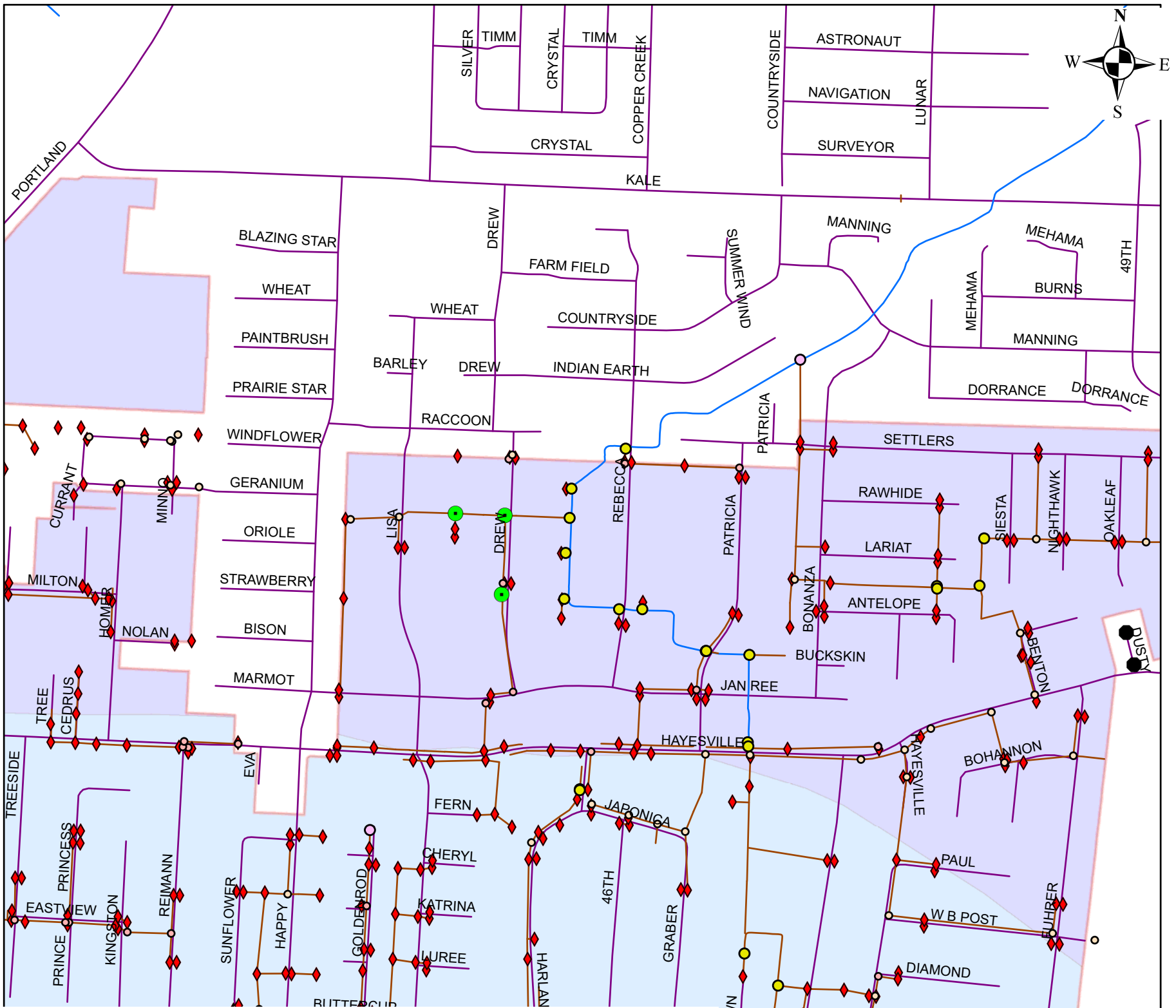
Questions 53 and 55

Marion County Stormwater Management Area



Esri, HERE, Garmin, © OpenStreetMap contributors, Sources: Esri, HERE, Garmin; Intermap, increment P Corp., GEBCO, USGS, FAO, NPS, NRCAN, GeoBase, IGN, Kadaster NL, Ordnance Survey, Esri Japan, METI, Esri China (Hong Kong), swisstopo, © OpenStreetMap contributors, and the GIS User Community

Conveyance and Controls Example



Legend

- Output Not Near Asset
- Proximity to Ditch or Stream

watershed

<all other values>

Stormwater_Structures

- <all other values>

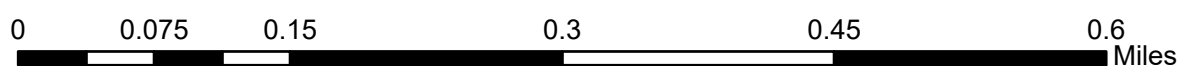
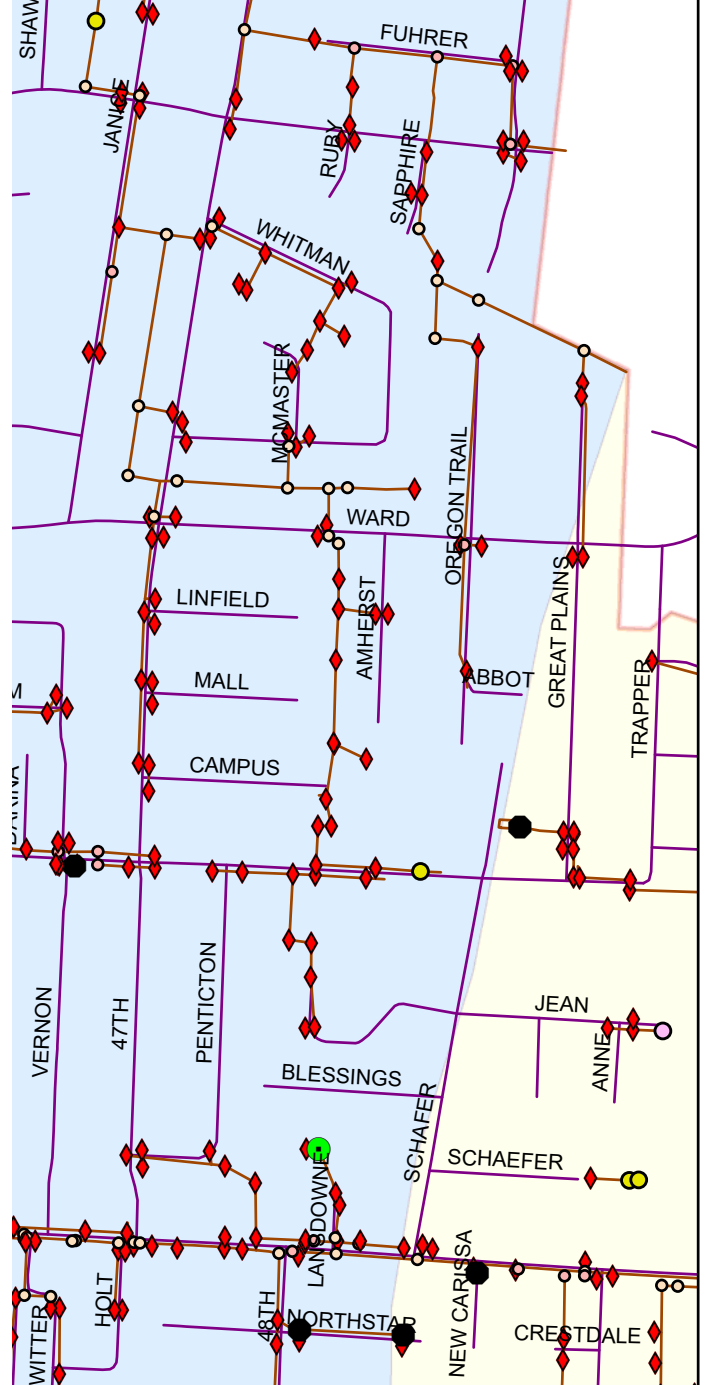
AssetType

- ★ AREA DRAIN
- ◆ CB
- CO
- CONTROL INLET
- CONTROL STRUCTURE
- INLET
- JB
- MH
- OUTLET
- PLUG
- ? Unknown
- ▲ VAULT
- WELL
- YARD DRAIN

Name

- Beaver Creek
- Corral Creek-Willamette River
- Croisan Creek-Willamette River
- Glenn Creek-Willamette River
- Lower Little Pudding River
- Lower Mill Creek
- McKinney Creek
- Upper Little Pudding River

- Pipes_and_Ditches
- Streams
- Roadways

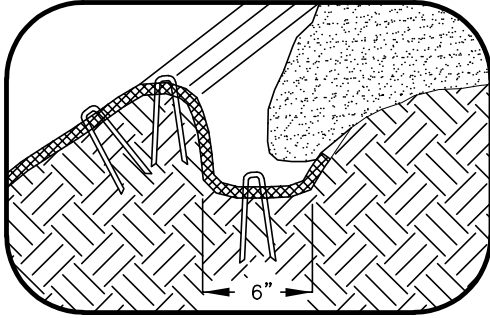


[Supporting Attachments 27](#)

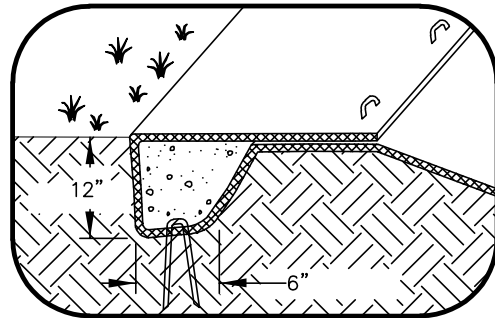
3.4 Construction Site Runoff Control

Erosion Controls

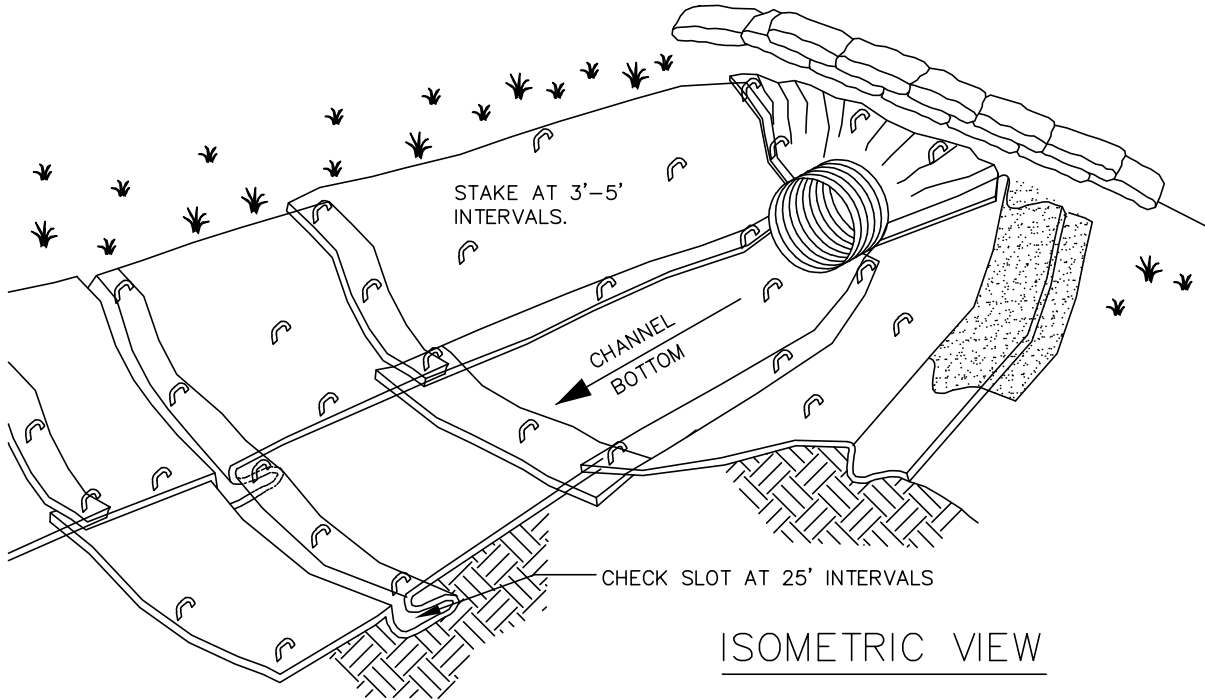
Question 86



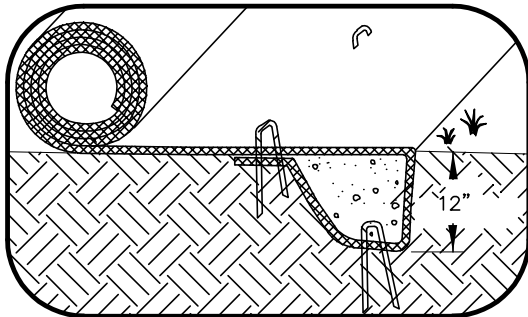
LONGITUDINAL
ANCHOR TRENCH



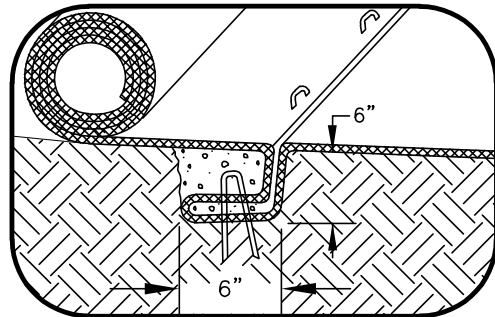
TERMINAL SLOPE AND
CHANNEL ANCHOR TRENCH



ISOMETRIC VIEW



INITIAL CHANNEL
ANCHOR TRENCH



INTERMITTENT CHECK
SLOT

NOTES:

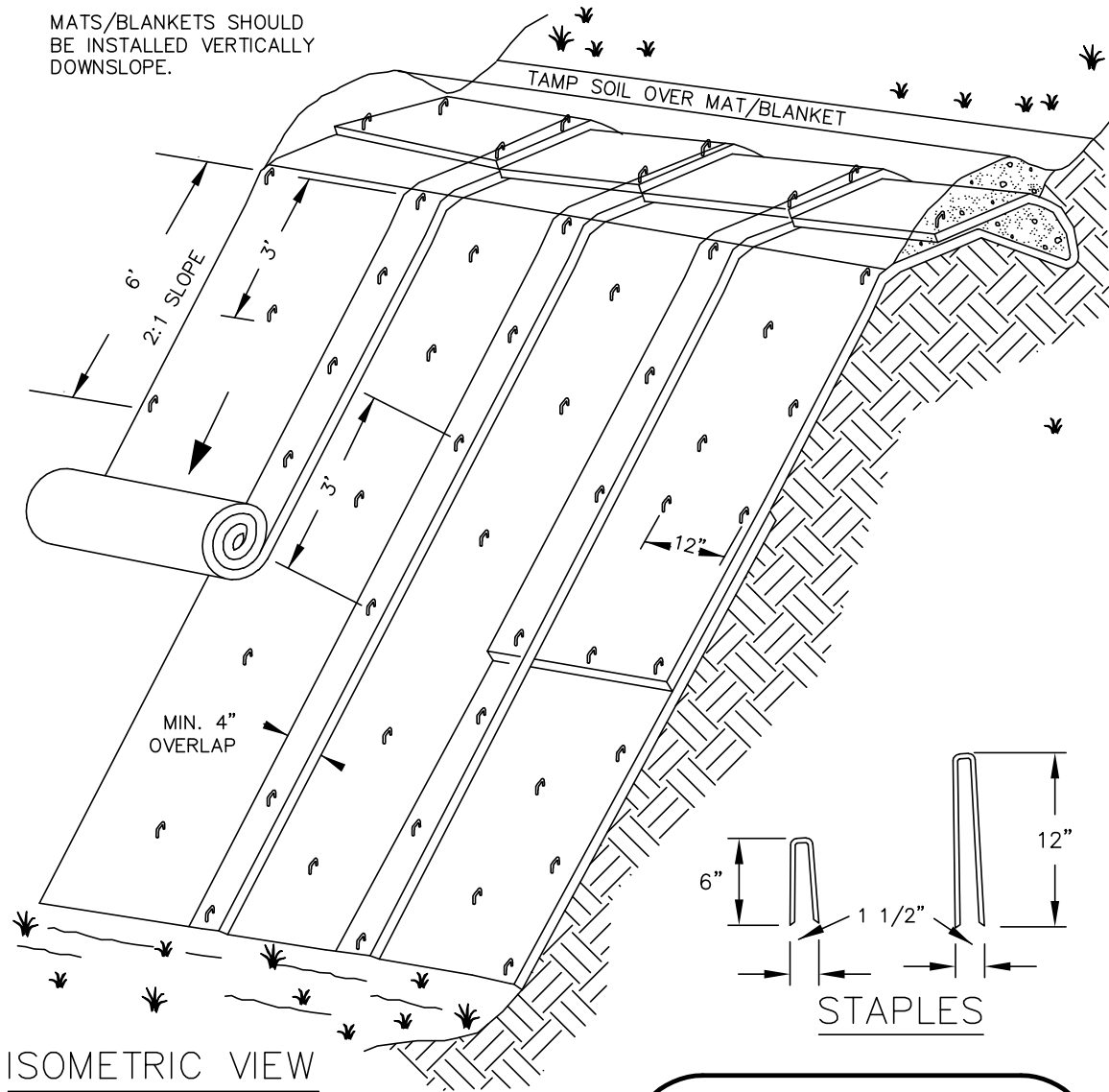
1. CHECK SLOTS TO BE CONSTRUCTED PER MANUFACTURERS SPECIFICATIONS.
2. STAKING OR STAPLING LAYOUT PER MANUFACTURERS SPECIFICATIONS.

MATTING CHANNEL INSTALLATION

DRAWING NO. 800

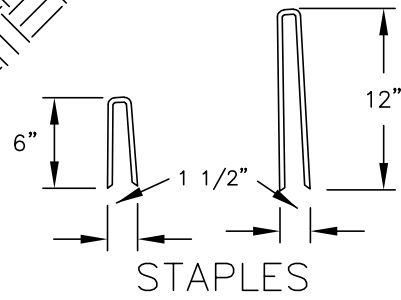
REVISED 10-31-19

MATS/BLANKETS SHOULD BE INSTALLED VERTICALLY DOWNSLOPE.

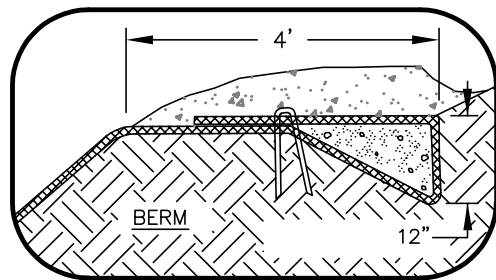


ISOMETRIC VIEW

TYPICAL SLOPE SOIL STABILIZATION



STAPLES



NOT TO SCALE

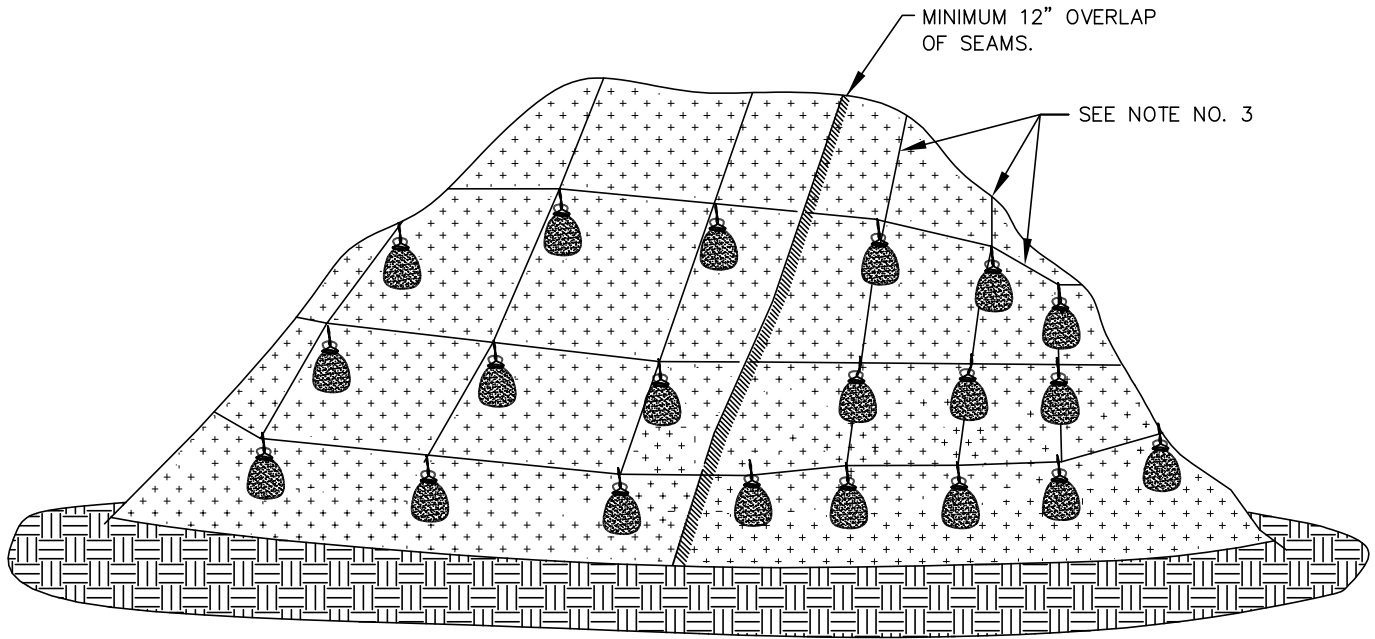
NOTES:

1. SLOPE SURFACE SHALL BE FREE OF ROCKS, CLODS, STICKS AND GRASS. MATS/BLANKETS SHALL HAVE GOOD SOIL CONTACT.
2. APPLY PERMANENT SEEDING BEFORE PLACING BLANKETS.
3. LAY BLANKETS LOOSELY AND STAKE OR STAPLE TO MAINTAIN DIRECT CONTACT WITH THE SOIL. DO NOT STRETCH.
4. STAKING OR STAPLING LAYOUT PER MANUFACTURERS SPECIFICATIONS.

MATTING SLOPE INSTALLATION



FOR FURTHER INFORMATION
ON DESIGN CRITERIA SEE
CHAPTER 4 OF CLEAN WATER
SERVICES EROSION PREVENTION
AND SEDIMENT CONTROL
PLANNING AND DESIGN MANUAL.



PLASTIC SHEETING

NOTES:

1. MINIMUM 12" OVERLAP OF ALL SEAMS REQUIRED.
2. PERIMETER SEDIMENT CONTROL BMP TO BE INSTALLED A MINIMUM OF 3' FROM TOE OF STOCKPILE.
3. COVERING MAINTAINED TIGHTLY IN PLACE BY USING SANDBAGS OR APPROVED EQUAL ON ROPES WITH A MAXIMUM 10' GRID SPACING IN ALL DIRECTIONS.
4. PLASTIC TO EXTEND MINIMUM 1' BEYOND TOE OF SLOPE.
5. AS APPROPRIATE, BMP'S SHALL BE INSTALLED TO CONVEY WATER DISCHARGE FROM STOCKPILE AREAS.

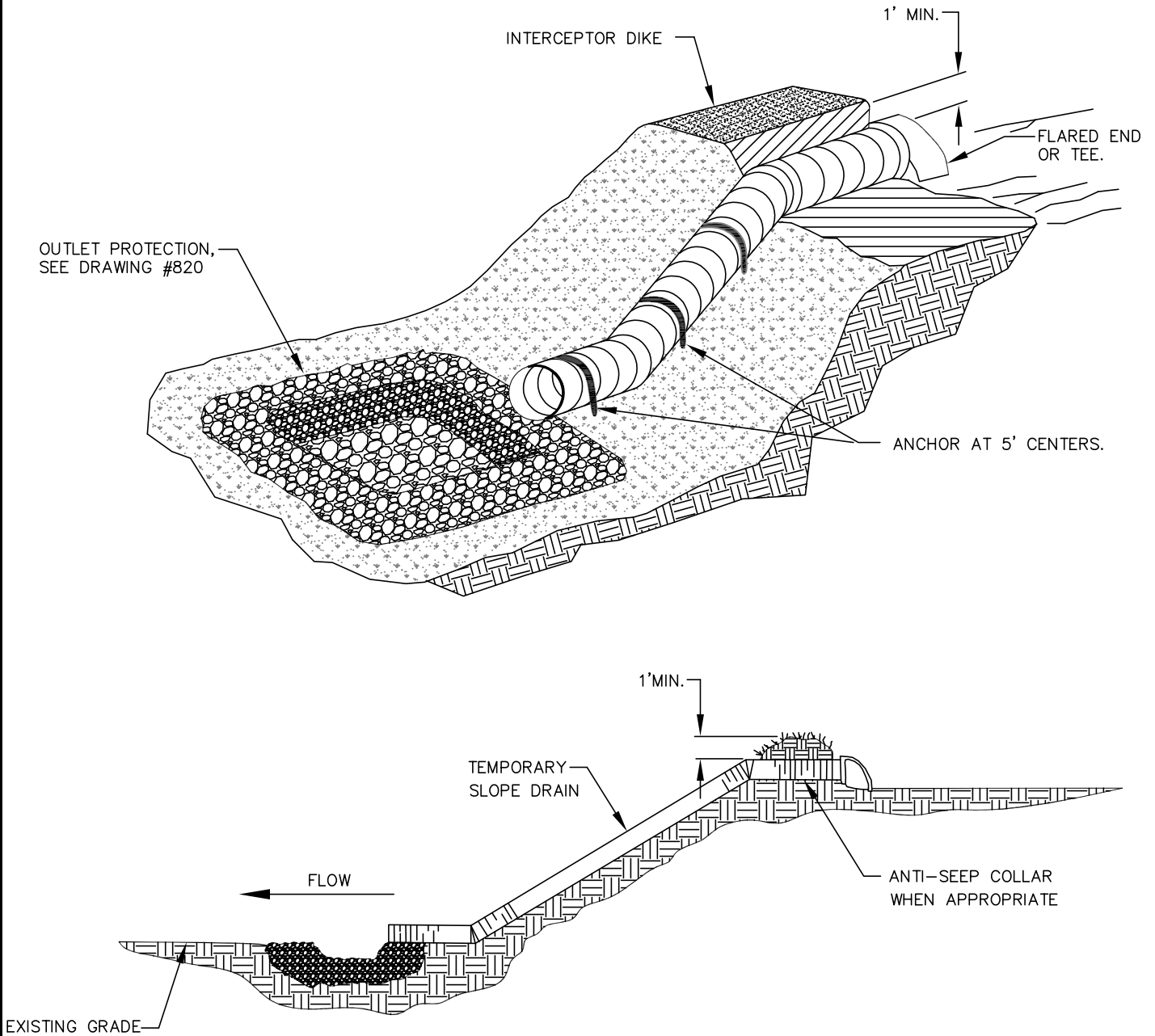
PLASTIC SHEETING

DRAWING NO. 810

REVISED 10-31-19

CleanWater  Services

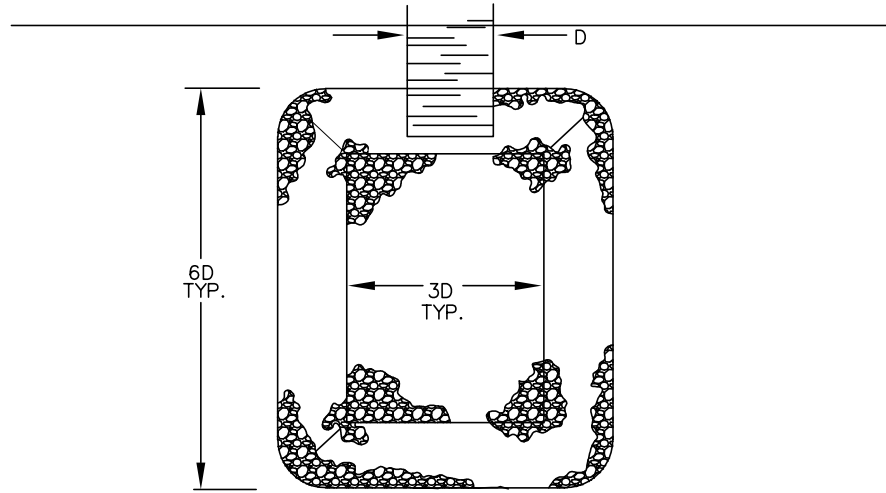
FOR FURTHER INFORMATION
ON DESIGN CRITERIA SEE
CHAPTER 4 OF CLEAN WATER
SERVICES EROSION PREVENTION
AND SEDIMENT CONTROL
PLANNING AND DESIGN MANUAL.



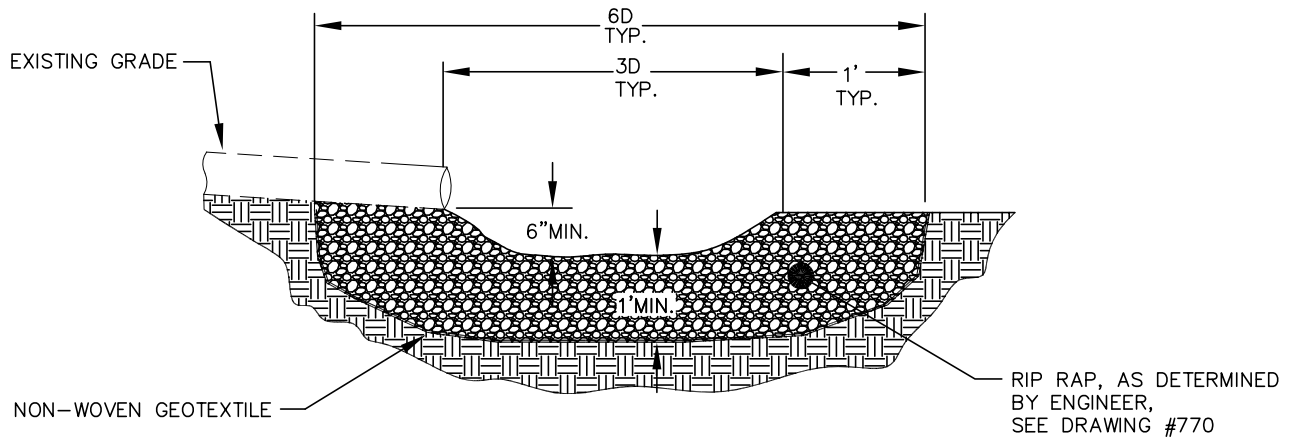
PIPE SLOPE DRAIN



FOR FURTHER INFORMATION
ON DESIGN CRITERIA SEE
CHAPTER 4 OF CLEAN WATER
SERVICES EROSION PREVENTION
AND SEDIMENT CONTROL
PLANNING AND DESIGN MANUAL.



PLAN VIEW



PROFILE

NOTE:

1. ADDITIONAL BMP'S ARE REQUIRED WHEN DISCHARGING SEDIMENT LADEN WATER.

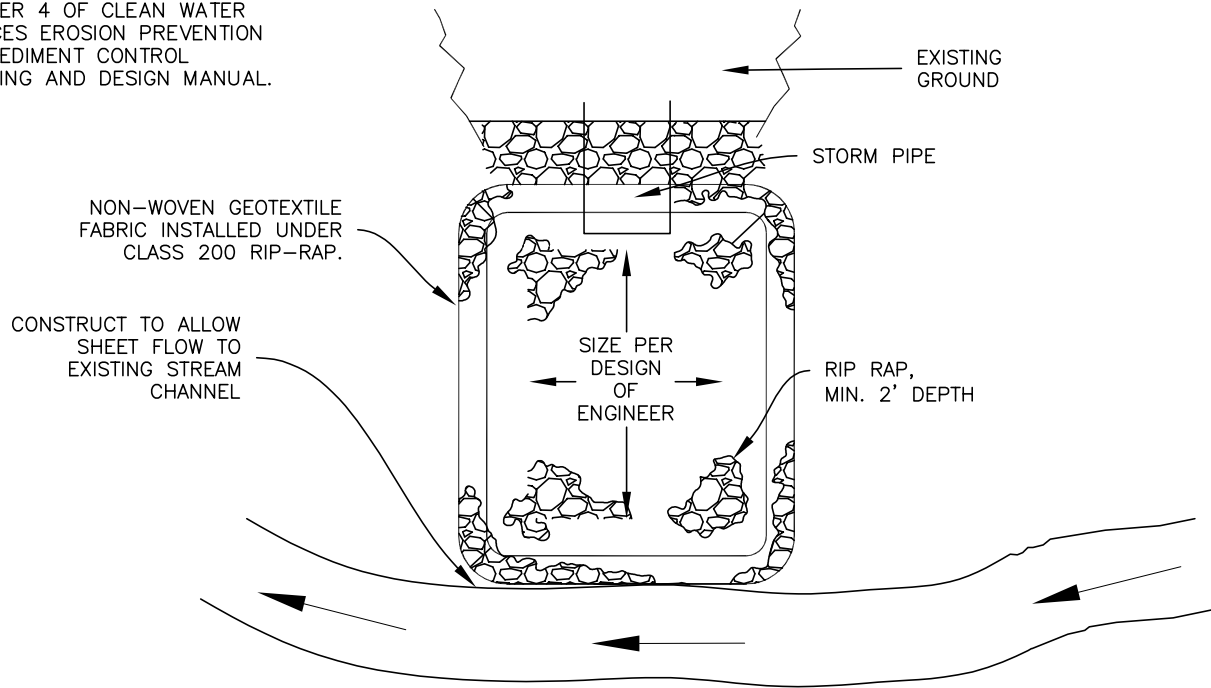
OUTLET PROTECTION RIP RAP

DRAWING NO. 820

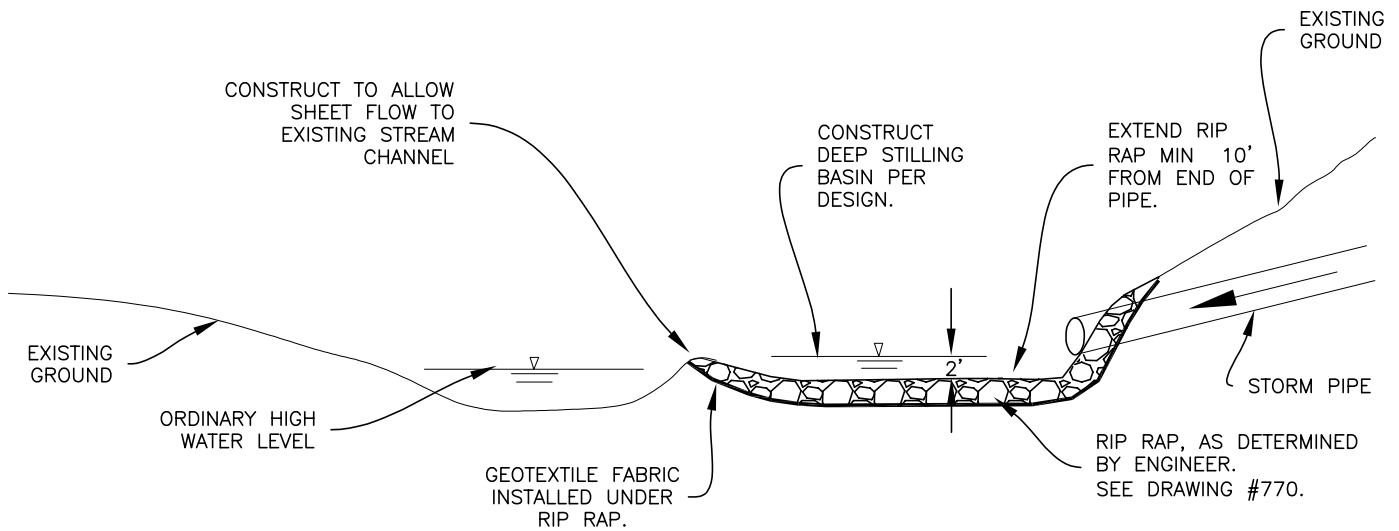
REVISED 10-31-19



FOR FURTHER INFORMATION
ON DESIGN CRITERIA SEE
CHAPTER 4 OF CLEAN WATER
SERVICES EROSION PREVENTION
AND SEDIMENT CONTROL
PLANNING AND DESIGN MANUAL.



PLAN VIEW
NTS



PROFILE

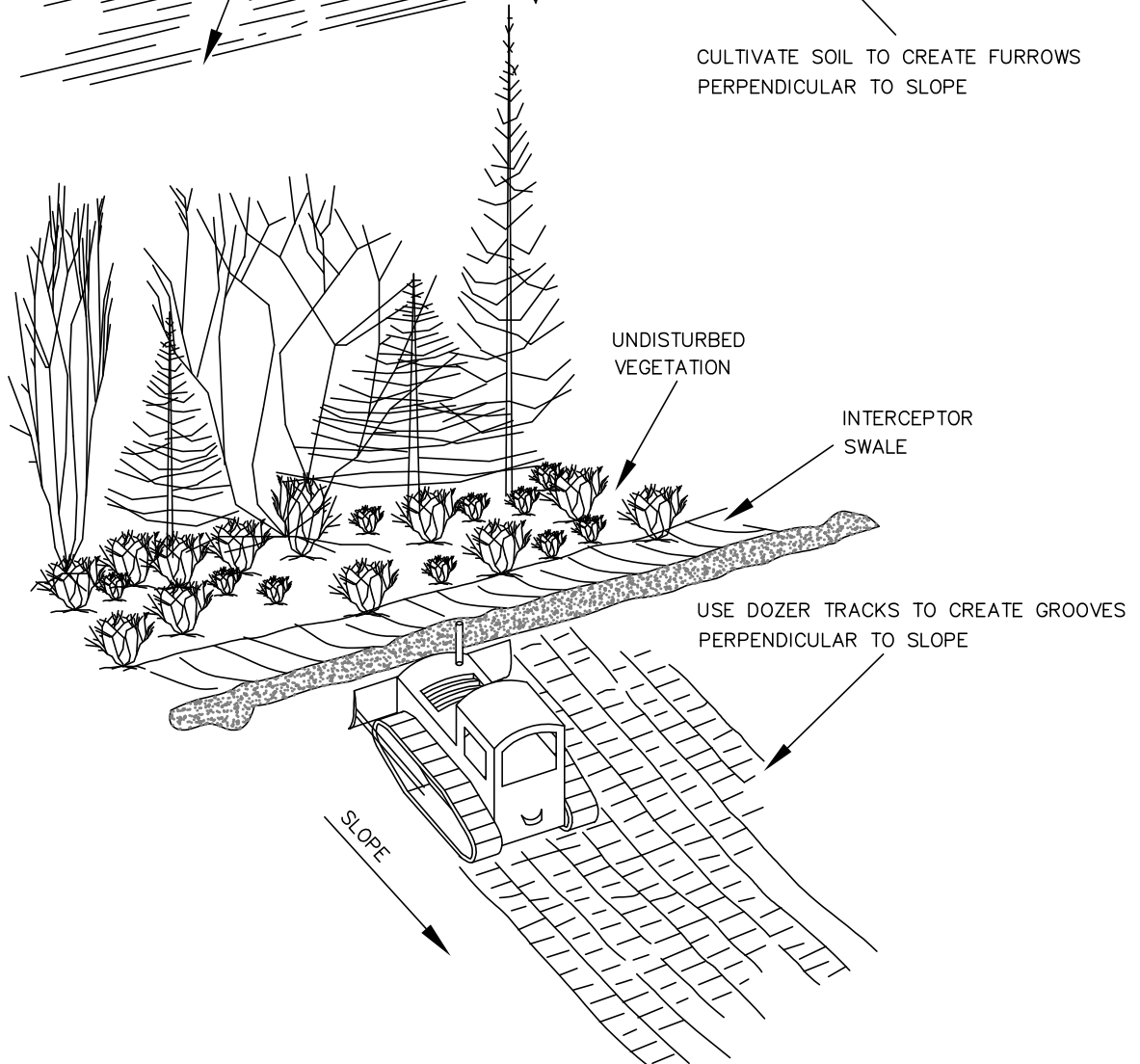
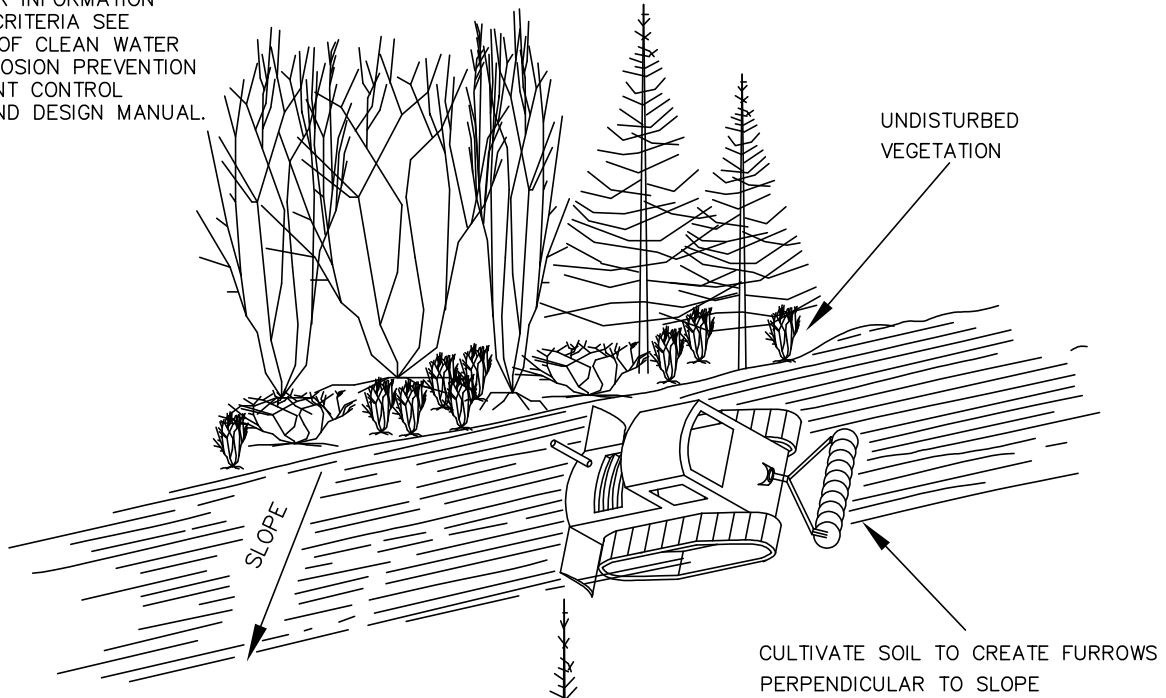
NOTES:

1. ADDITIONAL BMP'S ARE REQUIRED WHEN DISCHARGING SEDIMENT LADEN WATER.
2. CONTRACTOR TO COMPLY WITH CONDITIONS AND REQUIREMENT OF DSL AND CORPS PERMITS.

OUTLET PROTECTION STILLING BASIN



FOR FURTHER INFORMATION
ON DESIGN CRITERIA SEE
CHAPTER 4 OF CLEAN WATER
SERVICES EROSION PREVENTION
AND SEDIMENT CONTROL
PLANNING AND DESIGN MANUAL.



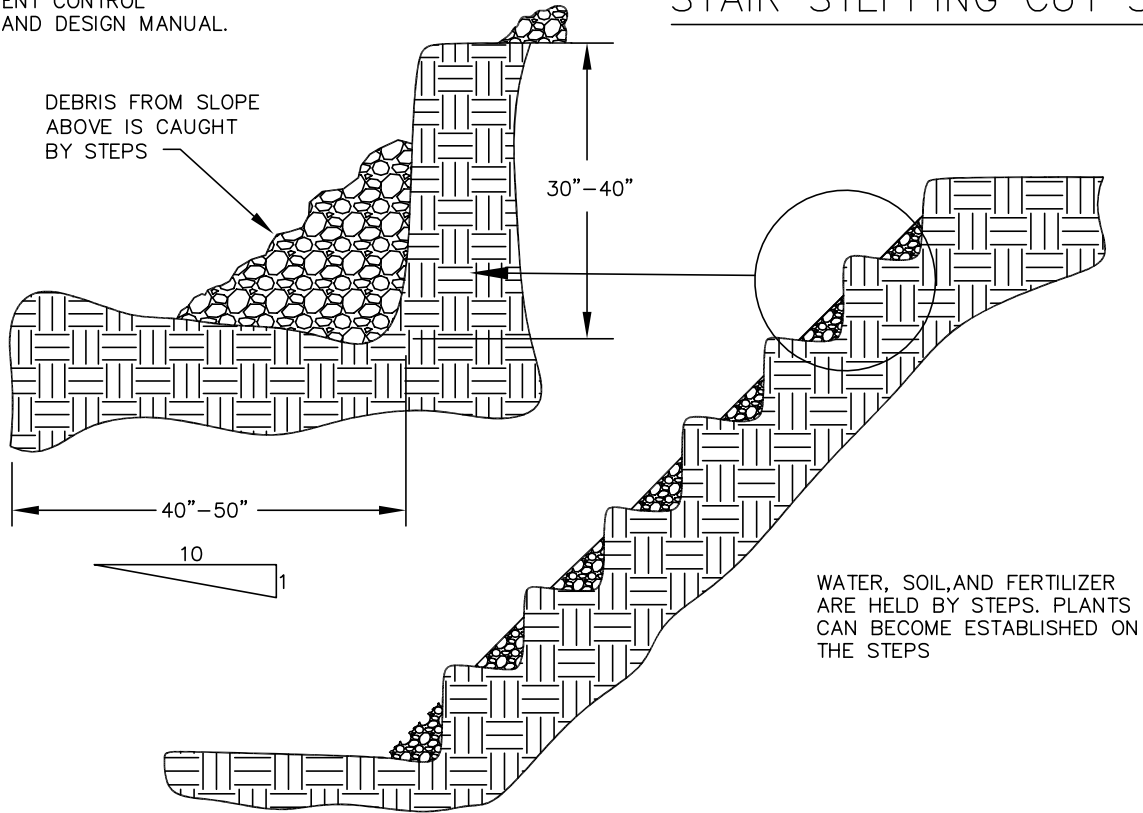
SURFACE ROUGHENING CAT TRACKING

DRAWING NO. 830

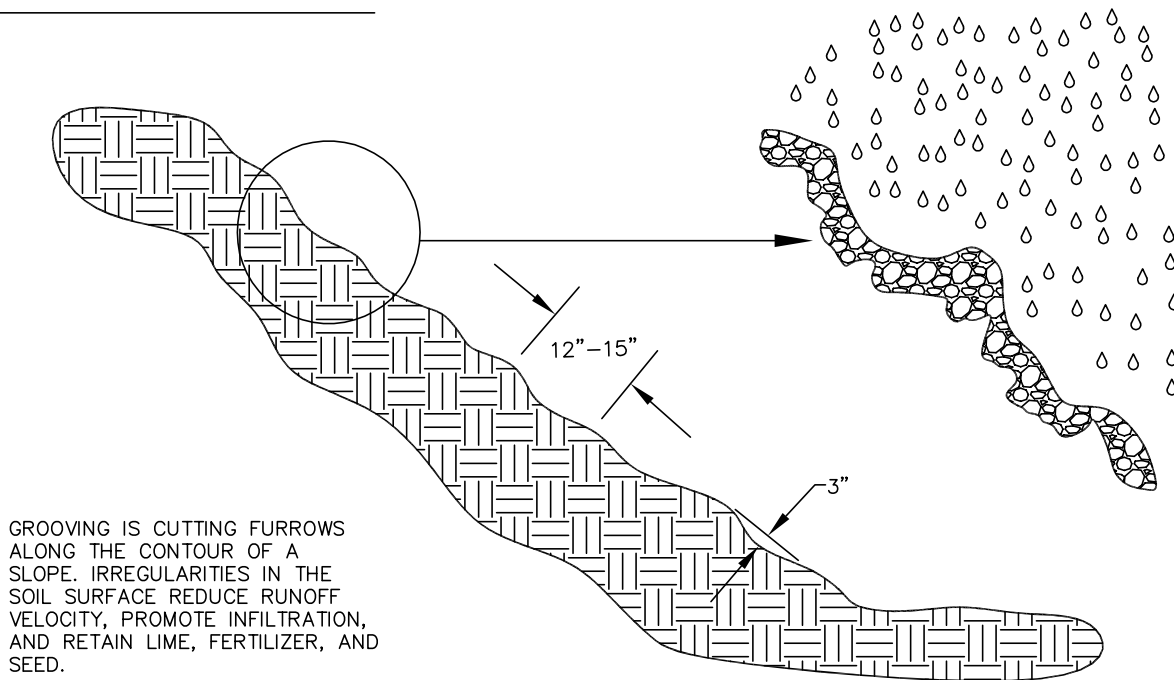
REVISED 10-31-19

FOR FURTHER INFORMATION
ON DESIGN CRITERIA SEE
CHAPTER 4 OF CLEAN WATER
SERVICES EROSION PREVENTION
AND SEDIMENT CONTROL
PLANNING AND DESIGN MANUAL.

STAIR STEPPING CUT SLOPES



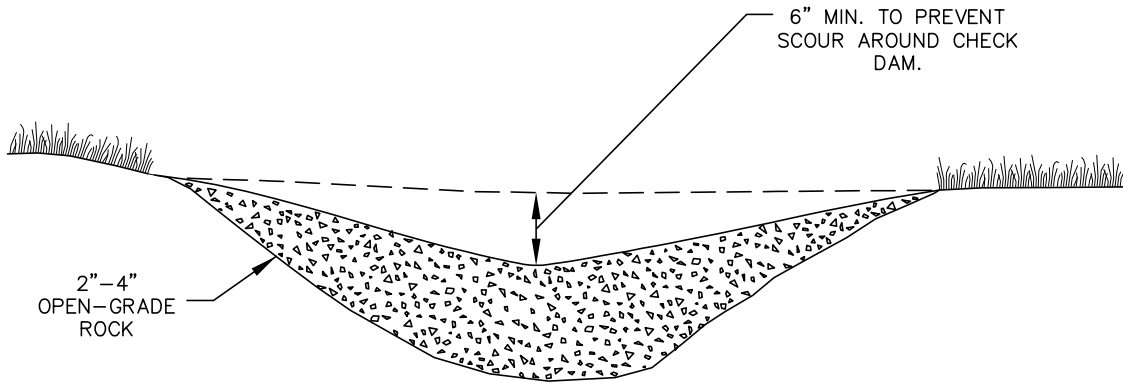
GROOVING SLOPES



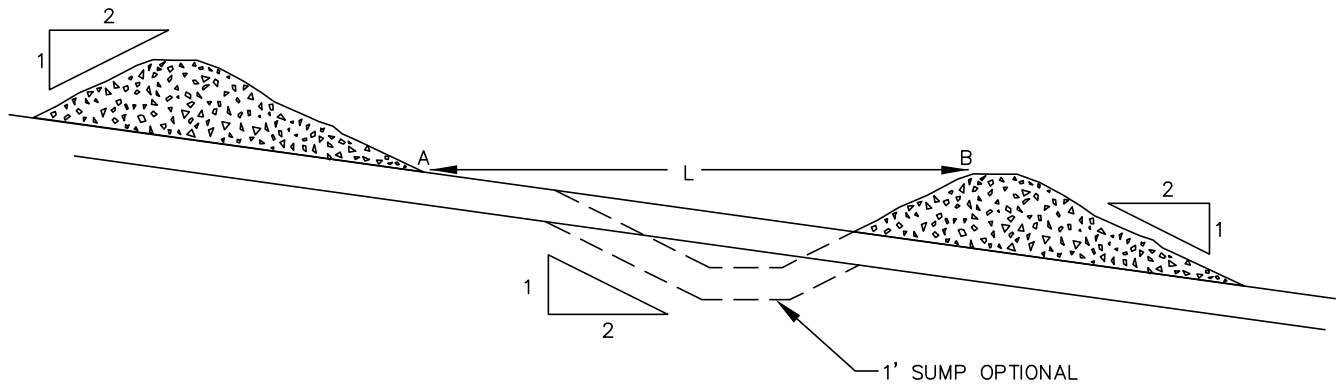
SURFACE ROUGHENING STAIR STEPPING/GROOVING SLOPES



FOR FURTHER INFORMATION
ON DESIGN CRITERIA SEE
CHAPTER 4 OF CLEAN WATER
SERVICES EROSION PREVENTION
AND SEDIMENT CONTROL
PLANNING AND DESIGN MANUAL.



ROCK CHECK DAM



SPACING BETWEEN CHECK DAMS

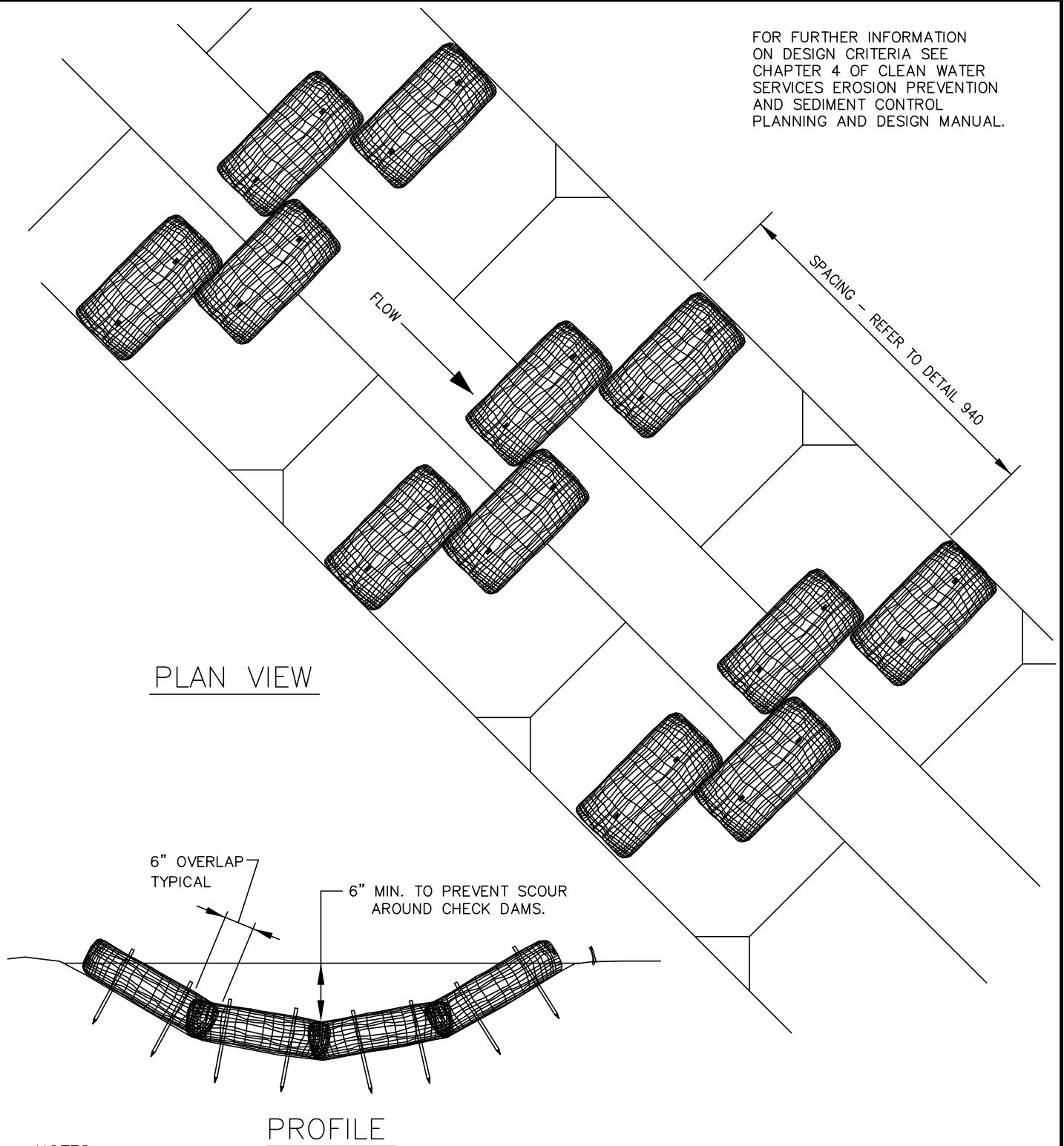
NOTES:

1. L = THE DISTANCE SUCH THAT POINTS A AND B ARE OF EQUAL ELEVATION.
2. SEE DRAWING #940 FOR HEIGHT AND SPACING OF CHECK DAMS.

CHECK DAM
ROCK



FOR FURTHER INFORMATION
ON DESIGN CRITERIA SEE
CHAPTER 4 OF CLEAN WATER
SERVICES EROSION PREVENTION
AND SEDIMENT CONTROL
PLANNING AND DESIGN MANUAL.



NOTES:

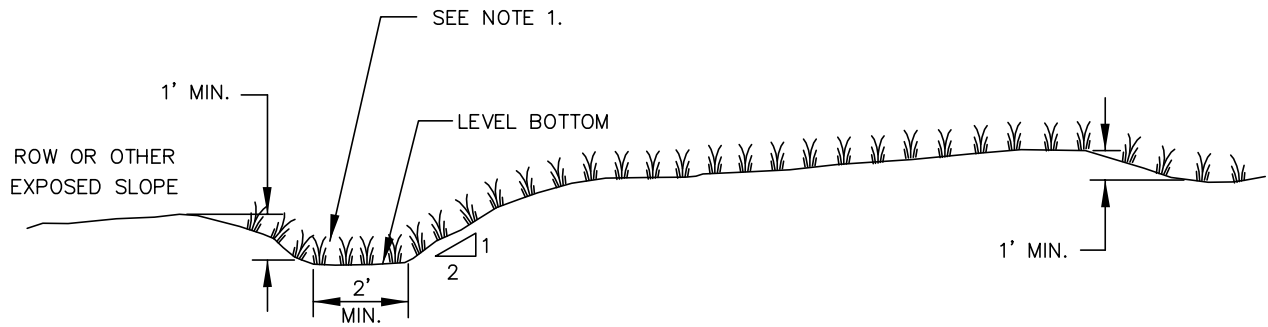
1. STAKING OF BAGS REQUIRED USING (2) 1"x2" WOOD STAKES OR APPROVED EQUAL PER BAG.
2. SURFACE MUST BE SMOOTH BEFORE APPLICATION.
3. CHECK DAMS CAN BE CONSTRUCTED USING STRAW WATTLES OR OTHER MATERIALS AS APPROVED BY THE DISTRICT OR CITY.

CHECK DAM BIO-FILTER BAG

DRAWING NO. 845

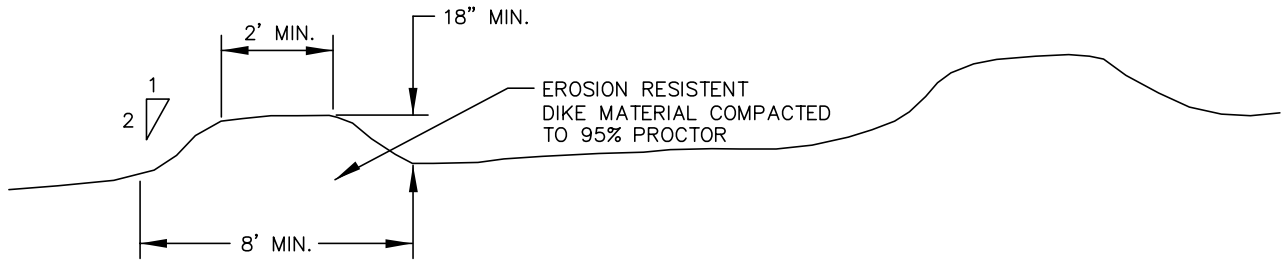
REVISED 10-31-19

FOR FURTHER INFORMATION
ON DESIGN CRITERIA SEE
CHAPTER 4 OF CLEAN WATER
SERVICES EROSION PREVENTION
AND SEDIMENT CONTROL
PLANNING AND DESIGN MANUAL.



BOTTOM WIDTH – 2 FEET MINIMUM; THE BOTTOM WIDTH SHALL BE LEVEL.
DEPTH – 1 FOOT MINIMUM.
SIDE SLOPE – 2H:1V OR FLATTER.
GRADE – MAXIMUM 5 PERCENT, WITH POSITIVE DRAINAGE TO A
SUITABLE OUTLET (SUCH AS SEDIMENTATION POND)

DIVERSION SWALE



DIVERSION DIKE

<u>SLOPE</u>	<u>SPACING</u>
<5%	300 FEET
5–10%	200 FEET
10–40%	100 FEET

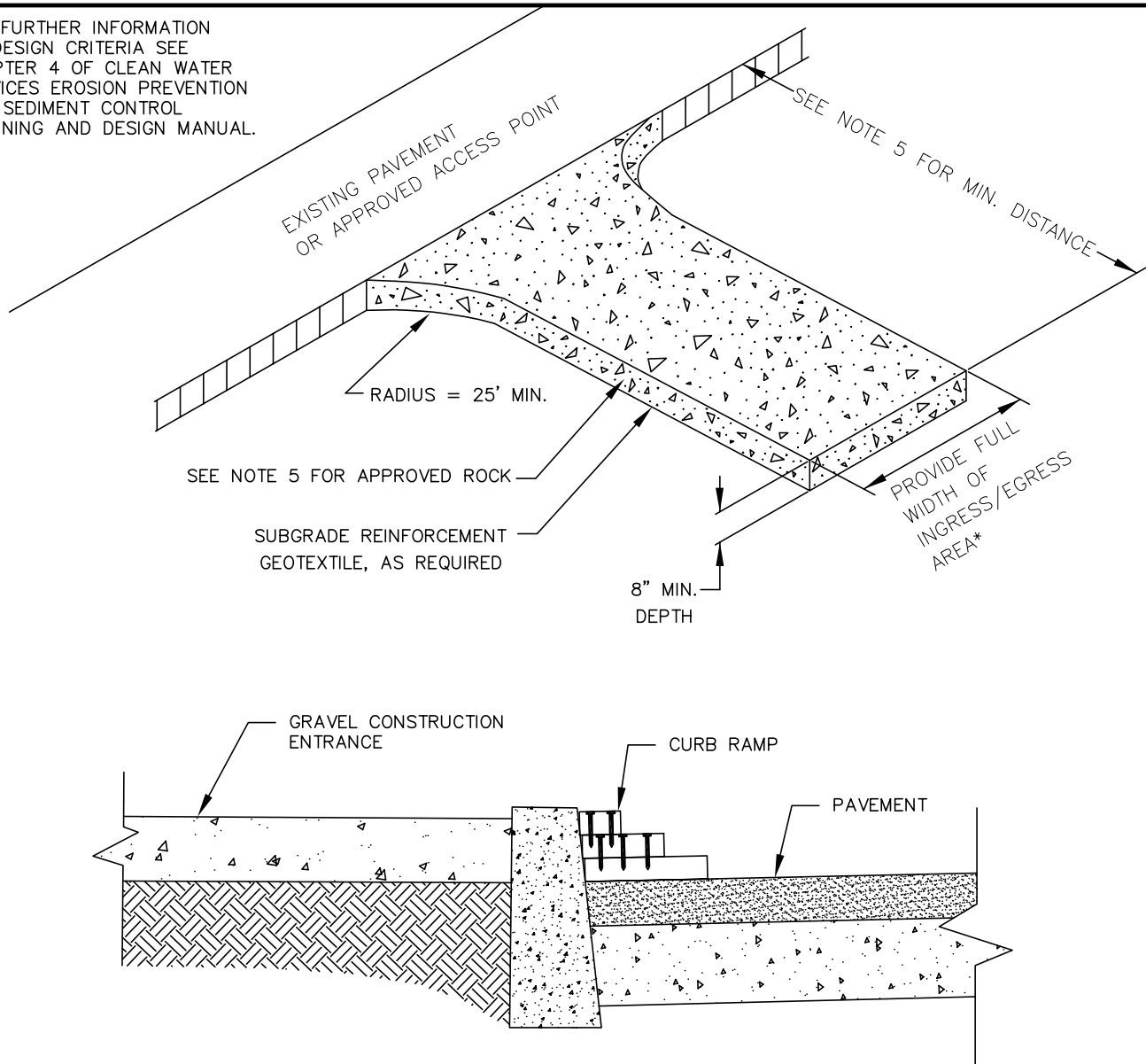
NOTE:

1. ESTABLISH VEGETATION AND/OR APPLY APPROVED EROSION PREVENTION BMPS IMMEDIATELY UPON CONSTRUCTION.

DIVERSION DIKE / SWALE



FOR FURTHER INFORMATION
ON DESIGN CRITERIA SEE
CHAPTER 4 OF CLEAN WATER
SERVICES EROSION PREVENTION
AND SEDIMENT CONTROL
PLANNING AND DESIGN MANUAL.



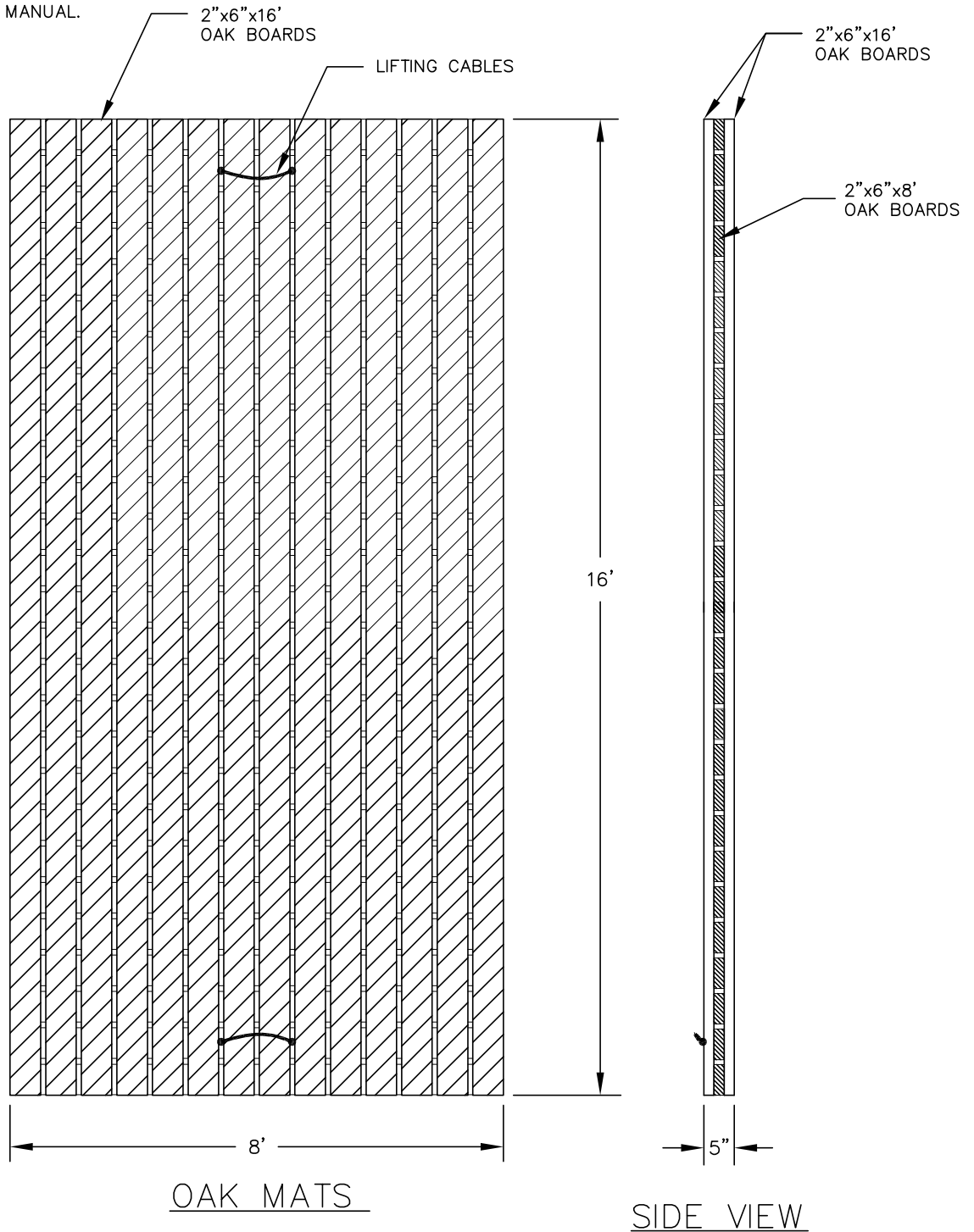
NOTES:

1. THE ENTRANCE SHALL BE MAINTAINED IN A CONDITION THAT WILL PREVENT TRACKING OR FLOWING OF SEDIMENT ONTO PUBLIC RIGHT-OF-WAYS. THIS MAY REQUIRE TOP DRESSING, REPAIR AND/OR CLEAN OUT OF ANY MEASURES USED TO TRAP SEDIMENT.
2. WHEN NECESSARY, WHEELS SHALL BE CLEANED PRIOR TO ENTRANCE ONTO PUBLIC RIGHT-OF- WAY.
3. WHEN WASHING IS REQUIRED, IT SHALL BE DONE ON AN AREA STABILIZED WITH CRUSHED STONE THAT DRAINS INTO AN APPROVED SEDIMENT TRAP OR SEDIMENT BASIN.
4. WHERE RUNOFF CONTAINING SEDIMENT LADEN WATER IS LEAVING THE SITE VIA THE CONSTRUCTION ENTRANCE, OTHER MEASURES SHALL BE IMPLEMENTED TO DIVERT RUNOFF THROUGH AN APPROVED FILTERING SYSTEM.
5. DIMENSIONS
SINGLE FAMILY
 20' LONG BY 20' WIDE 8" DEEP OF 3/4" MINUS CLEAN ROCK.
COMMERCIAL/SITE DEVELOPMENT
 50' LONG BY 20' WIDE 3-6" CLEAN ROCK, GOVERNING AUTHORITY MAY REQUIRE GEOTEXTILE FABRIC TO PREVENT SUB-SOIL PUMPING.

CONSTRUCTION ENTRANCE



FOR FURTHER INFORMATION
ON DESIGN CRITERIA SEE
CHAPTER 4 OF CLEAN WATER
SERVICES EROSION PREVENTION
AND SEDIMENT CONTROL
PLANNING AND DESIGN MANUAL.



NOTES:

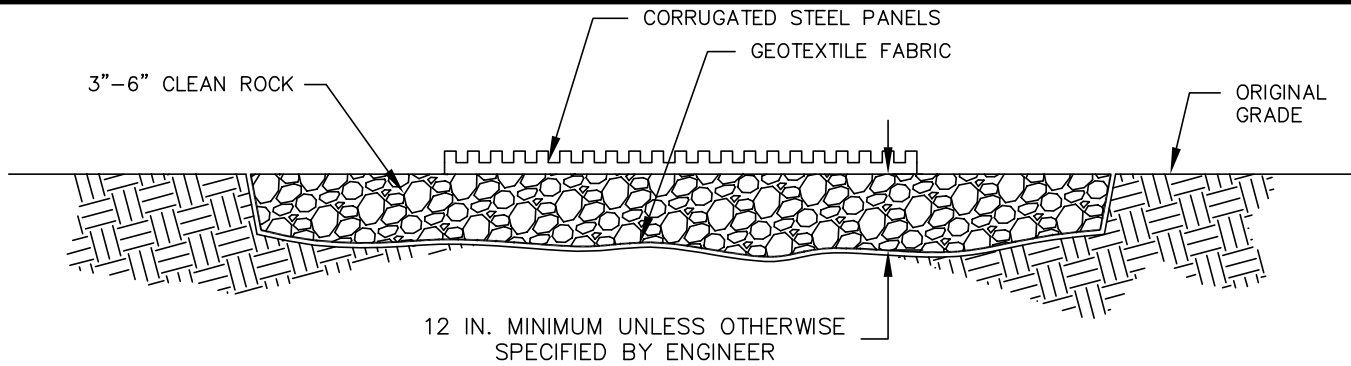
1. CONSTRUCTED OF 2"x6" OAK.
2. ALTERNATE MATTING SYSTEMS TO BE APPROVED BY CITY/DISTRICT.

OAK MATS

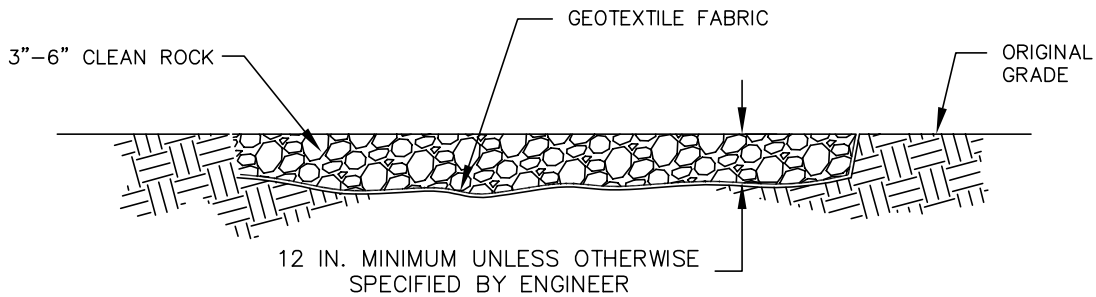
DRAWING NO. 860

REVISED 10-31-19

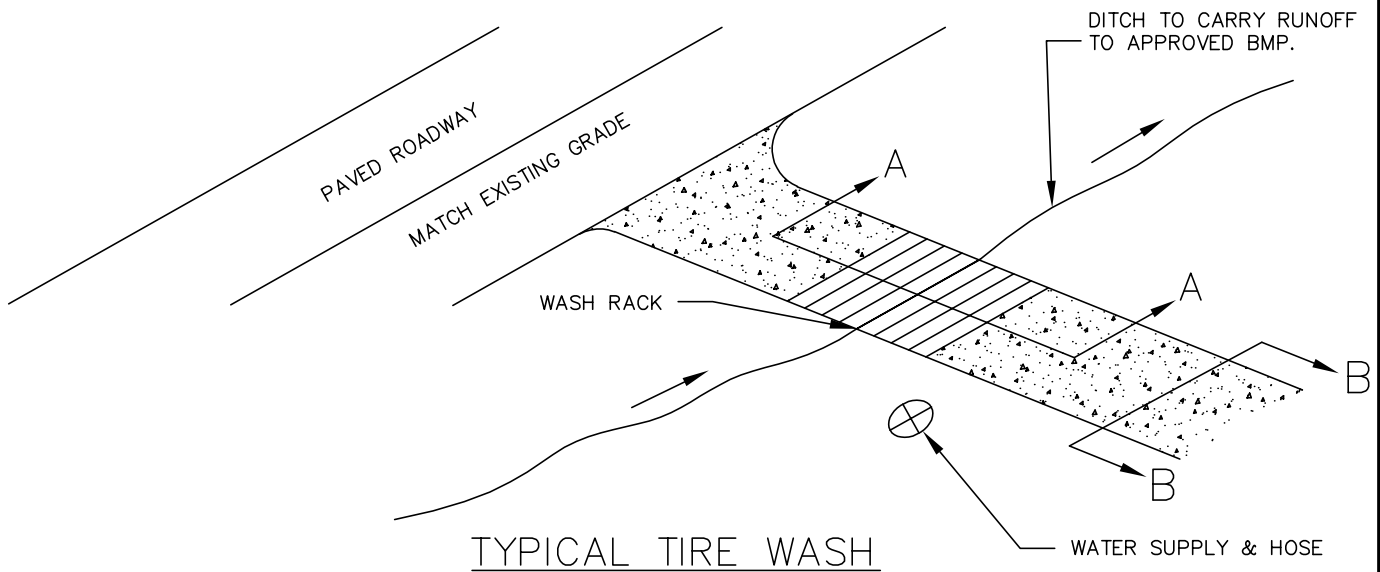




SECTION A-A



SECTION B-B



TYPICAL TIRE WASH

NOTE:

1. MANY DESIGNS CAN BE FIELD FABRICATED OR PRE-FABRICATED UNITS MAY BE USED

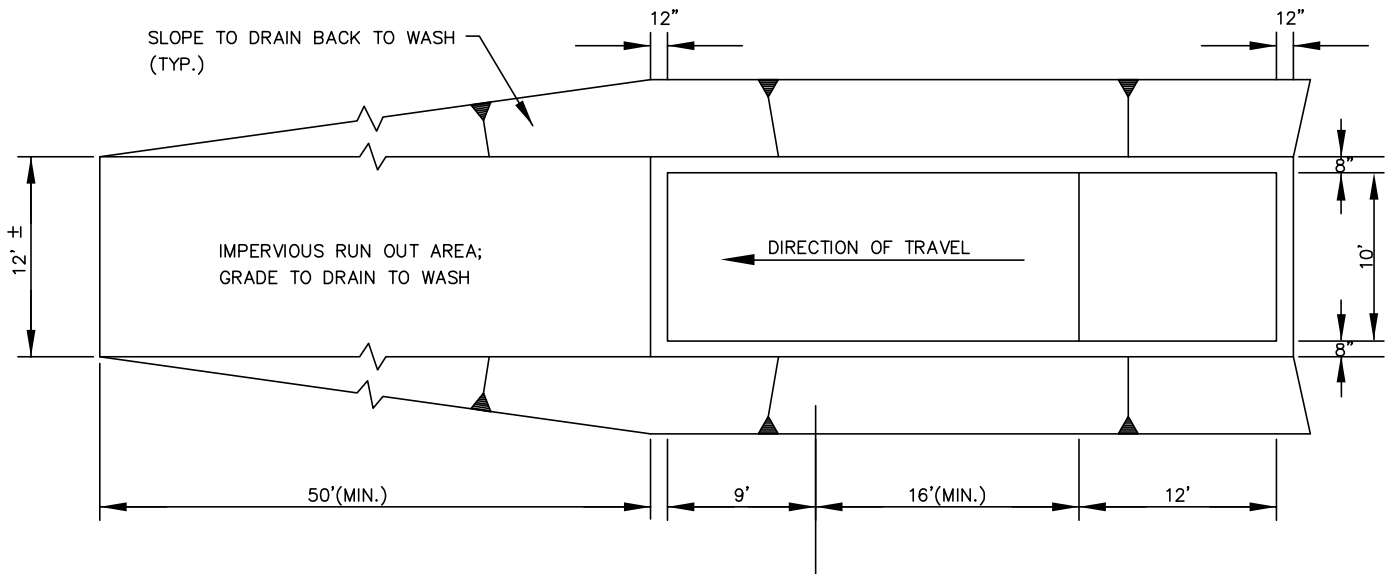
FOR FURTHER INFORMATION ON DESIGN CRITERIA SEE CHAPTER 4 OF CLEAN WATER SERVICES EROSION PREVENTION AND SEDIMENT CONTROL PLANNING AND DESIGN MANUAL.

TIRE WASH (MANUAL HOSE WASH)

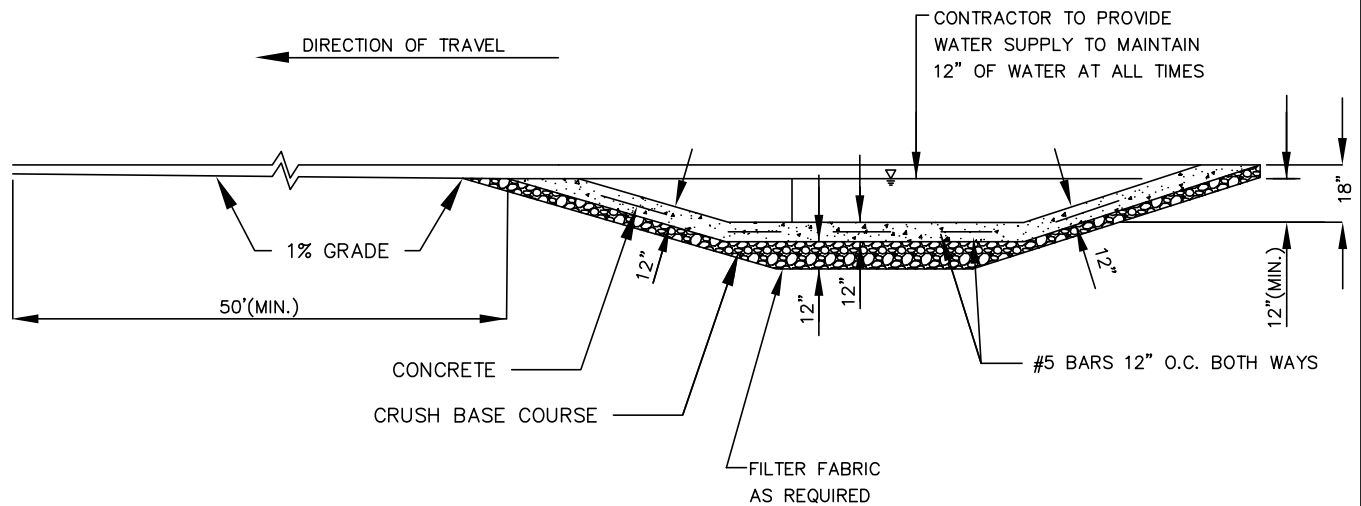
DRAWING NO. 865

REVISED 10-31-19





PLAN VIEW



PROFILE

NOTES:

1. CONTRACTOR TO REMOVE ACCUMULATED SEDIMENT AS NEEDED TO PREVENT TRACKING FROM TIRE WASH; SEDIMENT LADEN WATER MAY BE PIPED TO AN APPROVED BMP.
2. USE GEOTEXTILE FABRIC WITH AGGREGATE FOR A TEMPORARY TIRE WASH.

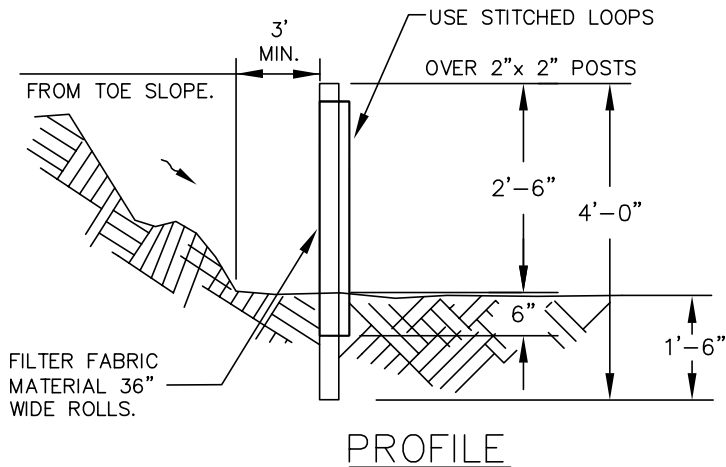
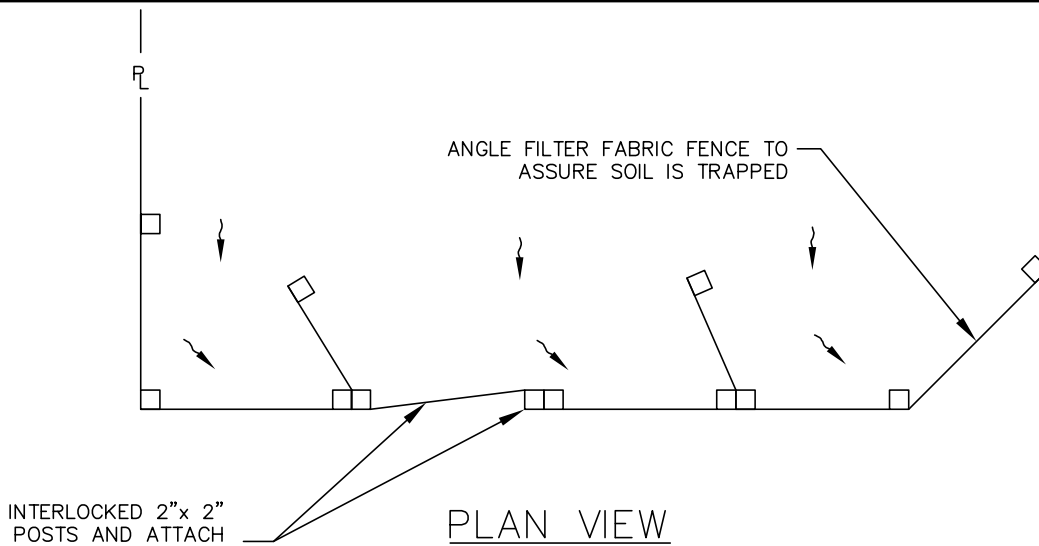
FOR FURTHER INFORMATION ON DESIGN CRITERIA SEE CHAPTER 4 OF CLEAN WATER SERVICES EROSION PREVENTION AND SEDIMENT CONTROL PLANNING AND DESIGN MANUAL.

TIRE WASH—(DRIVE—THROUGH)

DRAWING NO. 870

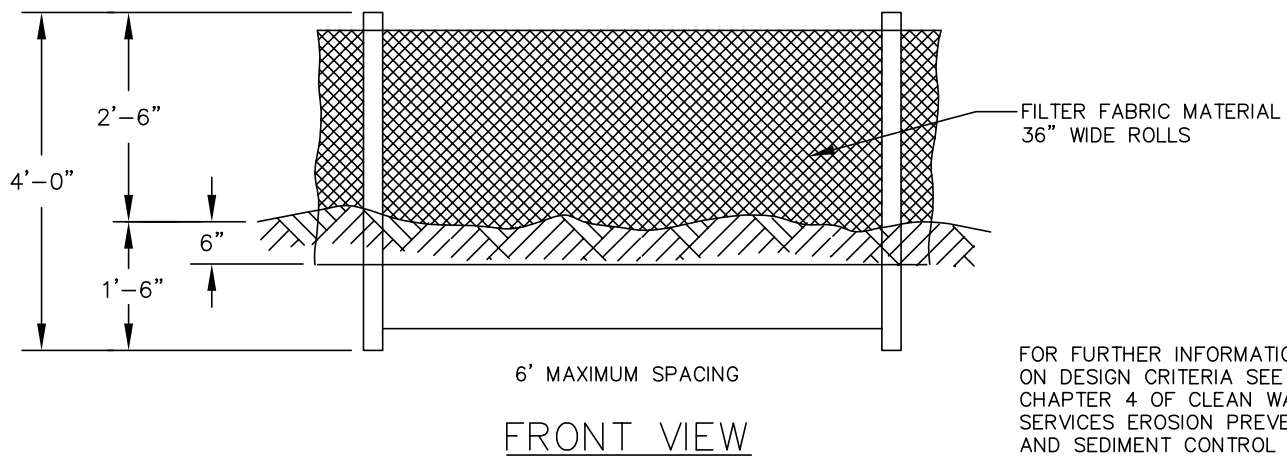
REVISED 10-31-19





NOTES:

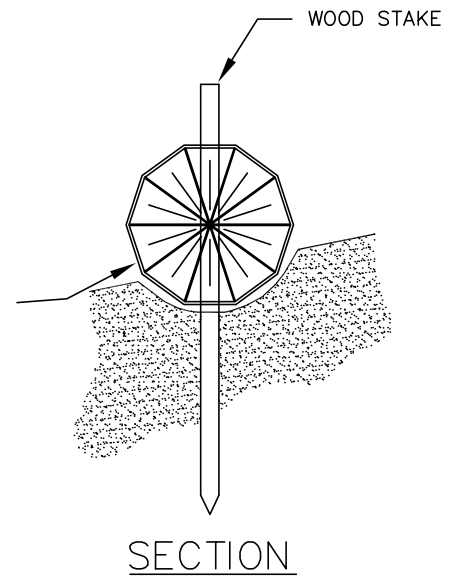
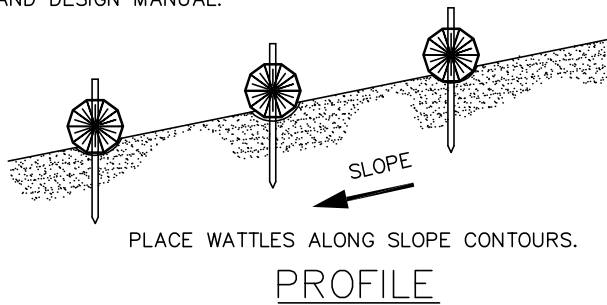
1. SEDIMENT FENCE TO HAVE STITCHED LOOPS AROUND 2" x 2" POSTS.
2. BURY BOTTOM OF FILTER FABRIC 6" VERTICALLY BELOW FINISHED GRADE.
3. 2" x 2" FIR, PINE OR STEEL FENCE POSTS.
4. POSTS TO BE INSTALLED ON UPHILL SIDE OF SLOPE.
5. COMPACT BOTH SIDES OF FILTER FABRIC TRENCH.
6. PANELS MUST BE PLACED ACCORDING TO SPACING ON DRAWING NO. 940.



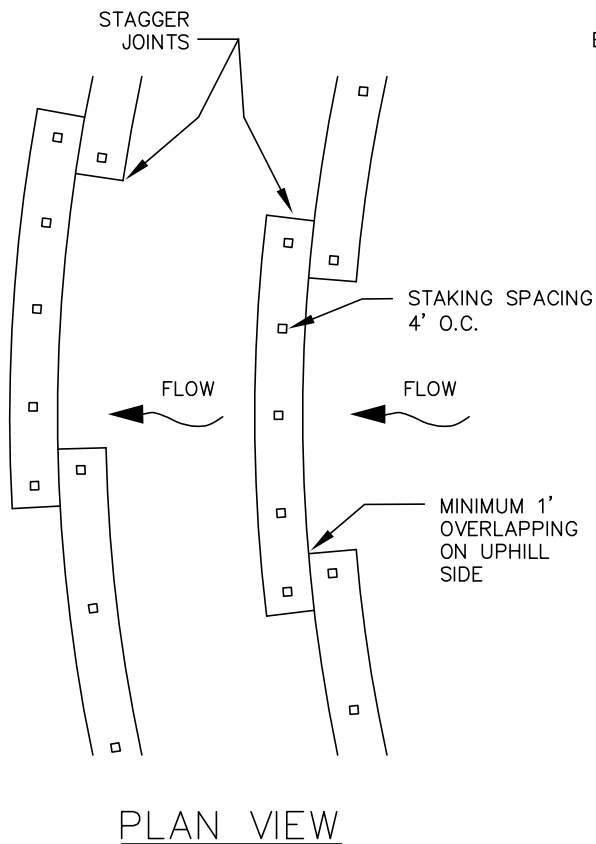
FOR FURTHER INFORMATION ON DESIGN CRITERIA SEE CHAPTER 4 OF CLEAN WATER SERVICES EROSION PREVENTION AND SEDIMENT CONTROL PLANNING AND DESIGN MANUAL.

SEDIMENT FENCE

FOR FURTHER INFORMATION
ON DESIGN CRITERIA SEE
CHAPTER 4 OF CLEAN WATER
SERVICES EROSION PREVENTION
AND SEDIMENT CONTROL
PLANNING AND DESIGN MANUAL.



WHEAT STRAW, RYE
GRASS STRAW,
COCONUT OR
EXCELSIOR WATTLES



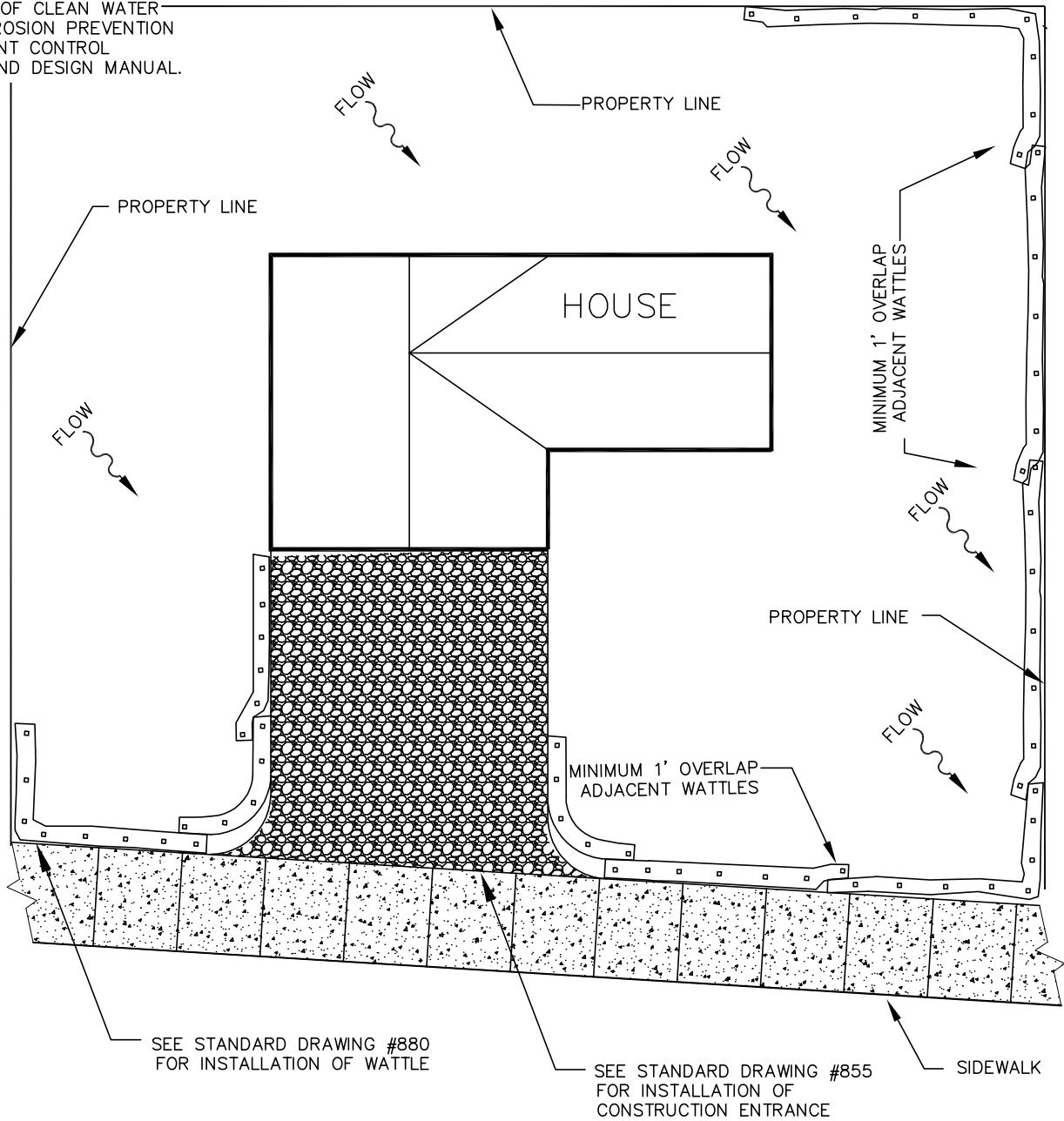
NOTES:

1. STAKING SPECIFICATIONS:
 - a. 1"X2" WOODEN STAKES
 - b. ADDITIONAL STAKES MAY BE INSTALLED ON DOWNHILL SIDE OF WATTLES, ON STEEP SLOPE OR HIGHLY EROSION SOILS.
2. SPACING IN ACCORDANCE WITH DETAIL 940.
3. REMOVE ALL ROCKS, CLODS, VEGETATION OR OTHER OBSTRUCTIONS SO THAT THE INSTALLED WATTLES WILL HAVE DIRECT CONTACT WITH THE SOIL.
4. INSTALL THE WATTLES IN A 2" DEEP TRENCH, INSURING THAT NO GAPS EXIST BETWEEN THE SOIL AND THE BOTTOM OF THE WATTLE. THE ENDS OF ADJACENT WATTLES SHALL BE OVERLAPPED 1 FT. MINIMUM TO PREVENT SEDIMENT PASSING THROUGH THE FIELD JOINT.

WATTLES



FOR FURTHER INFORMATION
ON DESIGN CRITERIA SEE
CHAPTER 4 OF CLEAN WATER
SERVICES EROSION PREVENTION
AND SEDIMENT CONTROL
PLANNING AND DESIGN MANUAL.



PLAN VIEW

NOTES:

1. SEE STANDARD DRAWING #880 FOR INSTALLATION OF WATTLES..
2. ALTERNATE MATERIALS MAY BE USED AS APPROVED BY DISTRICT OR CITY.
3. PERIMETER MEASURES INSTALLED AS NEEDED.

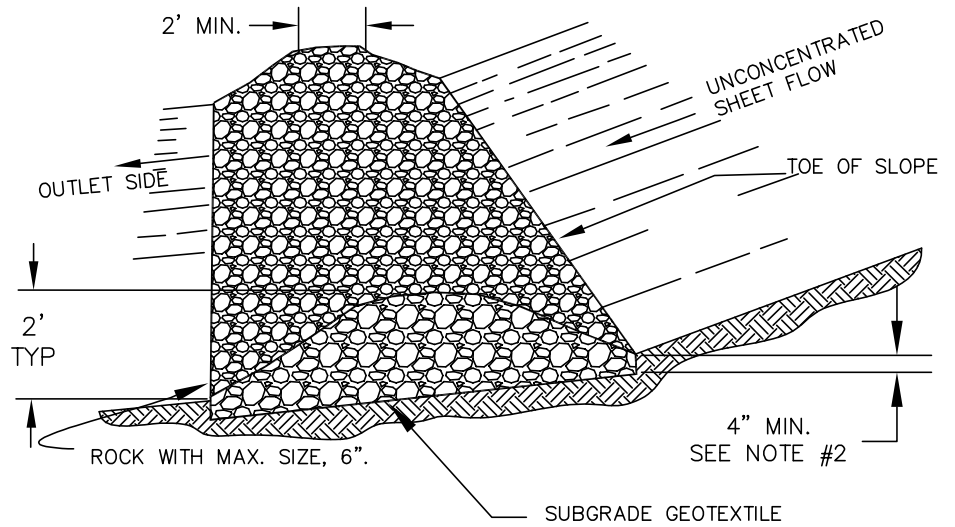
WATTLES SINGLE FAMILY APPLICATION



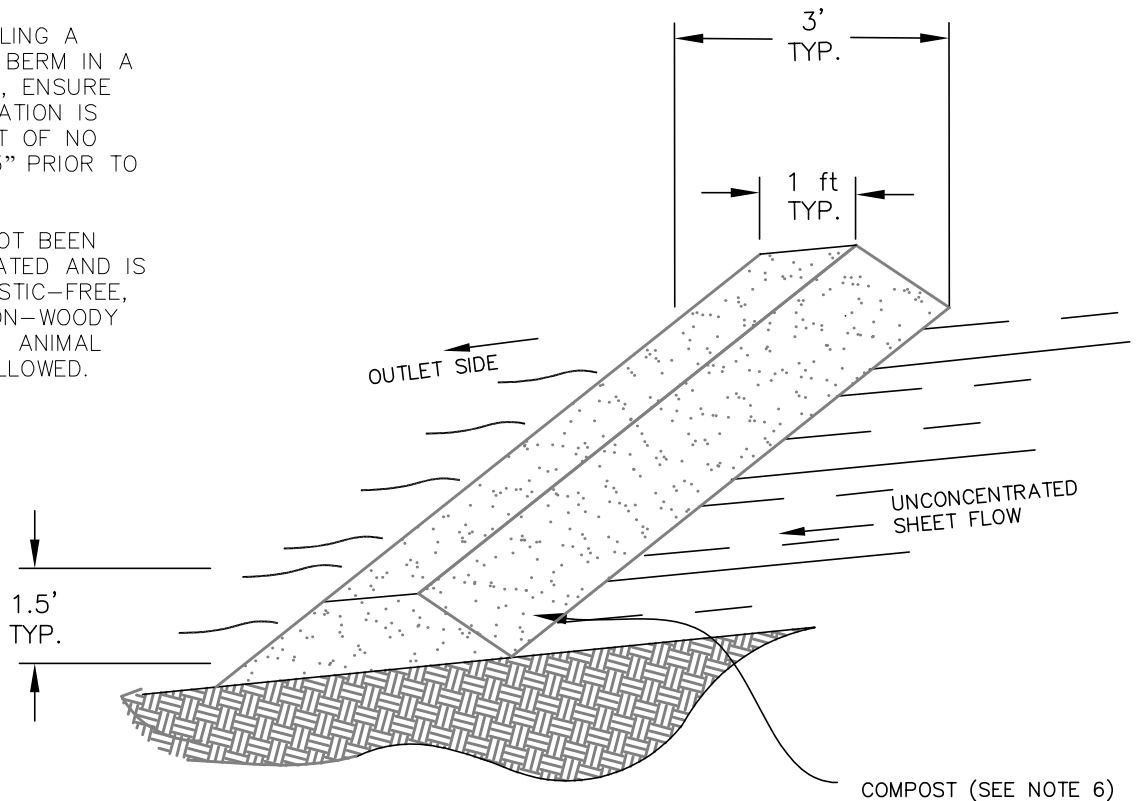
FOR FURTHER INFORMATION ON DESIGN CRITERIA SEE CHAPTER 4 OF CLEAN WATER SERVICES EROSION PREVENTION AND SEDIMENT CONTROL PLANNING AND DESIGN MANUAL.

NOTES:

1. DIRECT THE OUTLET SIDE OF THE ROCK/COMPOST FILTER BERMS ONTO A STABILIZED AREA, SUCH AS VEGETATION AND/OR ROCK.
2. EMBED ROCK FILTER BERM A MIN. OF 4" INTO THE EXISTING GROUND/EMBANKMENT.
3. USE ROCK FILTER BERM ON 3H:1V OR FLATTER SIDE SLOPES. WITHIN THE SAFETY CLEAR ZONE. USE 6H:1V OR FLATTER ON SIDE SLOPES.
4. PLACE COMPOST FILTER BERMS ALONG OR ON THE GROUND CONTOUR WITH THE ENDS TURNED UP SLOPE.
5. PRIOR TO INSTALLING A COMPOST FILTER BERM IN A VEGETATED AREA, ENSURE THAT THE VEGETATION IS CUT TO A HEIGHT OF NO GREATER THAN 3" PRIOR TO INSTALLATION.
6. COMPOST HAS NOT BEEN CHEMICALLY TREATED AND IS WEED-FREE, PLASTIC-FREE, DECOMPOSED, NON-WOODY PLANT MATERIAL; ANIMAL WASTE IS NOT ALLOWED.



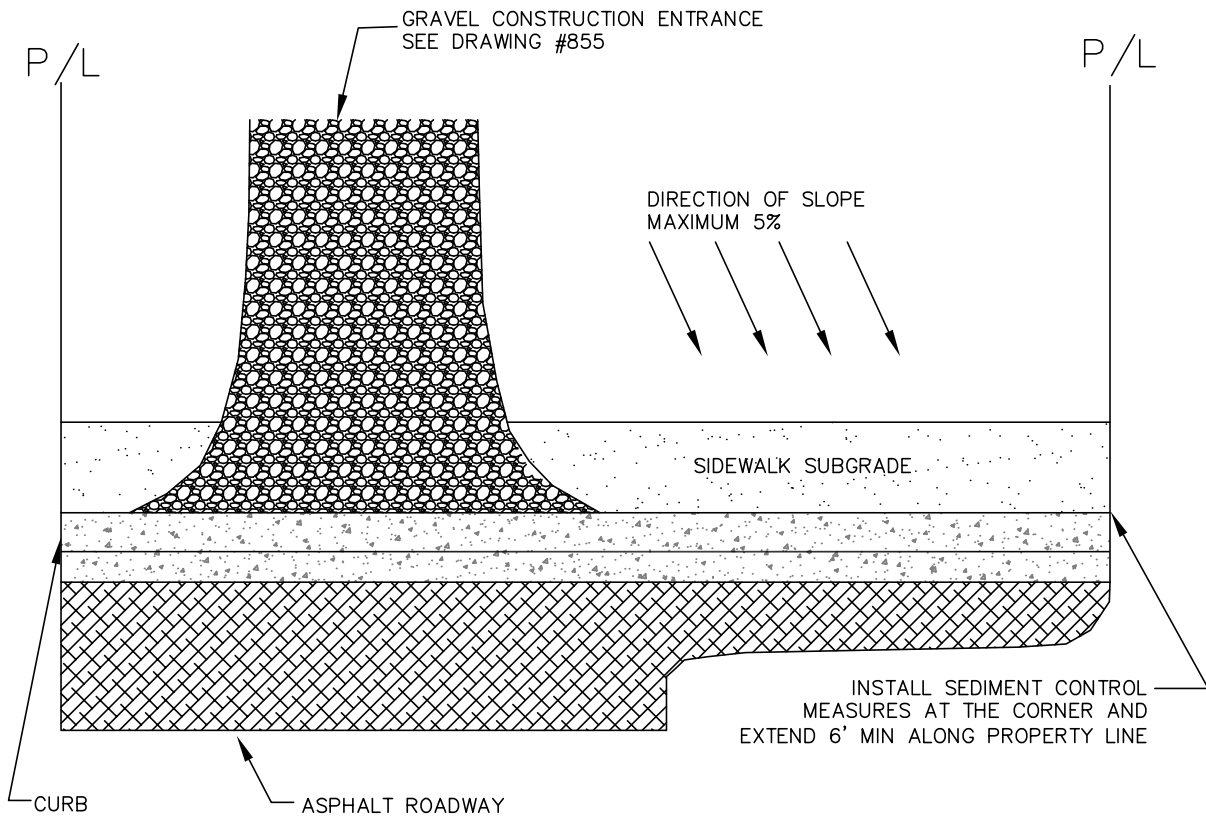
ROCK FILTER BERM



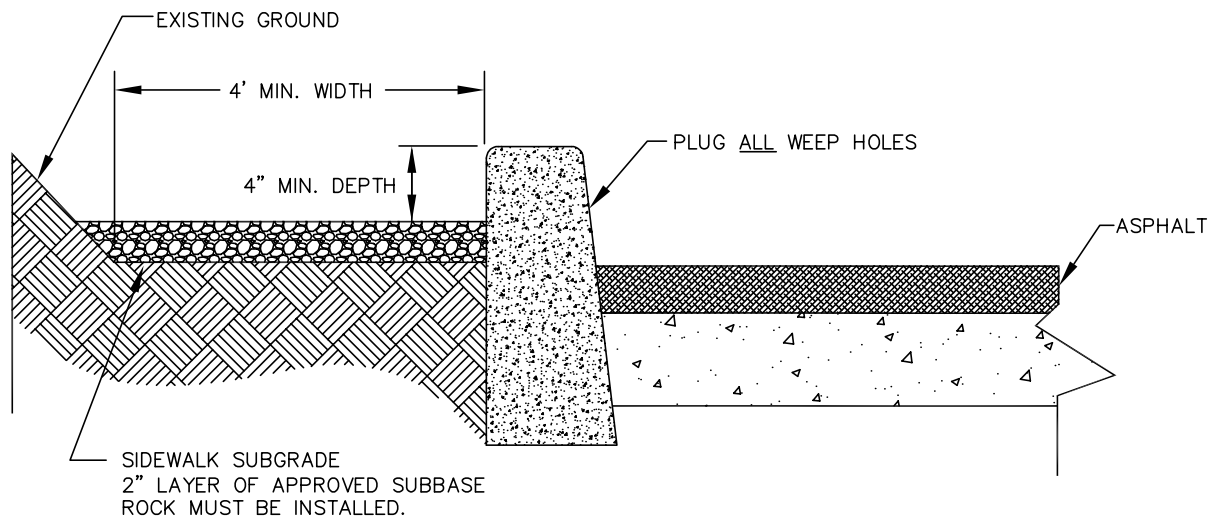
COMPOST FILTER BERM

FILTER BERMS
ROCK/COMPOST





PLAN VIEW



PROFILE

NOTE:

1. SIDEWALK SUBGRADE CAN BE USED FOR ALL CONSTRUCTION ACTIVITIES.

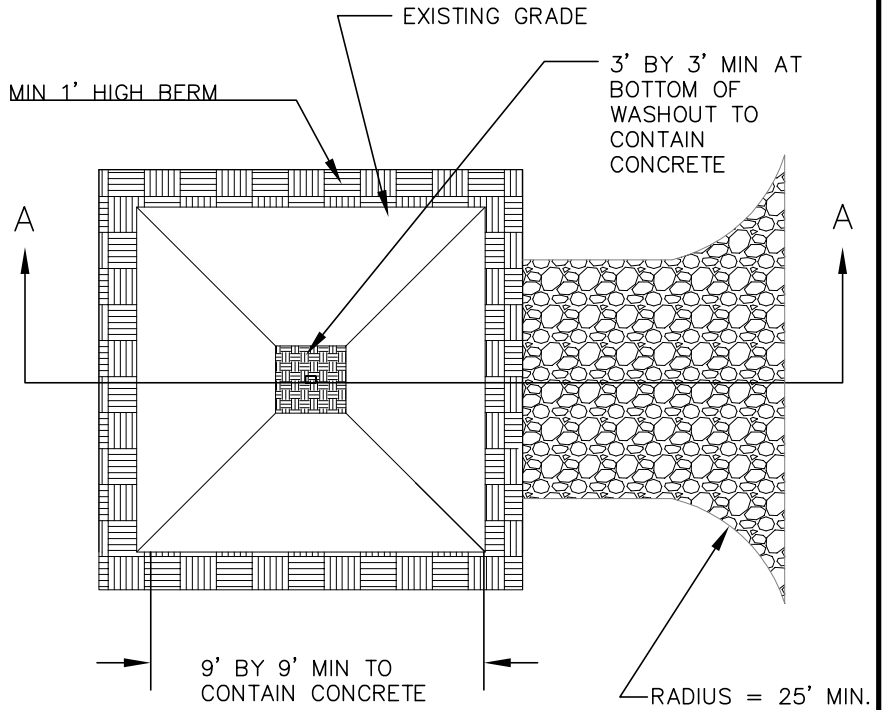
FOR FURTHER INFORMATION ON DESIGN CRITERIA SEE CHAPTER 4 OF CLEAN WATER SERVICES EROSION PREVENTION AND SEDIMENT CONTROL PLANNING AND DESIGN MANUAL.

SIDEWALK SUBGRADE

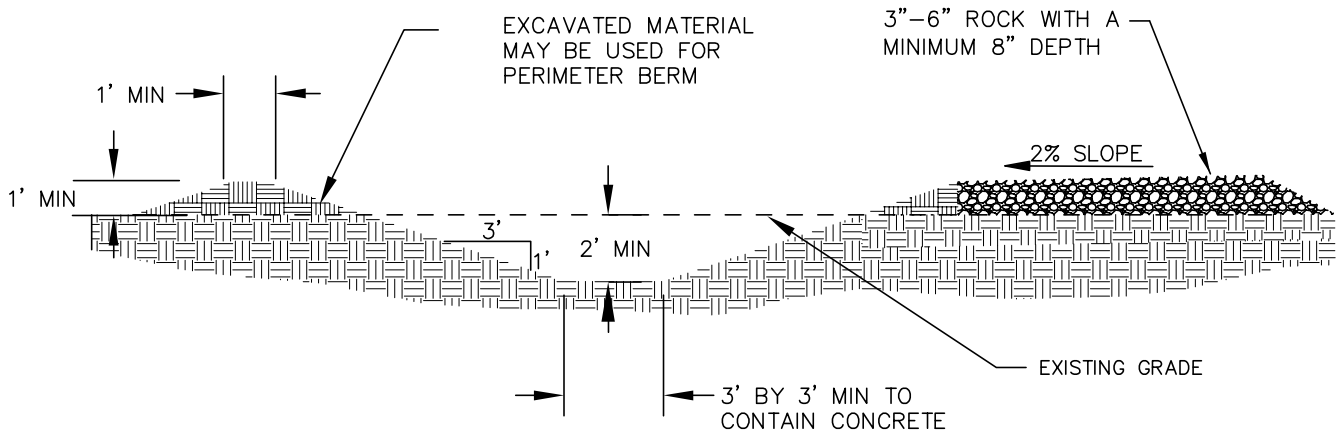


NOTES:

1. WASHOUT FACILITIES SHALL BE MAINTAINED TO PROVIDE ADEQUATE HOLDING CAPACITY WITH A MINIMUM FREEBOARD OF 12 INCHES.
2. WASHOUT FACILITIES MUST BE CLEANED, OR NEW FACILITIES MUST BE CONSTRUCTED AND READY FOR USE ONCE THE WASHOUT IS 75% FULL.
3. IF THE WASHOUT IS NEARING CAPACITY, VACUUM AND DISPOSE OF THE WASTE MATERIAL IN AN APPROVED MANNER.
4. TEMPORARY CONCRETE WASHOUT FACILITIES SHALL BE LOCATED A MINIMUM OF 50 FT FROM SENSITIVE AREAS INCLUDING OPEN DRAINAGE FACILITIES AND WATER SOURSES.
5. CONCRETE WASHOUT FACILITIES SHALL BE CONSTRUCTED AND MAINTAINED IN SUFFICIENT QUANTITY AND SIZE TO CONTAIN ALL LIQUID AND CONCRETE WASTE GENERATED BY WASHOUT OPERATIONS.
6. INSTALL CONCRETE WASHOUT SIGN WITHIN 30 FEET OF TEMPORARY CONCRETE WASHOUT FACILITY.
7. TEMPORARY CONCRETE WASHOUTS MAY BE A PREFABRICATED CONTAINER THAT IS PORTABLE AND REUSABLE.



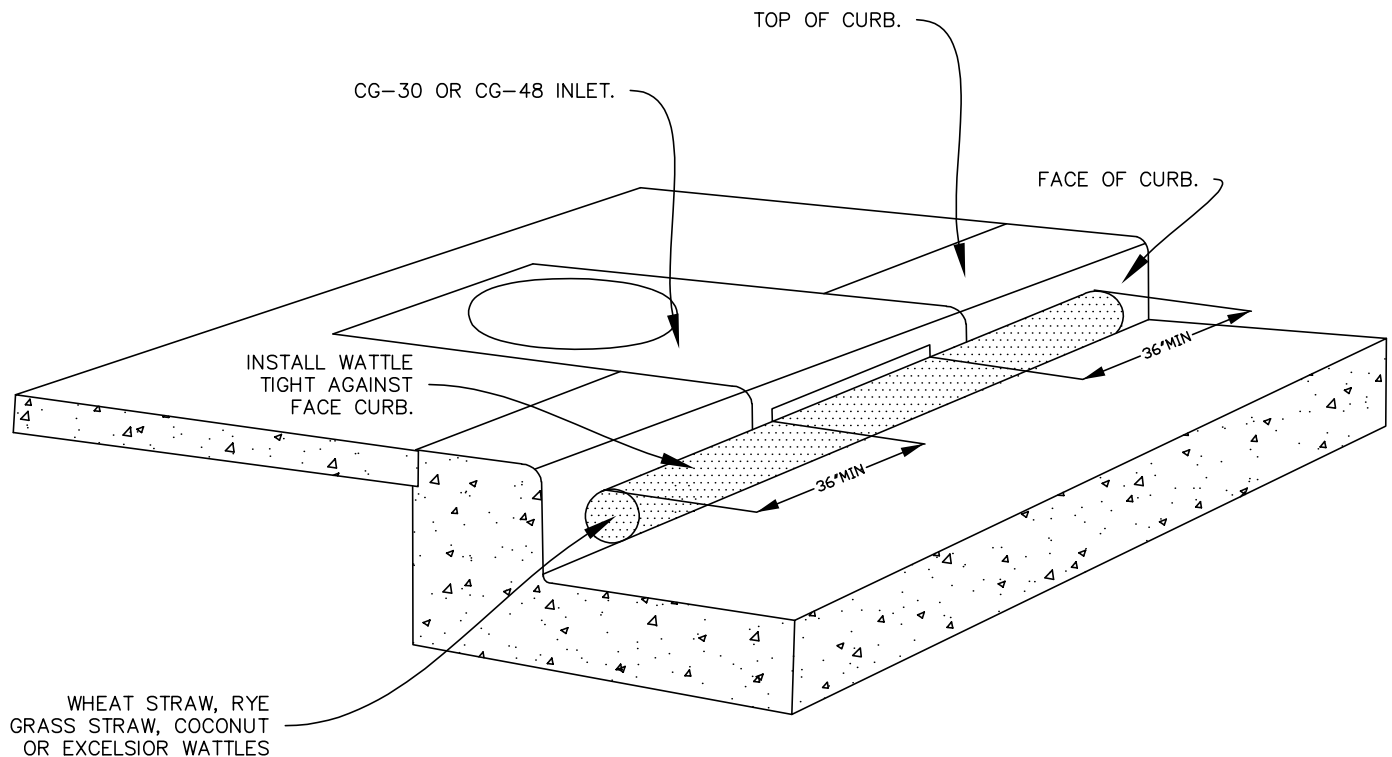
PLAN



SECTION A-A

CONCRETE WASHOUT





PERSPECTIVE VIEW SHOWING WATTLE
ALONG GUTTER AT CURB INLET

NOTES:

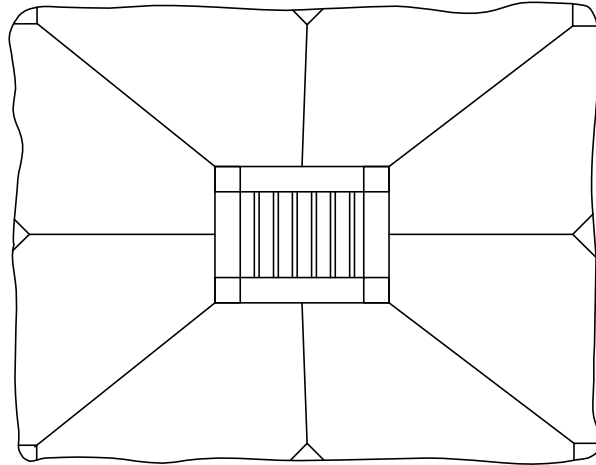
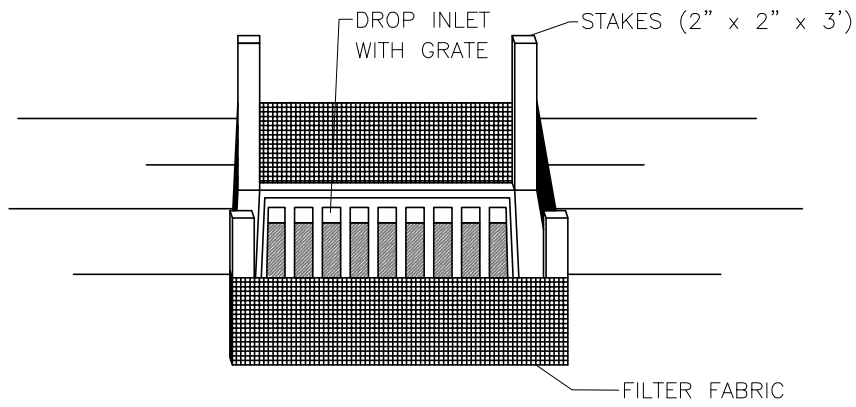
1. ONLY ALLOWED USE OF APPLICATION IS ON CURB AND GUTTER INLETS.
2. INSTALL WATTLE ALONG INLET WITH WATTLE EXTENDING A MIN OF 36" BEYOND INLET OPENINGS IN EACH DIRECTION.
3. WATTLE MUST BE INSTALLED TIGHTLY AGAINST CURB. MAY REQUIRE ADDITIONAL MEASURES TO ENSURE WATTLE REMAINS TIGHT AGAINST CURB, SUCH AS USING ZIP TIES TO SECURE WATTLE TO INLET'S TRASH BARS OR USING SANDBAGS TO WEIGHT DOWN WATTLE.
4. REPLACE WATTLE AS NECESSARY TO PREVENT SEDIMENT FROM ENTERING THE STORM SYSTEM.

CURB AND GUTTER INLET PROTECTION

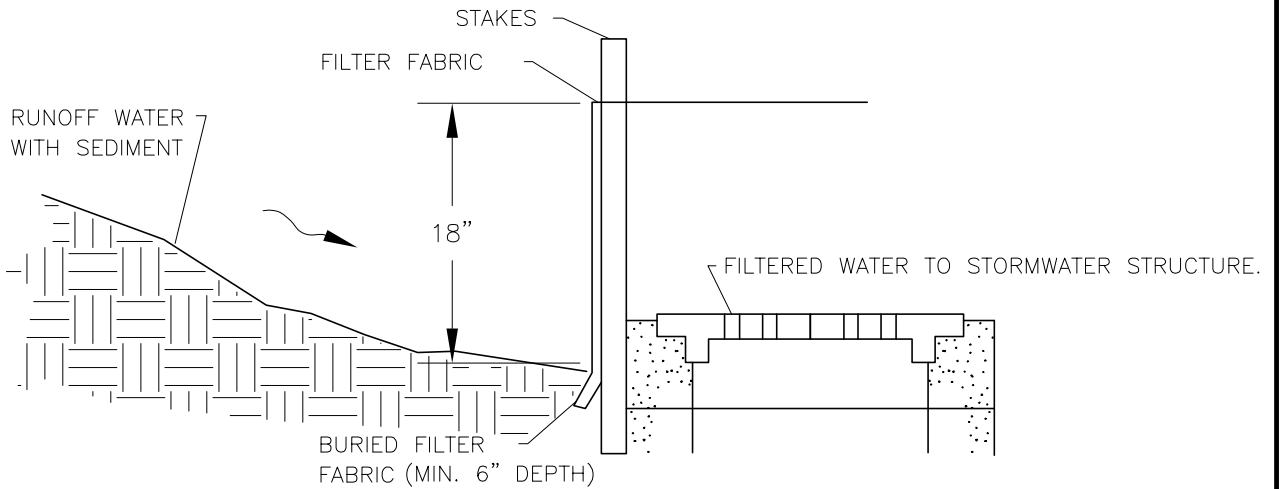
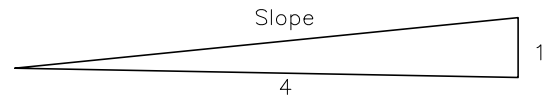


DRAWING NO. 905

REVISED 10-31-19



PLAN VIEW
Slope 4H:1V



PROFILE

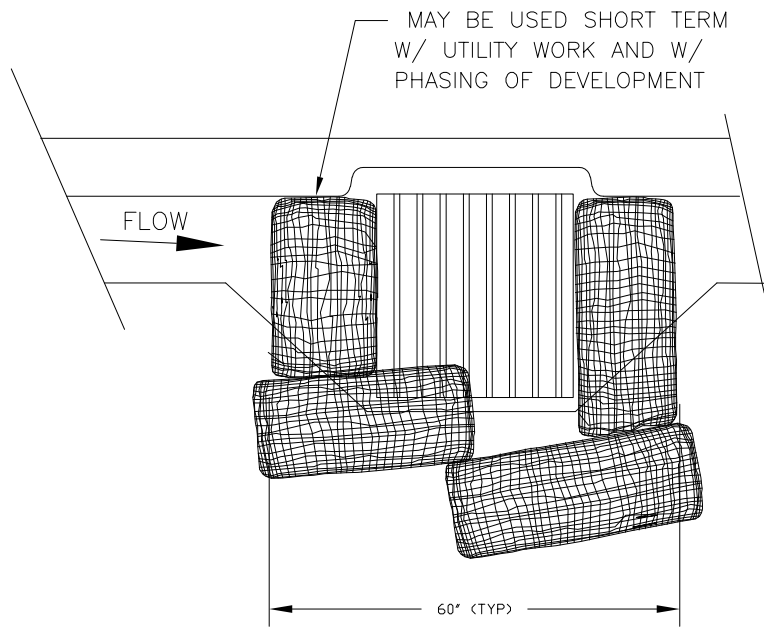
FOR FURTHER INFORMATION
ON DESIGN CRITERIA SEE
CHAPTER 4 OF CLEAN WATER
SERVICES EROSION PREVENTION
AND SEDIMENT CONTROL
PLANNING AND DESIGN MANUAL.

INLET PROTECTION TYPE 3

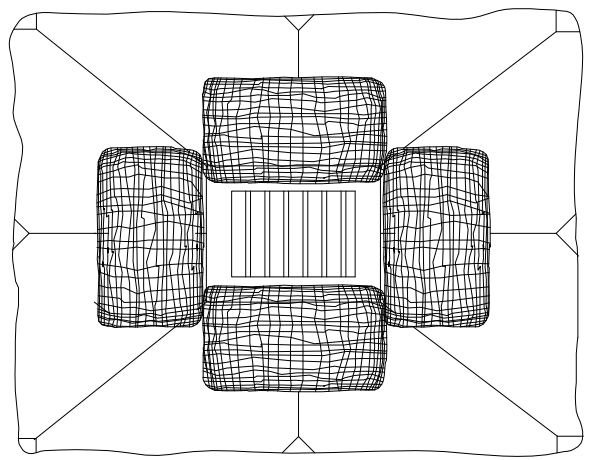
DRAWING NO. 910

REVISED 10-31-19

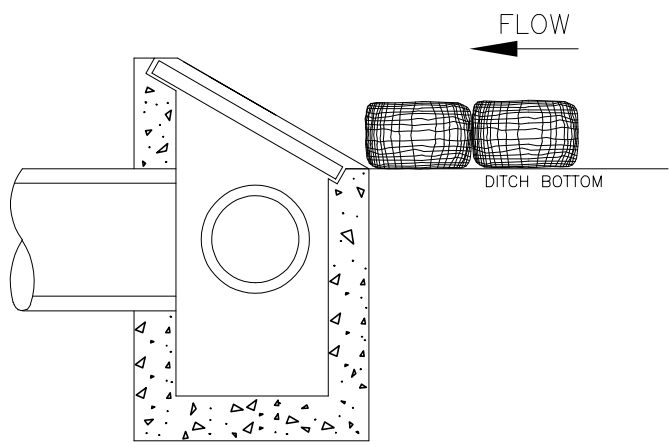




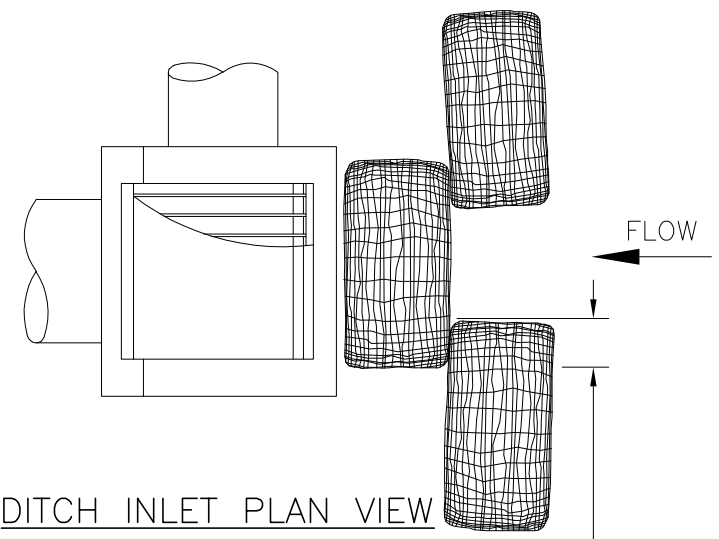
CATCH BASIN



AREA DRAIN



DITCH INLET



DITCH INLET PLAN VIEW

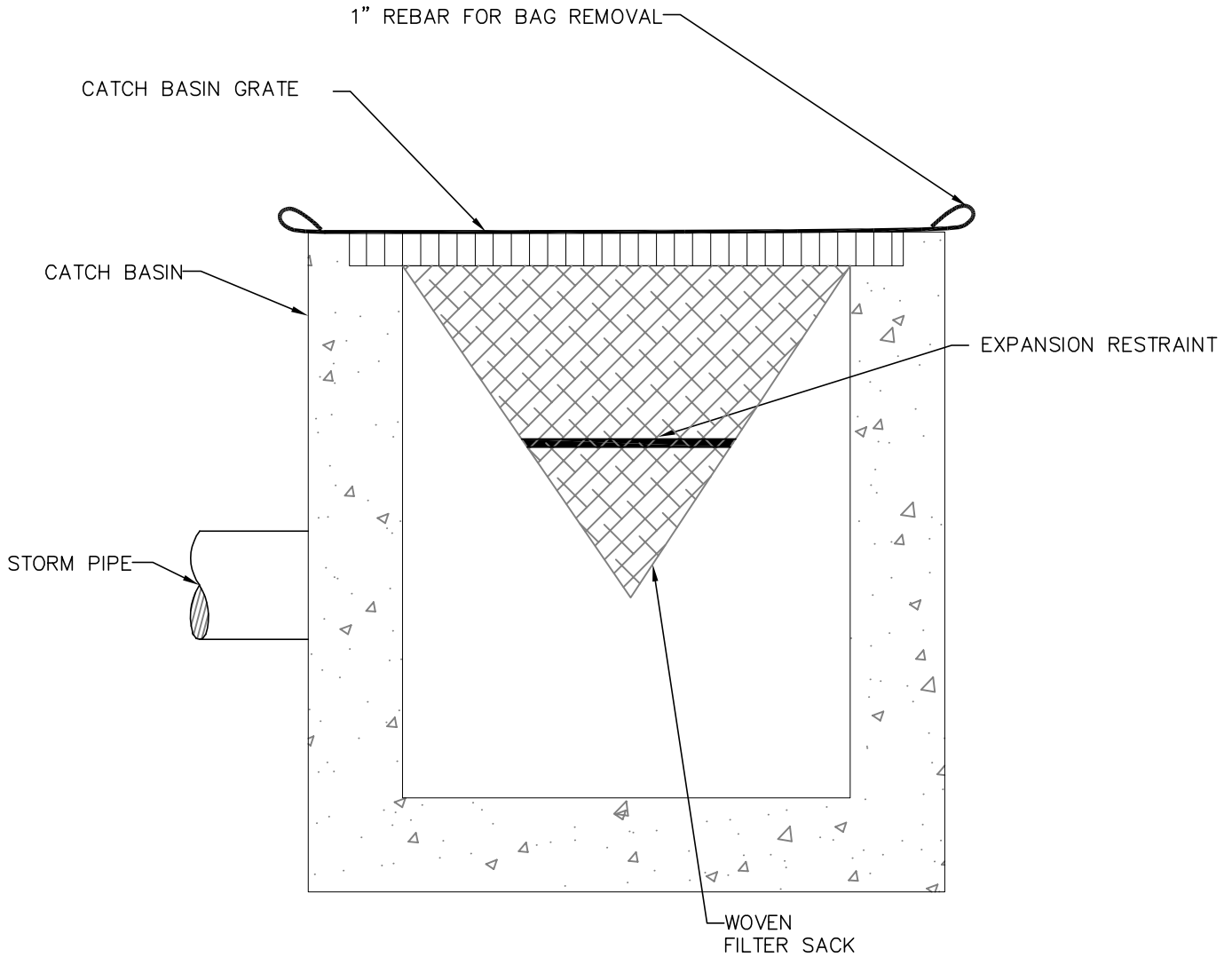
6" overlap of bags.

NOTES:

1. ADDITIONAL MEASURES MUST BE CONSIDERED DEPENDING ON SOIL TYPES.
2. BIO-FILTER BAGS SHOULD BE STAKED WHERE APPLICABLE USING (2) 1"x2" WOODEN STAKES OR APPROVED EQUAL PER BAG.
3. WHEN USING 30" BIO-BAGS TO PROTECT A CATCH BASIN YOU HAVE 4 BAGS AND THEY SHALL BE OVERLAPPED BY 6".

FOR FURTHER INFORMATION ON DESIGN CRITERIA SEE CHAPTER 4 OF CLEAN WATER SERVICES EROSION PREVENTION AND SEDIMENT CONTROL PLANNING AND DESIGN MANUAL.

INLET PROTECTION TYPE 4



CATCH BASIN INSERT

NOTE:

1. RECESSED CURB INLET CATCH BASINS MUST BE BLOCKED WHEN USING FILTER FABRIC INLET SACKS. SIZE OF FILTER FABRIC INLET SACKS TO BE DETERMINED BY MANUFACTURER.

FOR FURTHER INFORMATION ON DESIGN CRITERIA SEE CHAPTER 4 OF CLEAN WATER SERVICES EROSION PREVENTION AND SEDIMENT CONTROL PLANNING AND DESIGN MANUAL.

INLET PROTECTION
TYPE 5

DRAWING NO. 920

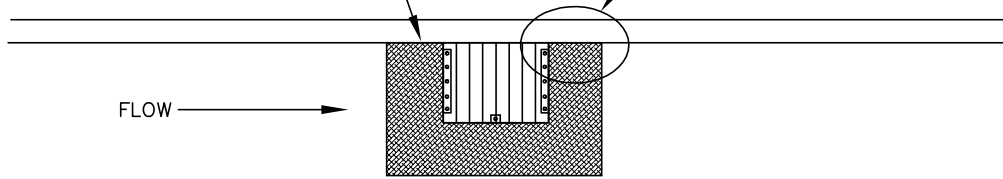
REVISED 10-31-19



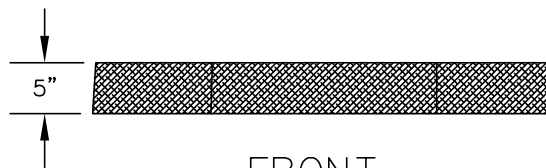
FOR FURTHER INFORMATION
ON DESIGN CRITERIA SEE
CHAPTER 4 OF CLEAN WATER
SERVICES EROSION PREVENTION
AND SEDIMENT CONTROL
PLANNING AND DESIGN MANUAL.

MAY BE USED SHORT TERM W / UTILITY
WORK AND W / PHASING OF DEVELOPMENT

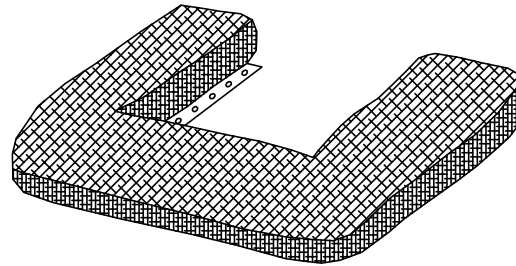
TIGHT TO CURB



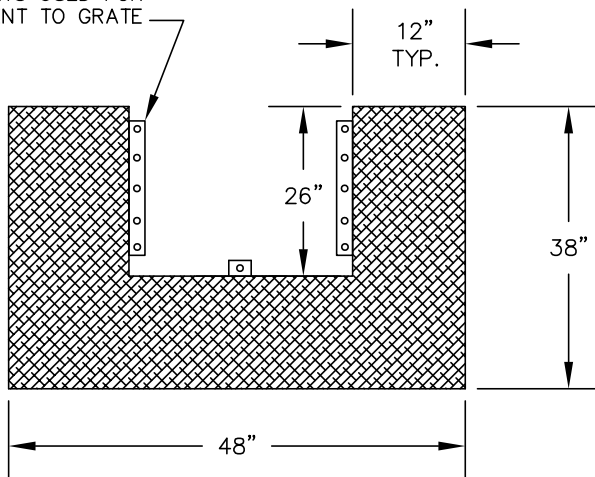
CATCH BASIN



FRONT



GROMMETS USED FOR
ATTACHMENT TO GRATE



TOP

INSTALLATION NOTES:

1. INSTALL SOLID FABRIC SIDE DOWN MESH SIDE UP.
2. ATTACH TO CATCH BASIN GRATE AT A MINIMUM OF 3 LOCATIONS TIGHT TO CURB WITH 1/4" ZIP TIES.

MAINTENANCE NOTES:

1. ANY VISIBLE SIGN OF SEDIMENT ACCUMULATION TO BE CLEANED UP AT THE END OF EACH WORKDAY.
2. REPLACE U - SHAPED FILTER BAG AS NECESSARY TO PREVENT WOOD CHIPS FROM ENTERING THE STORM SYSTEM.

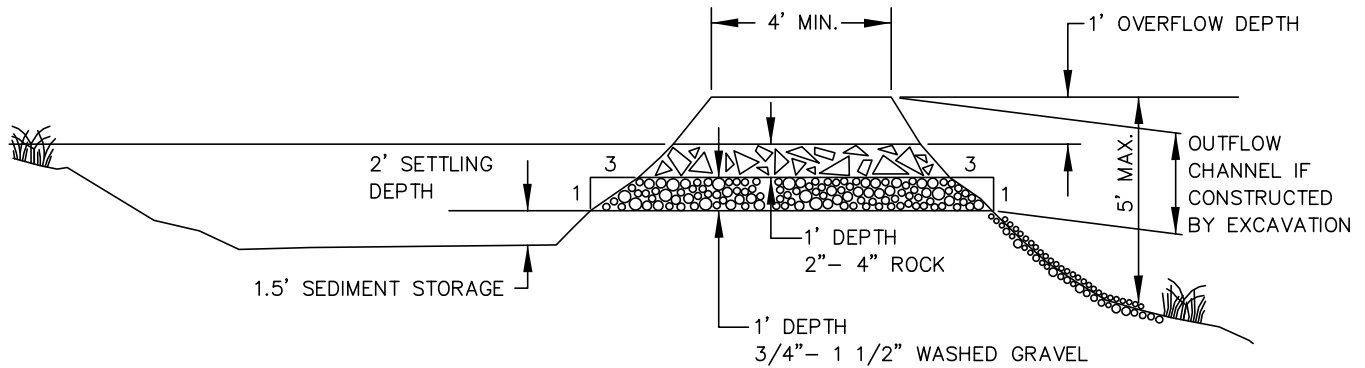
INLET PROTECTION
TYPE 6



DRAWING NO. 925

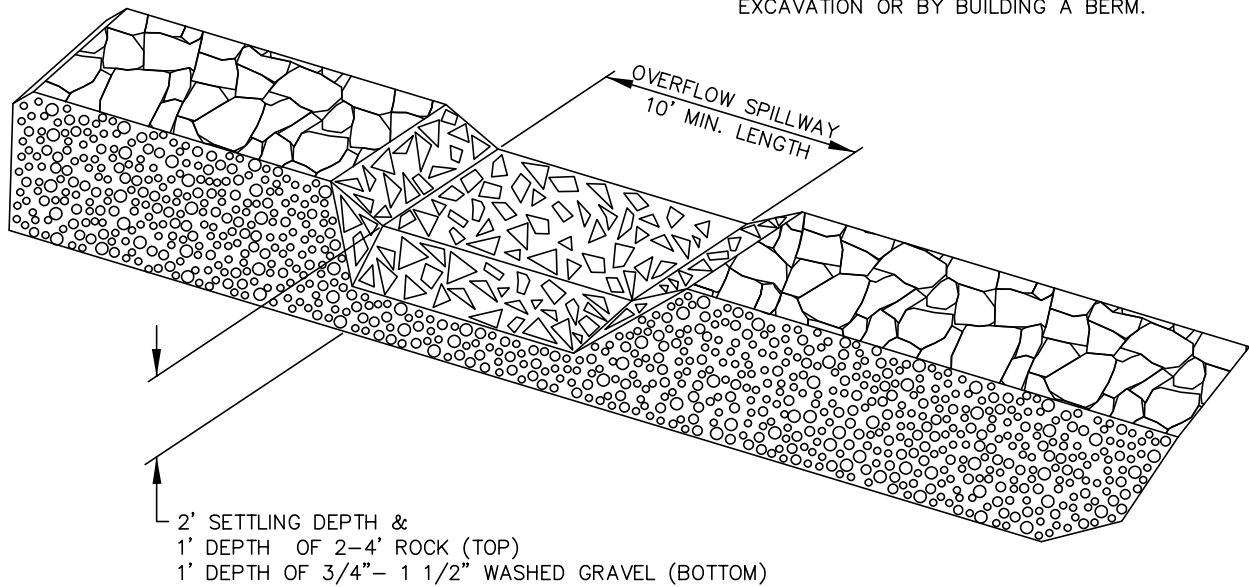
REVISED 10-31-19

FOR FURTHER INFORMATION
ON DESIGN CRITERIA SEE
CHAPTER 4 OF CLEAN WATER
SERVICES EROSION PREVENTION
AND SEDIMENT CONTROL
PLANNING AND DESIGN MANUAL.



CROSS SECTION

NOTE: MAY BE CONSTRUCTED BY
EXCAVATION OR BY BUILDING A BERM.



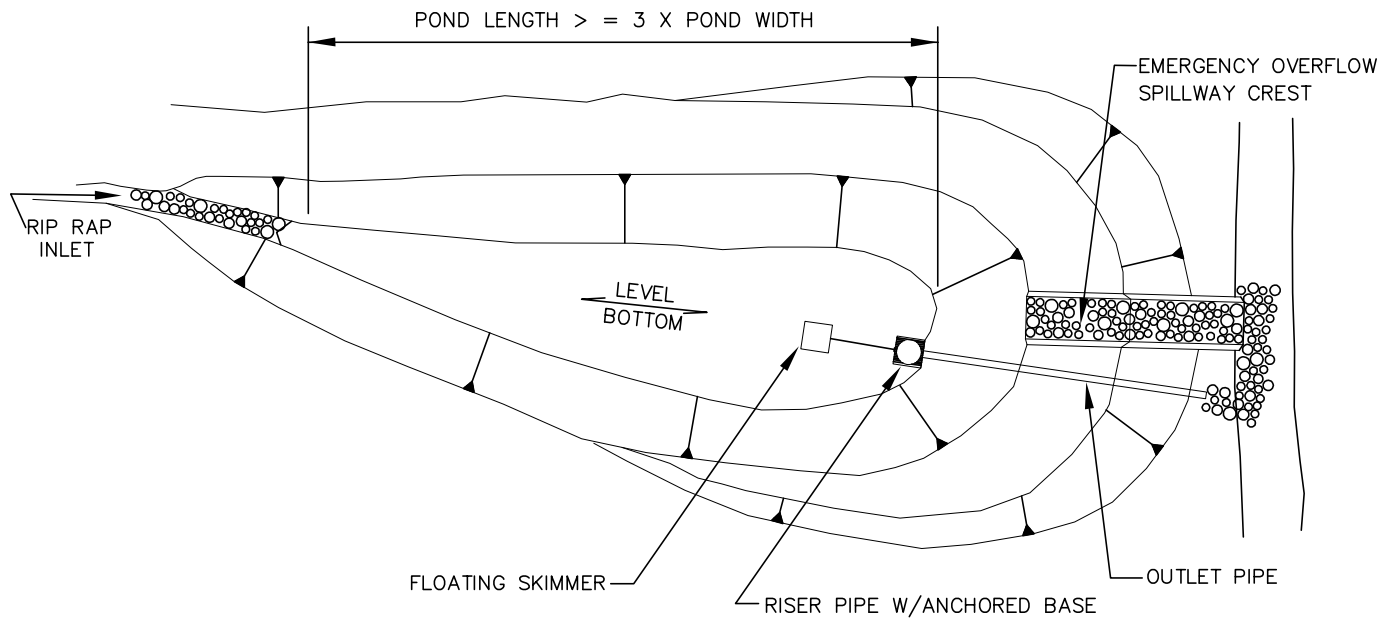
SEDIMENT TRAP OUTLET
NOT TO SCALE

NOTE:

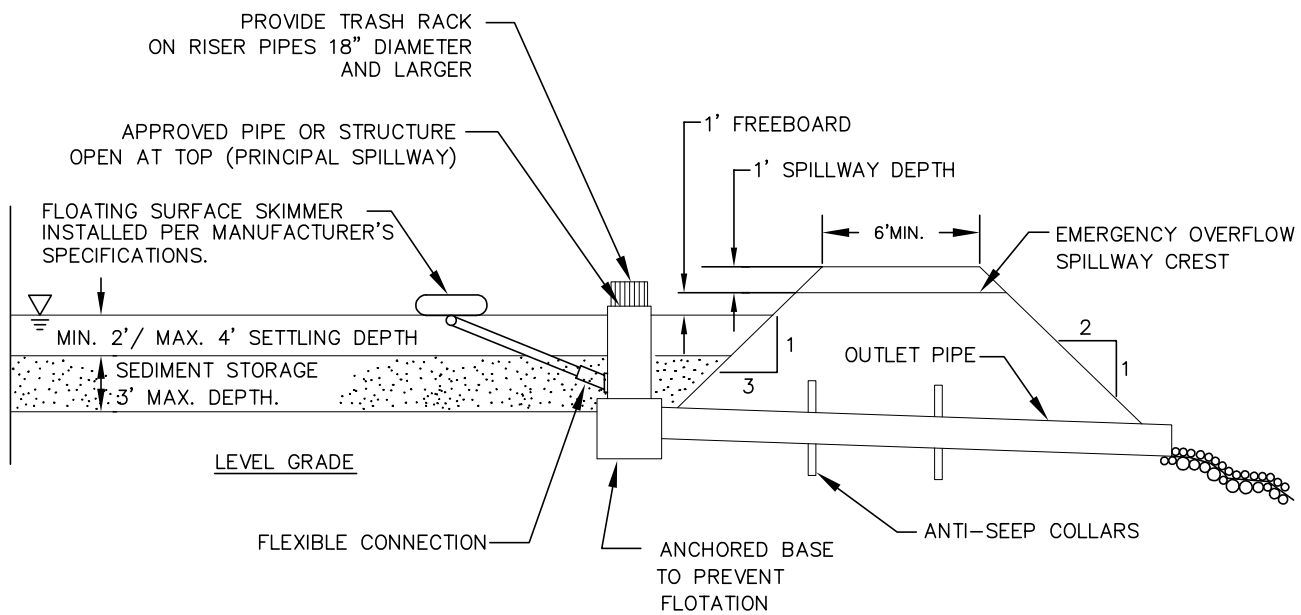
1. ADDITIONAL BMPS MAY BE REQUIRED TO FILTER RUNOFF FROM THE SEDIMENT TRAP PRIOR TO DISCHARGE FROM THE CONSTRUCTION SITE.

SEDIMENT TRAP





PLAN VIEW



PROFILE

NOTE:

1. 50' MINIMUM OF HIGHLY VEGETATED AREA AND/OR SEDIMENT FENCE IS REQUIRED PRIOR TO DISCHARGING TO STREAM OR WETLAND.

FOR FURTHER INFORMATION ON DESIGN CRITERIA SEE CHAPTER 4 OF CLEAN WATER SERVICES EROSION PREVENTION AND SEDIMENT CONTROL PLANNING AND DESIGN MANUAL.

SEDIMENT BASIN



DRAWING NO. 935

REVISED 10-31-19

FOR FURTHER INFORMATION
ON DESIGN CRITERIA SEE
CHAPTER 4 OF CLEAN WATER
SERVICES EROSION PREVENTION
AND SEDIMENT CONTROL
PLANNING AND DESIGN MANUAL.

SPACING FOR CHECK DAMS

DITCH GRADE			
	6 INCH	12 INCH	18 INCH
6%	NOT ALLOWED	16 FT O.C.	26 FT O.C.
5%	NOT ALLOWED	20 FT	30 FT
4%	NOT ALLOWED	26 FT	40 FT
3%	15 FT	33 FT	50 FT
2%	25 FT	50 FT	80 FT

BARRIER SPACING FOR GENERAL APPLICATION

INSTALL PARALLEL ALONG CONTOURS AS FOLLOWS

% SLOPE	SLOPE H:V	MAXIMUM SPACING ON SLOPE
10% OR FLATTER	10:1 OR FLATTER	300 FT
>10% OR <15%	>10:1 OR <7.5:1	150 FT
>15% OR <20%	>7.5:1 OR <5:1	100 FT
>20% OR <30%	>5:1 OR <3.5:1	50 FT
>30% OR <50%	>3.5:1 OR <2:1	25 FT

NOTE:

1. FOR MORE INFORMATION REGARDING THESE TABLES SEE CHAPTER 4 OF CLEAN WATER SERVICES EROSION PREVENTION AND SEDIMENT CONTROL DESIGN MANUAL.

SPACING TABLES

DRAWING NO. 940

REVISED 10-31-19



NOTES:

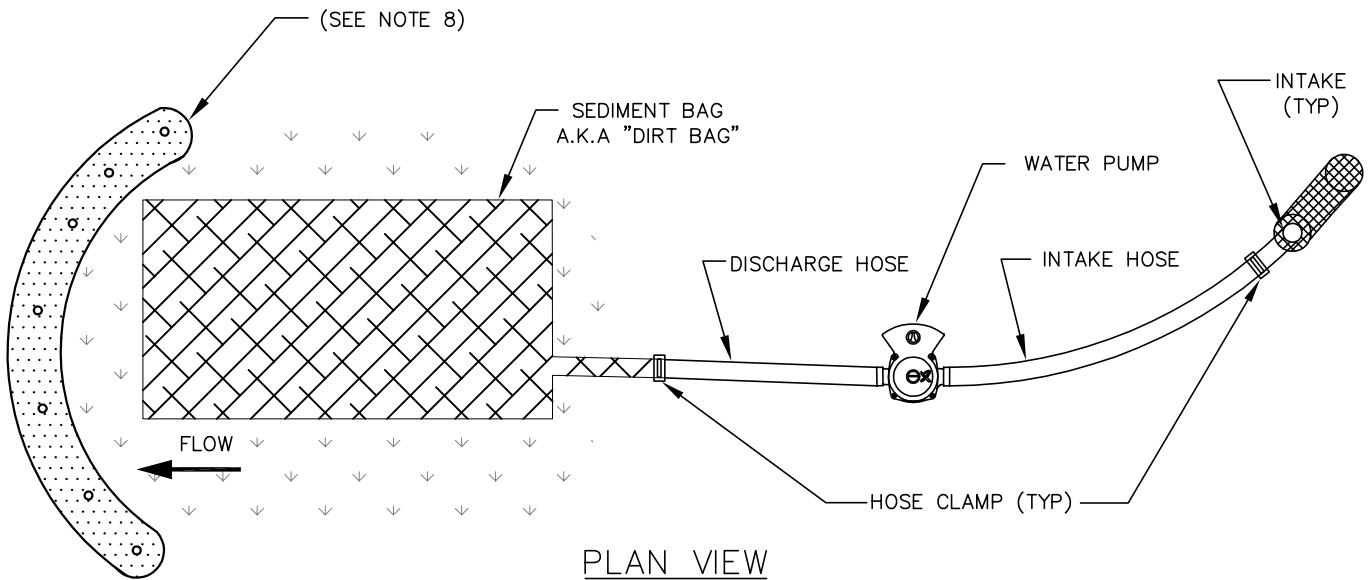
1. WHEN RAINFALL AND RUNOFF OCCURS, A KNOWLEDGEABLE AND EXPERIENCED PERSON IN THE PRINCIPLES, PRACTICES, INSTALLATION, AND MAINTENANCE OF EROSION AND SEDIMENT CONTROLS WHO WORKS FOR THE PERMITTEE MUST PROVIDE DAILY INSPECTIONS OF THE EROSION AND SEDIMENT CONTROLS AND DISCHARGE OUTFALLS.
2. CONSTRUCTION ACTIVITIES MUST AVOID OR MINIMIZE EXCAVATION AND CREATION OF BARE GROUND FROM OCTOBER 1 THROUGH MAY 31ST EACH YEAR.
3. DURING WET WEATHER PERIOD, TEMPORARY STABILIZATION OF THE SITE MUST OCCUR AT THE END OF EACH WORK DAY.
4. SEDIMENT CONTROLS MUST BE INSTALLED AND MAINTAINED ON ALL DOWN GRADIENT SIDES OF THE CONSTRUCTION SITE AT ALL TIMES DURING CONSTRUCTION. THEY MUST REMAIN IN PLACE UNTIL PERMANENT VEGETATION OR OTHER PERMANENT COVERING OF EXPOSED SOIL IS ESTABLISHED.
5. ALL ACTIVE INLETS MUST HAVE SEDIMENT CONTROLS INSTALLED AND MAINTAINED AT ALL TIMES DURING CONSTRUCTION.
6. SIGNIFICANT AMOUNTS OF SEDIMENT THAT LEAVES THE SITE MUST BE CLEANED UP WITHIN 24 HOURS AND PLACED BACK ON THE SITE AND STABILIZED OR PROPERLY DISPOSED. THE CAUSE OF THE SEDIMENT RELEASE MUST BE FOUND AND PREVENTED FROM CAUSING A RECURRENCE OF THE DISCHARGE WITHIN THE SAME 24 HOURS. ANY IN-STREAM CLEAN UP OF SEDIMENT SHALL BE PERFORMED ACCORDING TO THE OREGON DEPARTMENT OF STATE LANDS REQUIRED TIME FRAME.
7. SEDIMENT MUST NOT BE INTENTIONALLY WASHED INTO STORM SEWERS, DRAINAGE WAYS, OR WATER BODIES.
8. SEDIMENT MUST BE REMOVED FROM BEHIND ALL SEDIMENT CONTROL MEASURES WHEN IT HAS REACHED A HEIGHT OF 1/3-RD THE BARRIER HEIGHT AND PRIOR TO THE CONTROL MEASURES REMOVAL.
9. CLEANING OF ALL STRUCTURES WITH SUMPS MUST OCCUR WHEN THE SEDIMENT RETENTION CAPACITY HAS BEEN REDUCED BY 50% AND AT COMPLETION OF PROJECT.
10. ANY USE OF TOXIC OR OTHER HAZARDOUS MATERIALS MUST INCLUDE PROPER STORAGE, APPLICATION, AND DISPOSAL.
11. THE PERMITTEE MUST PROPERLY MANAGE HAZARDOUS WASTES, USED OILS, CONTAMINATED SOILS, CONCRETE WASTE, SANITARY WASTE, LIQUID WASTE, OR OTHER TOXIC SUBSTANCES DISCOVERED OR GENERATED DURING CONSTRUCTION.
12. THE APPLICATION RATE OF FERTILIZERS USED TO REESTABLISH VEGETATION MUST FOLLOW MANUFACTURER'S RECOMMENDATIONS. NUTRIENT RELEASES FROM FERTILIZERS TO SURFACE WATERS MUST BE MINIMIZED. TIME RELEASE FERTILIZERS SHOULD BE USED AND CARE SHOULD BE MADE IN APPLICATION OF FERTILIZERS WITHIN ANY WATER WAY RIPARIAN ZONE.
13. OWNER OR DESIGNATED PERSON SHALL BE RESPONSIBLE FOR PROPER INSTALLATION AND MAINTENANCE OF ALL EROSION AND SEDIMENT CONTROL MEASURES, IN ACCORDANCE WITH CURRENT CLEAN WATER SERVICES STANDARDS AND STATE, AND FEDERAL REGULATIONS.
14. PRIOR TO ANY LAND DISTURBING ACTIVITIES, THE BOUNDARIES OF THE CLEARING LIMITS, VEGETATED BUFFERS, AND ANY SENSITIVE AREAS SHOWN ON THIS PLAN SHALL BE CLEARLY DELINEATED IN THE FIELD. UNLESS OTHERWISE APPROVED, NO DISTURBANCE IS PERMITTED BEYOND THE CLEARING LIMITS. THE OWNER/PERMITTEE MUST MAINTAIN THE DELINEATION FOR THE DURATION OF THE PROJECT. NOTE: VEGETATED CORRIDORS TO BE DELINEATED WITH ORANGE CONSTRUCTION FENCE OR APPROVED EQUAL.
15. PRIOR TO ANY LAND DISTURBING ACTIVITIES, THE BMPs THAT MUST BE INSTALLED ARE GRAVEL CONSTRUCTION ENTRANCE, PERIMETER SEDIMENT CONTROL, AND INLET PROTECTION. THESE BMPs MUST BE MAINTAINED FOR THE DURATION OF THE PROJECT.
16. IF VEGETATIVE SEED MIXES ARE SPECIFIED, SEEDING MUST TAKE PLACE NO LATER THAN SEPTEMBER 1ST; THE TYPE AND PERCENTAGES OF SEED IN THE MIX ARE AS IDENTIFIED ON THE PLANS OR AS SPECIFIED BY THE DESIGN ENGINEER.
17. WATERTIGHT TRUCKS MUST BE USED TO TRANSPORT SATURATED SOILS FROM THE CONSTRUCTION SITE. AN APPROVED EQUIVALENT IS TO DRAIN THE SOIL ON SITE AT A DESIGNATED LOCATION USING APPROPRIATE BMPs; SOIL MUST BE DRAINED SUFFICIENTLY FOR MINIMAL SPILLAGE.
18. ALL PUMPING OF SEDIMENT LADEN WATER MUST BE DISCHARGED OVER AN UNDISTURBED, PREFERABLY VEGETATED AREA, AND THROUGH A SEDIMENT CONTROL BMP (I.E. FILTER BAG).
19. THE ESC PLAN MUST BE KEPT ONSITE. ALL MEASURES SHOWN ON THE PLAN MUST BE INSTALLED PROPERLY TO ENSURE THAT SEDIMENT LADEN WATER DOES NOT ENTER A SURFACE WATER SYSTEM, ROADWAY, OR OTHER PROPERTIES.
20. THE ESC MEASURES SHOWN ON THIS PLAN ARE THE MINIMUM REQUIREMENTS FOR ANTICIPATED SITE CONDITIONS. DURING THE CONSTRUCTION PERIOD, THESE MEASURES SHALL BE UPGRADED AS NEEDED TO MAINTAIN COMPLIANCE WITH ALL REGULATIONS.
21. WRITTEN ESC LOGS ARE SUGGESTED TO BE MAINTAINED ONSITE AND AVAILABLE TO DISTRICT INSPECTORS UPON REQUEST.
22. IN AREAS SUBJECT TO WIND EROSION, APPROPRIATE BMPs MUST BE USED, WHICH MAY INCLUDE THE APPLICATION OF FINE WATER SPRAYING, PLASTIC SHEETING, MULCHING, OR OTHER APPROVED MEASURES.
23. ALL EXPOSED SOILS MUST BE COVERED, AT END OF BUSINESS DAY, DURING WET WEATHER PERIOD, FROM OCTOBER 1 - MAY 31.

STANDARD EROSION CONTROL
NOTES FOR SITES LESS THAN 1
ACRE

DRAWING NO. 945

REVISED 10-31-19





NOTES:

1. THE SEDIMENT BAG SHALL BE MANUFACTURED USING A POLYPROPYLENE 8 OZ. NON-WOVEN GEOTEXTILE SEWN INTO A BAG WITH A DOUBLE NEEDLE, USING A HIGH STRENGTH THREAD.
2. EACH STANDARD SEDIMENT BAG MUST HAVE A FILL SPOUT LARGE ENOUGH TO ACCOMMODATE A 4" DISCHARGE HOSE. STRAPS ARE ATTACHED TO SECURE THE HOSE AND PREVENT PUMPED WATER FROM ESCAPING WITHOUT BEING FILTERED.
3. THE SEDIMENT BAG SHALL MEET OR EXCEED OVERALL BAG REMOVAL EFFICIENCY RATE OF 97.55%.
4. WATER BEING DISCHARGED FROM THE SEDIMENT BAG MUST BE FREE OF ALL SEDIMENT PRIOR TO LEAVING THE SITE OR ENTERING INTO THE STORM SYSTEM.
5. SEDIMENT BAG IS FULL WHEN IT NO LONGER CAN EFFICIENTLY FILTER SEDIMENT OR ALLOW WATER TO PASS AT A RATE LESS THAN 50% OF MANUFACTURER'S DESIGNED FLOW RATE.
6. DURING USE, THE SEDIMENT BAG MUST BE MONITORED.
7. DISPOSE OF USED SEDIMENT BAG OFF SITE OR AS APPROVED BY CWS.
8. WHEN APPROPRIATE, INSTALL DOWNSTREAM SEDIMENT CONTROL MEASURES PER CWS STANDARDS.
9. FOR BEST RESULTS, PLACE SEDIMENT BAG ON FLAT SURFACE.
10. SEDIMENT BAG SHOULD BE PLACED ON EXISTING VEGETATION, ROCK, OR BED OF STRAW. SEDIMENT BAG SHOULD NOT BE PLACED ON BARE GROUND.

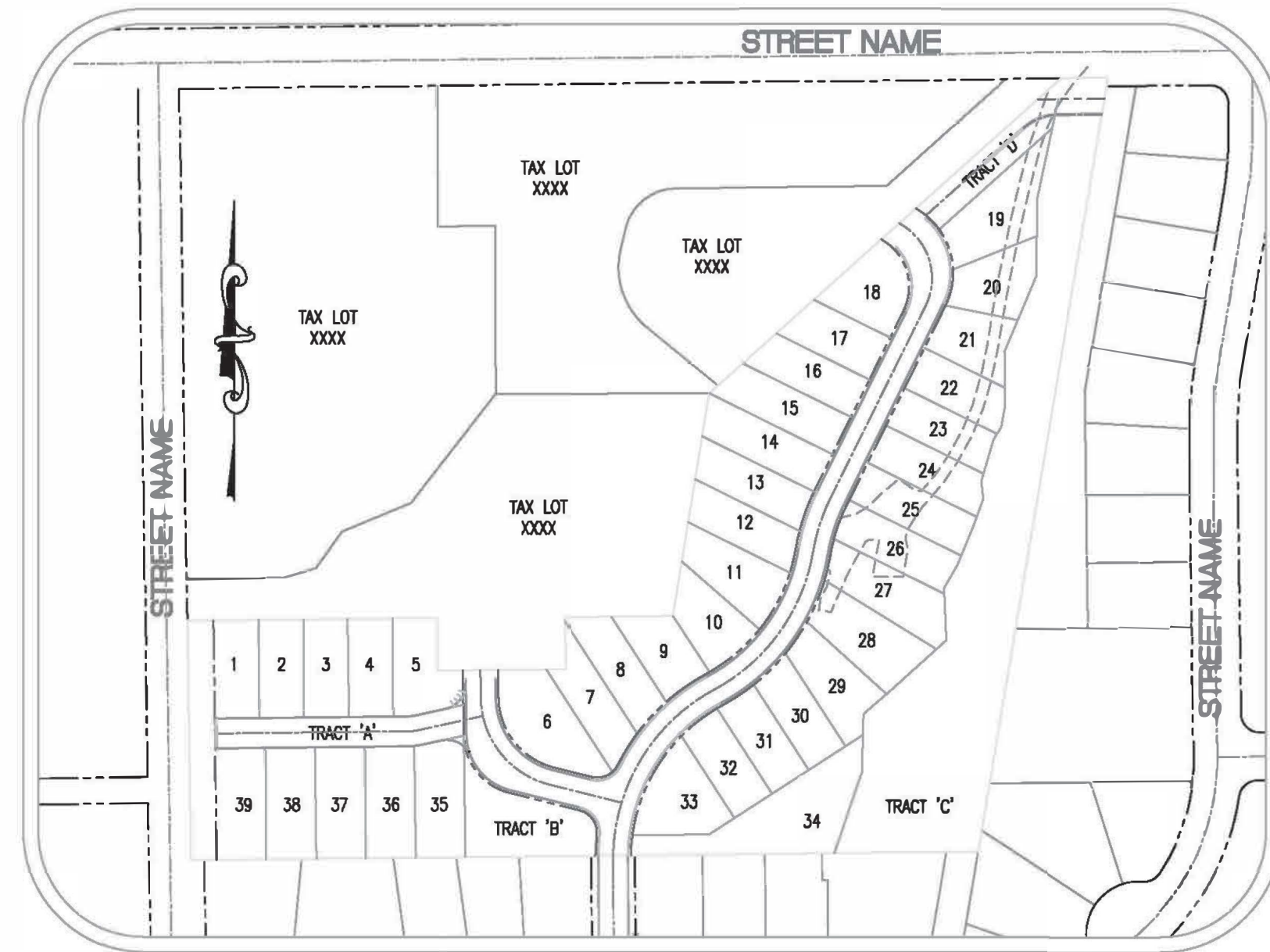
SEDIMENT BAG



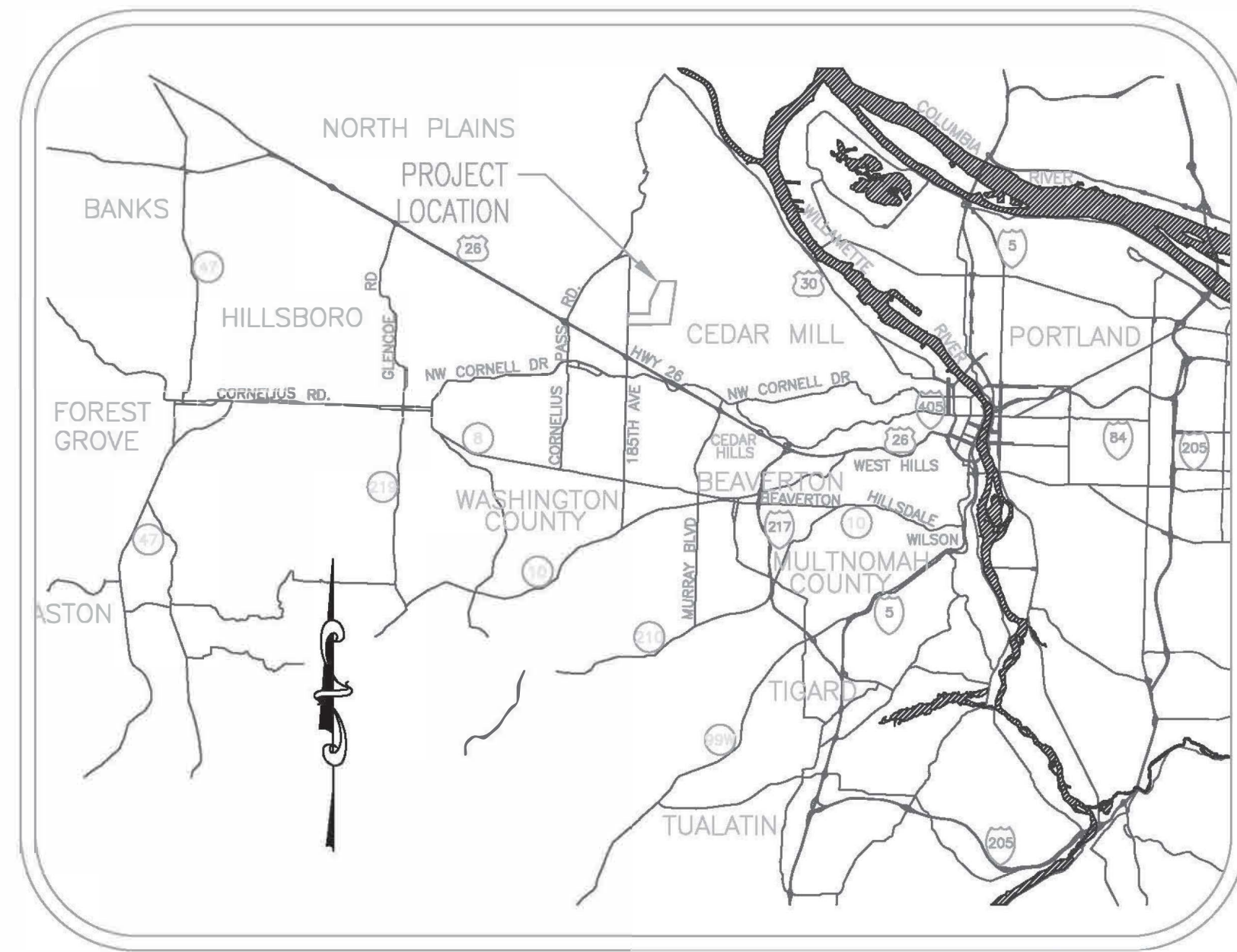
Erosion Control Plan Template

Question 87

ESC PLAN FOR SITES 1 TO 5 ACRES



SITE MAP NOT TO SCALE



VICINITY MAP NOT TO SCALE

DEVELOPER

DEVELOPER/COMPANY: _____
 CONTACT: _____
 ADDRESS 1 _____
 ADDRESS 2 _____
 PHONE: 503-_____
 FAX: 503-_____

PLANNING / ENGINEERING / SURVEYING FIRM

ENGINEERING & SURVEY FIRM
 CONTACT: _____
 ADDRESS 1 _____
 ADDRESS 2 _____
 PHONE: 503-_____
 FAX: 503-_____

NARRATIVE DESCRIPTIONS

EXISTING SITE CONDITIONS

* 3 HOMES, 3 OUT BUILDINGS, FORESTED AREAS, PASTURE AREAS, AND DRIVEWAYS

DEVELOPED CONDITIONS

* 39 LOT RESIDENTIAL SUBDIVISION WITH PUBLIC STREETS AND UTILITIES

NATURE OF CONSTRUCTION ACTIVITY AND ESTIMATED TIME TABLE

- * CLEARING (DATES, FROM & TO: _____)
- * MASS GRADING (DATES, FROM & TO: _____)
- * UTILITY INSTALLATION (DATES, FROM & TO: _____)
- * STREET CONSTRUCTION (DATES, FROM & TO: _____)
- * FINAL STABILIZATION (DATES, FROM & TO: _____)

TOTAL SITE AREA = 217,800 SF = 5.00 ACRES

TOTAL DISTURBED AREA = 174,240 SF = 4.00 ACRES

SITE SOIL CLASSIFICATION:

- 11B - CORNELIUS AND KINTON SILT LOAMS, 2 TO 7 PERCENT SLOPES
- 11D - CORNELIUS AND KINTON SILT LOAMS, 12 TO 20 PERCENT SLOPES
- 11E - CORNELIUS AND KINTON SILT LOAMS, 20 TO 30 PERCENT SLOPES
- 11F - CORNELIUS AND KINTON SILT LOAMS, 30 TO 60 PERCENT SLOPES
- 16C - DELENA SILT LOAM, 3 TO 12 PERCENT SLOPES

ON-SITE SOILS HAVE A MODERATE TO HIGH EROSION POTENTIAL. ALL FILL MATERIAL SHALL BE GENERATED ON-SITE FROM GRADING EXCAVATION AND UTILITY TRENCH SPOILS.

RECEIVING WATER BODIES:

NEAREST WATER BODY: JOHNSON CREEK

INSPECTION FREQUENCY:

SITE CONDITION	MINIMUM FREQUENCY
1. ACTIVE PERIOD	WEEKLY WHEN STORMWATER RUNOFF, INCLUDING RUNOFF FROM SNOW MELT, IS OCCURRING. AT LEAST ONCE EVERY MONTH, REGARDLESS OF WHETHER STORMWATER RUNOFF IS OCCURRING.
2. PRIOR TO THE SITE BECOMING INACTIVE OR IN ANTICIPATION OF SITE INACCESSIBILITY.	ONCE TO ENSURE THAT EROSION AND SEDIMENT CONTROL MEASURES ARE IN WORKING ORDER. ANY NECESSARY MAINTENANCE AND REPAIR MUST BE MADE PRIOR TO LEAVING THE SITE.
3. INACTIVE PERIODS GREATER THAN FOURTEEN (14) CONSECUTIVE CALENDAR DAYS.	ONCE EVERY MONTH.
4. PERIODS DURING WHICH THE SITE IS INACCESSIBLE DUE TO INCLEMENT WEATHER.	IF PRACTICAL, INSPECTIONS MUST OCCUR DAILY AT A RELEVANT AND ACCESSIBLE DISCHARGE POINT OR DOWNSTREAM LOCATION.
5. PERIODS DURING WHICH DISCHARGE IS UNLIKELY DUE TO FROZEN CONDITIONS.	MONTHLY. RESUME MONITORING IMMEDIATELY UPON MELT, OR WHEN WEATHER CONDITIONS MAKE DISCHARGES LIKELY.

- * HOLD A PRE-CONSTRUCTION MEETING OF PROJECT CONSTRUCTION PERSONNEL THAT INCLUDES THE INSPECTOR TO DISCUSS EROSION AND SEDIMENT CONTROL MEASURES AND CONSTRUCTION LIMITS.
- * ALL INSPECTIONS MUST BE MADE IN ACCORDANCE WITH DEQ 1200-CN PERMIT REQUIREMENTS.
- * INSPECTION LOGS MUST BE KEPT IN ACCORDANCE WITH DEQ'S 1200-CN PERMIT REQUIREMENTS.
- * RETAIN A COPY OF THE ESCP AND ALL REVISIONS ON SITE AND MAKE IT AVAILABLE ON REQUEST TO DEQ, AGENT, OR THE LOCAL MUNICIPALITY. DURING INACTIVE PERIODS OF GREATER THAN SEVEN (7) CONSECUTIVE CALENDAR DAYS, RETAIN THE ESCP AT THE CONSTRUCTION SITE OR AT ANOTHER LOCATION.

STANDARD EROSION AND SEDIMENT CONTROL PLAN DRAWING NOTES:

1. All permit registrants must implement the ESCP. Failure to implement any of the control measures or practices described in the ESCP is a violation of the permit.
2. The ESCP measures shown on this plan are minimum requirements for anticipated site conditions. During the construction period, upgrade these measures as needed to comply with all applicable local, state, and federal erosion and sediment control regulations.
3. Submission of all ESCP revisions is not required. Submittal of the ESCP revisions is only under specific conditions. Submit all necessary revision to DEQ or Agent.
4. Phase clearing and grading to the maximum extent practical to prevent exposed inactive areas from becoming a source of erosion.
5. Identify, mark, and protect (by fencing off or other means) critical riparian areas and vegetation including important trees and associated rooting zones, and vegetation areas to be preserved. Identify vegetative buffer zones between the site and sensitive areas (e.g., wetlands), and other areas to be preserved, especially in perimeter areas.
6. Preserve existing vegetation when practical and re-vegetate open areas. Re-vegetate open areas when practicable before and after grading or construction. Identify the type of vegetative seed mix used.
7. Erosion and sediment control measures including perimeter sediment control must be in place before vegetation is disturbed and must remain in place and be maintained, repaired, and promptly implemented following procedures established for the duration of construction, including protection for active storm drain inlets and catch basins and appropriate non-stormwater pollution controls.
8. Establish concrete truck and other concrete equipment washout areas before beginning concrete work. Direct all wash water into a pit or leak-proof container. Handle wash water as waste, concrete discharge to waters of the state is prohibited.
9. Apply temporary and/or permanent soil stabilization measures immediately on all disturbed areas as grading progresses and for all roadways including gravel roadways.
10. Establish material and waste storage areas, and other non-stormwater controls.
11. Prevent tracking of sediment onto public or private roads using BMPs such as: gravelled (or paved) exits and parking areas, gravel all unpaved roads located onsite, or use an exit tire wash. These BMPs must be in place prior to land-disturbing activities.
12. When trucking saturated soils from the site, either use water-tight trucks or drain loads on site.
13. Use BMPs to prevent or minimize stormwater exposure to pollutants from spills; vehicle and equipment fueling, maintenance, and storage; other cleaning and maintenance activities; and waste handling activities. These pollutants include fuel, hydraulic fluid, and other oils from vehicles and machinery, as well as debris, leftover paints, solvents, and glues from construction operations.
14. Implement the following BMPs when applicable: written spill prevention and response procedures, employee training on spill prevention and proper disposal procedures, spill kits in all vehicles, regular maintenance schedule for vehicles and machinery, material delivery and storage controls, training and signage, and covered storage areas for waste and supplies.
15. Use water, soil-binding agent or other dust control technique as needed to avoid wind-blown soil.
16. The application rate of fertilizers used to reestablish vegetation must follow manufacturer's recommendations to minimize nutrient releases to surface waters. Exercise caution when using time-release fertilizers within any waterway riparian zone.
17. If a stormwater treatment system (for example, electro-coagulation, flocculation, filtration, etc.) for sediment or other pollutant removal is employed, submit an operation and maintenance plan (including system schematic, location of system, location of inlet, location of discharge, discharge dispersion device design, and a sampling plan and frequency) before operating the treatment system. Obtain plan approval before operating the treatment system. Operate and maintain the treatment system according to manufacturer's specifications.
18. At the end of each workday soil stockpiles must be stabilized or covered, or other BMPs must be implemented to prevent discharges to surface waters or conveyance systems leading to surface waters.
19. Construction activities must avoid or minimize excavation and creation of bare ground during wet weather October 01 - May 31.
20. Sediment fence: remove trapped sediment before it reaches one third of the above ground fence height and before fence removal.
21. Other sediment barriers (such as biobags): remove sediment before it reaches two inches depth above ground height and before BMP removal.
22. Catch basins: clean before retention capacity has been reduced by fifty percent. Sediment basins and sediment traps: remove trapped sediments before design capacity has been reduced by fifty percent and at completion of project.
23. Within 24 hours, significant sediment that has left the construction site, must be remediated. Investigate the cause of the sediment release and implement steps to prevent a recurrence of the discharge within the same 24 hours. Any in-stream clean up of sediment shall be performed according to the Oregon Division of State Lands required timeframe.
24. The intentional washing of sediment into storm sewers or drainage ways must not occur. Vacuuming or dry sweeping and material pickup must be used to cleanup released sediments.
25. Provide permanent erosion control measures on all exposed areas. Do not remove temporary sediment control practices until permanent vegetation or other cover of exposed areas is established. However, do remove all temporary erosion control measures as exposed areas become stabilized, unless doing so conflicts with local requirements. Properly dispose of construction materials and waste, including sediment retained by temporary BMPs.
26. If vegetative seed mixes are specified, seeding must take place no later than September 1; the type and percentages of seed in the mix must be identified on the plans.
27. All pumping of sediment laden water shall be discharged over an undisturbed, preferably vegetated area, and through a sediment control BMP i.e. (filter bag).
28. All exposed soils must be covered during the wet weather period, October 01 - May 31.
29. If water of the state is within the project site or within 50 feet of the project boundary, maintain the existing natural buffer within the 50-foot zone for the duration of the permit coverage, or maintain less than the entire existing natural buffer and provide additional erosion and sediment control BMPs.

THE PERMITTEE IS REQUIRED TO MEET ALL THE CONDITIONS OF THE 1200-CN PERMIT. THIS ESCP AND GENERAL CONDITIONS HAVE BEEN DEVELOPED TO FACILITATE COMPLIANCE WITH THE 1200-CN PERMIT REQUIREMENTS. IN CASES OF DISCREPANCIES OR OMISSIONS, THE 1200-CN PERMIT REQUIREMENTS SUPERCEDE REQUIREMENTS OF THIS PLAN.

BMP MATRIX FOR CONSTRUCTION PHASES

REFER TO DEQ GUIDANCE MANUAL FOR A COMPREHENSIVE LIST OF AVAILABLE BMP'S.

	CLEARING	MASS GRADING	UTILITY INSTALLATION	STREET CONSTRUCTION	FINAL STABILIZATION	WET WEATHER (OCT. 1 - MAY 31ST)
EROSION PREVENTION						
PRESERVE NATURAL VEGETATION	** X	X	X	X	X	X
GROUND COVER					X	X
HYDRAULIC APPLICATIONS					X	X
PLASTIC SHEETING					X	X
MATTING					X	X
DUST CONTROL	X	X	X	X	X	X
TEMPORARY PERMANENT SEEDING	X	X	X	X	X	X
BUFFER ZONE	** X	X	X	X	X	X
OTHER:						
SEDIMENT CONTROL						
SEDIMENT FENCE (PERIMETER)	** X	X	X	X	X	X
SEDIMENT FENCE (INTERIOR)				X	X	X
STRAW MATS			X	X	X	X
FILTER BERM	X	X	X	X	X	X
INLET PROTECTION	** X	X	X	X	X	X
DEWATERING	X	X	X	X	X	X
SEDIMENT TRAP	X	X	X	X	X	X
NATURAL BUFFER ENCRICHMENT	** X	** X	** X	** X	** X	** X
OTHER:						
RUN OFF CONTROL						
CONSTRUCTION ENTRANCE	** X	X	X	X	X	X
PIPE & GORE DRAIN	X	X	X	X	X	X
OUTLET PROTECTION	X	X	X	X	X	X
SURFACE ROADSIDEWALK	X	X	X	X	X	X
CHECK DAMS	** X	X	X	X	X	X
OTHER:						
POLLUTION PREVENTION						
PROPER SIGNAGE	X	X	X	X	X	X
HAZ WASTE MGMT	X	X	X	X	X	X
SPILL KIT ON SITE	X	X	X	X	X	X
CONCRETE WASHOUT AREA	X	X	X	X	X	X
OTHER:						

* SIGNIFIES ADDITIONAL BMP'S REQUIRED FOR WORK WITHIN 50' OF WATER OF THE STATE.
 ** SIGNIFIES BMP THAT WILL BE INSTALLED PRIOR TO ANY GROUND DISTURBING ACTIVITY.

RATIONALE STATEMENT

A COMPREHENSIVE LIST OF AVAILABLE BEST MANAGEMENT PRACTICES (BMP) OPTIONS BASED ON DEQ'S GUIDANCE MANUAL HAS BEEN REVIEWED TO COMPLETE THIS EROSION AND SEDIMENT CONTROL PLAN. SOME OF THE ABOVE LISTED BMP'S WERE NOT CHOSEN BECAUSE THEY WERE DETERMINED TO NOT EFFECTIVELY MANAGE EROSION PREVENTION AND SEDIMENT CONTROL FOR THIS PROJECT BASED ON SPECIFIC SITE CONDITIONS, INCLUDING SOIL CONDITIONS TOPOGRAPHIC CONSTRAINTS, ACCESSIBILITY TO THE SITE, AND OTHER RELATED CONDITIONS, AS THE PROJECT PROGRESSES AND THERE IS A NEED TO REVISE THE ESC PLAN, AN ACTION PLAN WILL BE SUBMITTED.

PERMITTEE'S SITE INSPECTOR: JOE INS PEJOR
 COMPANY/AGENCY: _____
 PHONE: _____
 FAX: _____
 E-MAIL: _____

DESCRIPTION OF EXPERIENCE: 10 YEARS OF EXPERIENCE IN THE CONSTRUCTION INDUSTRY, OF WHICH 5 YEARS WERE SPENT INSTALLING AND MAINTAINING EROSION CONTROL MEASURES. ATTENDED AN 8 HOUR TRAINING COURSE ON THE PRINCIPLES AND PRACTICES OF EROSION CONTROL AT THE UNIVERSITY OF WASHINGTON. ATTENDED IECA CONFERENCE IN 2008 AND 2013.

SHEET INDEX

EROSION AND SEDIMENT CONTROL PLANS

- C050 EROSION AND SEDIMENT CONTROL COVER SHEET
- C051 CLEARING AND DEMOLITION EROSION AND SEDIMENT CONTROL PLAN
- C052 GRADING, STREET AND UTILITY CONSTRUCTION EROSION AND SEDIMENT CONTROL PLAN
- C053 EROSION AND SEDIMENT CONTROL DETAILS
- C054 EROSION AND SEDIMENT CONTROL DETAILS

REVISIONS:

1/23/07	Revised Inspection Frequency, and Notes
12/01/10	Updated for 1200-C issued after 01Dec10
06/02/11	Note revisions
12/15/15	Updated for 1200-CN issued after 15Dec15

EROSION AND SEDIMENT CONTROL COVER SHEET

ENGINEERING FIRM

DESIGNED BY: XXXX DRAWING NO.: XXXX
 DRAWN BY: XXXX SCALE: XXXX
 CHECKED BY: XXXX
 PREPARED FOR: CLEAN WATER SERVICES
 2550 SW HILLSBORO HIGHWAY
 HILLSBORO, OR 97123
 PHONE: 503-681-3600
 FAX: 503-681-3603

WASHINGTON COUNTY OREGON
 TAX LOTS _____
 WASHINGTON COUNTY TAX MAP _____

DATE: _____
 JOB NUMBER: XXXX
 SHEET: XXXX

LEGEND

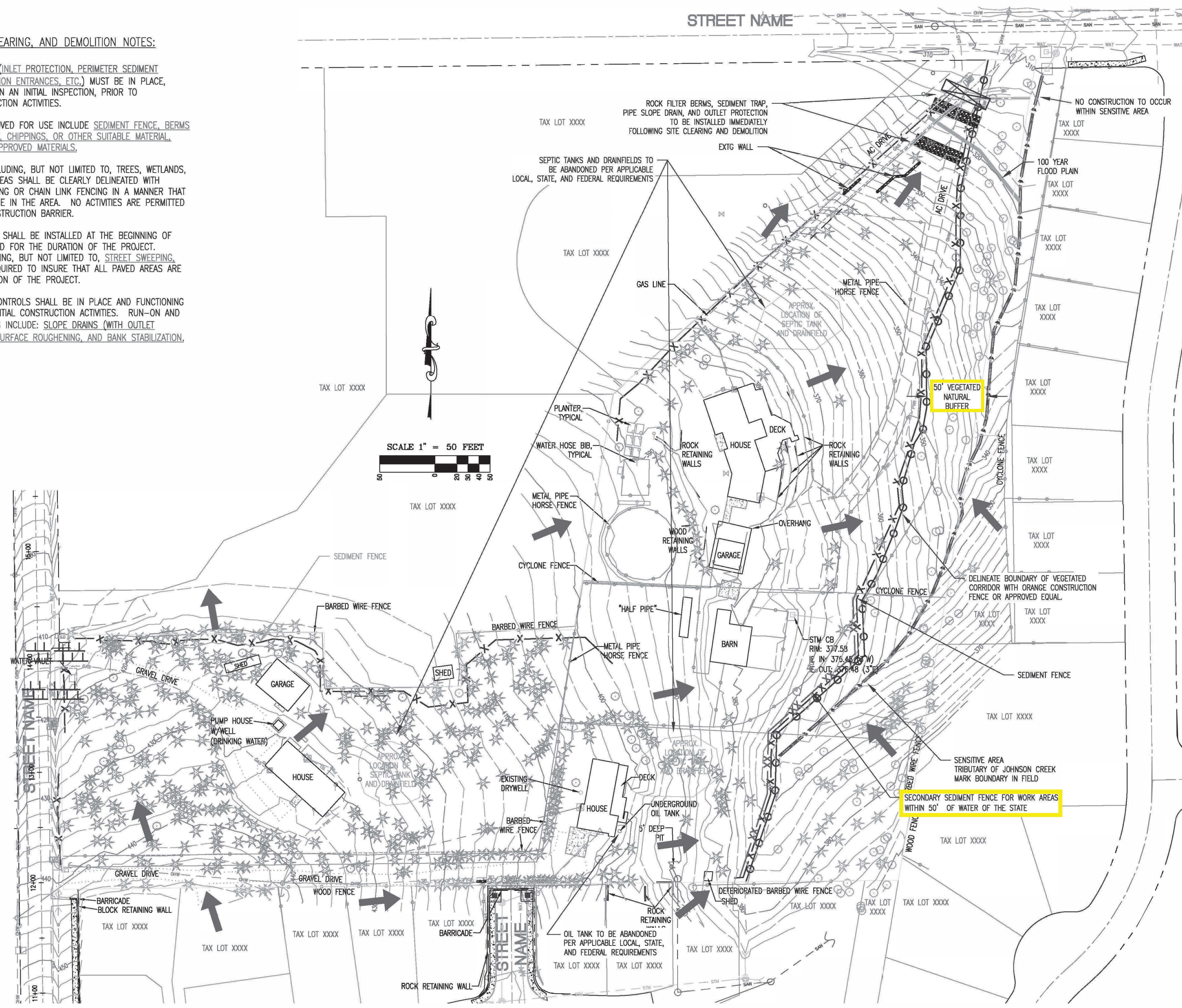
- EXISTING GROUND CONTOUR (2 FT)
- EXISTING GROUND CONTOUR (10 FT)
- EXISTING TREE TO REMAIN
- EXISTING TREE TO BE REMOVED
- SEDIMENT BARRIER (PERIMETER)
- SEDIMENT BARRIER (INTERIOR)
- ORANGE CONSTRUCTION FENCE
- SEDIMENT TRAP
- BRUSH BARRIER
- CHECK DAM
- CONSTRUCTION ENTRANCE
- DIVERSION DIKE
- DIVERSION SWALE
- DIVERSION DIKE/SWALE
- INLET PROTECTION
- SEDIMENT MAT
- TEMPORARY SLOPE DRAIN
- ROCK FILTER BERM
- TEMPORARY SLOPE STABILIZATION MEASURES
- DRAINAGE FLOW DIRECTION

PRE-CONSTRUCTION, CLEARING, AND DEMOLITION NOTES:

1. ALL BASE ESC MEASURES (INLET PROTECTION, PERIMETER SEDIMENT CONTROL, GRAVEL CONSTRUCTION ENTRANCES, ETC.) MUST BE IN PLACE, FUNCTIONAL, AND APPROVED IN AN INITIAL INSPECTION, PRIOR TO COMMENCEMENT OF CONSTRUCTION ACTIVITIES.
2. SEDIMENT BARRIERS APPROVED FOR USE INCLUDE SEDIMENT FENCE, BERMS CONSTRUCTED OUT OF MULCH, CHIPPINGS, OR OTHER SUITABLE MATERIAL, STRAW WATTLES, OR OTHER APPROVED MATERIALS.
3. SENSITIVE RESOURCES INCLUDING, BUT NOT LIMITED TO, TREES, WETLANDS, AND RIPARIAN PROTECTION AREAS SHALL BE CLEARLY DELINEATED WITH ORANGE CONSTRUCTION FENCING OR CHAIN LINK FENCING IN A MANNER THAT IS CLEARLY VISIBLE TO ANYONE IN THE AREA. NO ACTIVITIES ARE PERMITTED TO OCCUR BEYOND THE CONSTRUCTION BARRIER.
4. CONSTRUCTION ENTRANCES SHALL BE INSTALLED AT THE BEGINNING OF CONSTRUCTION AND MAINTAINED FOR THE DURATION OF THE PROJECT. ADDITIONAL MEASURES INCLUDING, BUT NOT LIMITED TO, STREET SWEEPING, AND VACUUMING, MAY BE REQUIRED TO INSURE THAT ALL PAVED AREAS ARE KEPT CLEAN FOR THE DURATION OF THE PROJECT.
5. RUN-ON AND RUN-OFF CONTROLS SHALL BE IN PLACE AND FUNCTIONING PRIOR TO BEGINNING SUBSTANTIAL CONSTRUCTION ACTIVITIES. RUN-ON AND RUN-OFF CONTROL MEASURES INCLUDE: SLOPE DRAINS (WITH OUTLET PROTECTION), CHECK DAMS, SURFACE ROUGHENING, AND BANK STABILIZATION.

THESE EROSION AND SEDIMENT CONTROL PLANS ASSUME "DRY WEATHER" CONSTRUCTION. "WET WEATHER" CONSTRUCTION MEASURES NEED TO BE APPLIED BETWEEN OCTOBER 1ST AND MAY 31ST.

* NOTE: PRE-DEVELOPED RUN-OFF SHEET FLOWS EASTERLY INTO ON-SITE DRAINAGE AND NORTHERLY ONTO ADJACENT PROPERTIES.



REVISIONS:

**CLEARING, DEMOLITION,
MASS GRADING, EROSION AND
SEDIMENT CONTROL PLAN**

ENGINEERING FIRM

DESIGNED BY: _____ DRAWING NO: _____
 DRAWN BY: _____ SCALE: _____
 CHECKED BY: _____
 PREPARED FOR: _____

PROJECT NAME

WASHINGTON COUNTY
TAX LOTS

OREGON
WASHINGTON COUNTY TAX MAP



JOB NUMBER
XXXX

SHEET
XXXX

LEGEND

- FINISHED GRADE CONTOUR (2 FT)
- FINISHED GRADE CONTOUR (10 FT)
- SEDIMENT BARRIER (PERIMETER)
- SEDIMENT BARRIER (INTERIOR)
- ORANGE CONSTRUCTION FENCE
- BRUSH BARRIER
- CHECK DAM
- CONSTRUCTION ENTRANCE
- DIVERSION DIKE
- DIVERSION SWALE
- DIVERSION DIKE/SWALE
- INLET PROTECTION
- SEDIMENT MAT
- TEMPORARY SLOPE DRAIN
- COMPOST BLANKET
- SEEDING & MULCHING
- CONCRETE WASH AREA
- OUTLET PROTECTION
- ROCK FILTER BERM
- TEMPORARY SLOPE STABILIZATION MEASURES
- LONG TERM SLOPE STABILIZATION MEASURES
- NEW IMPERVIOUS SURFACE
- DRAINAGE FLOW DIRECTION

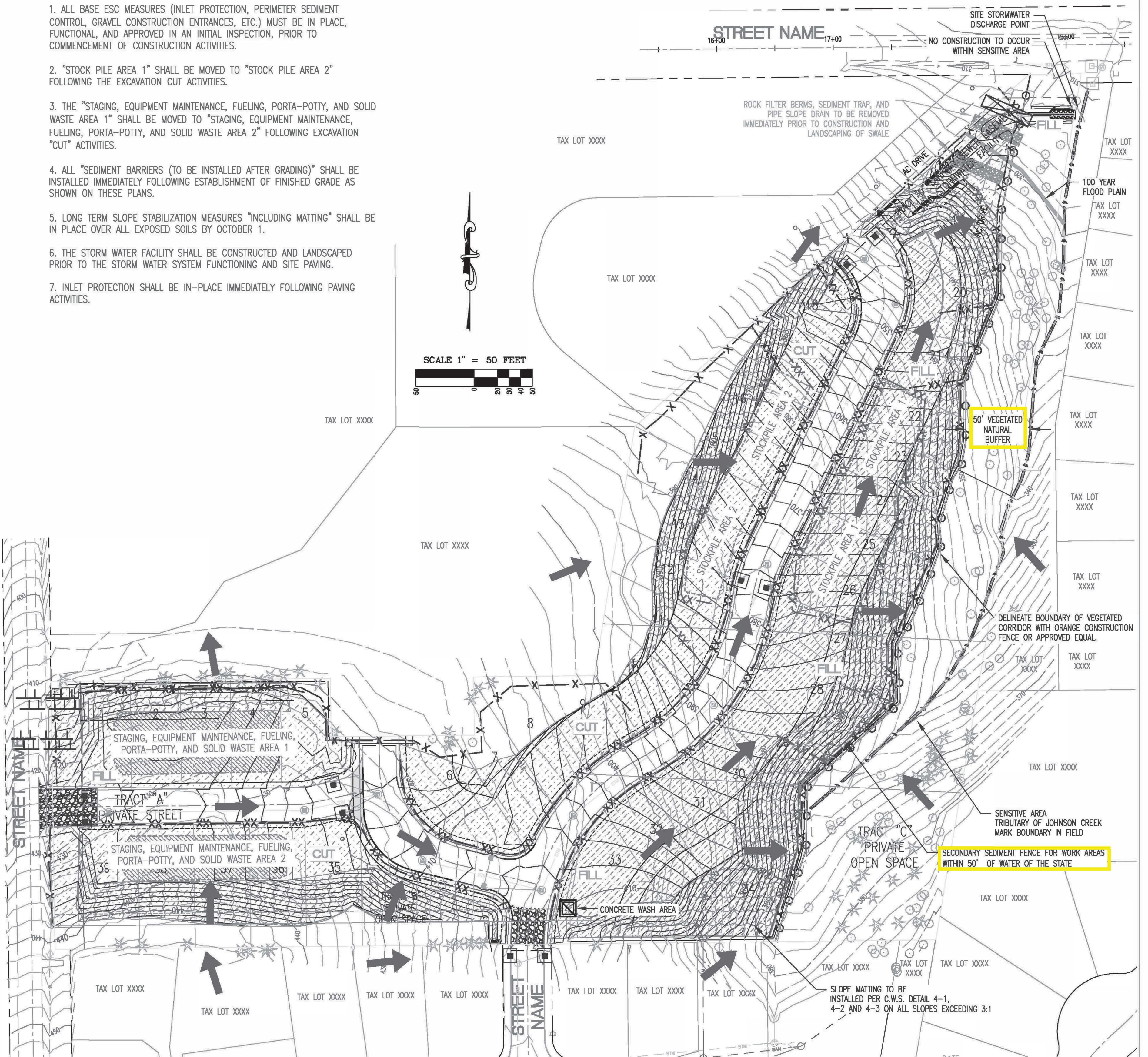
GRADING, STREET AND UTILITY EROSION AND SEDIMENT CONSTRUCTION NOTES:

1. SEED USED FOR TEMPORARY OR PERMANENT SEEDING SHALL BE COMPOSED OF ONE OF THE FOLLOWING MIXTURES, UNLESS OTHERWISE AUTHORIZED:
 - A. VEGETATED CORRIDOR AREAS REQUIRE NATIVE SEED MIXES. SEE RESTORATION PLAN FOR APPROPRIATE SEED MIX.
 - B. DWARF GRASS MIX (MIN. 100 LB./AC.)
 1. DWARF PERENNIAL RYEGRASS (80% BY WEIGHT)
 2. CREEPING RED FESCUE (20% BY WEIGHT)
 - C. STANDARD HEIGHT GRASS MIX (MIN. 100LB./AC.)
 1. ANNUAL RYEGRASS (40% BY WEIGHT)
 2. TURF-TYPE FESCUE (60% BY WEIGHT)
2. SLOPE TO RECEIVE TEMPORARY OR PERMANENT SEEDING SHALL HAVE THE SURFACE ROUGHENED BY MEANS OF TRACK-WALKING OR THE USE OF OTHER APPROVED IMPLEMENTS. SURFACE ROUGHENING IMPROVES SEED BEDDING AND REDUCES RUN-OFF VELOCITY.
3. LONG TERM SLOPE STABILIZATION MEASURES SHALL INCLUDE THE ESTABLISHMENT OF PERMANENT VEGETATIVE COVER VIA SEEDING WITH APPROVED MIX AND APPLICATION RATE.
4. TEMPORARY SLOPE STABILIZATION MEASURES SHALL INCLUDE: COVERING EXPOSED SOIL WITH PLASTIC SHEETING, STRAW MULCHING, WOOD CHIPS, OR OTHER APPROVED MEASURES.
5. STOCKPILED SOIL OR STRIPPINGS SHALL BE PLACED IN A STABLE LOCATION AND CONFIGURATION. DURING "WET WEATHER" PERIODS, STOCKPILES SHALL BE COVERED WITH PLASTIC SHEETING OR STRAW MULCH. SEDIMENT FENCE IS REQUIRED AROUND THE PERIMETER OF THE STOCKPILE.
6. EXPOSED CUT OR FILL AREAS SHALL BE STABILIZED THROUGH THE USE OF TEMPORARY SEEDING AND MULCHING, EROSION CONTROL BLANKETS OR MATS, MID-SLOPE SEDIMENT FENCES OR WATTLES, OR OTHER APPROPRIATE MEASURES. SLOPES EXCEEDING 25% MAY REQUIRE ADDITIONAL EROSION CONTROL MEASURES.
7. AREAS SUBJECT TO WIND EROSION SHALL USE APPROPRIATE DUST CONTROL MEASURES INCLUDING THE APPLICATION OF A FINE SPRAY OF WATER, PLASTIC SHEETING, STRAW MULCHING, OR OTHER APPROVED MEASURES.
8. CONSTRUCTION ENTRANCES SHALL BE INSTALLED AT THE BEGINNING OF CONSTRUCTION AND MAINTAINED FOR THE DURATION OF THE PROJECT. ADDITIONAL MEASURES INCLUDING, BUT NOT LIMITED TO, TIRE WASHES, STREET SWEEPING, AND VACUUMING MAY BE REQUIRED TO INSURE THAT ALL PAVED AREAS ARE KEPT CLEAN FOR THE DURATION OF THE PROJECT.
9. ACTIVE INLETS TO STORM WATER SYSTEMS SHALL BE PROTECTED THROUGH THE USE OF APPROVED INLET PROTECTION MEASURES. ALL INLET PROTECTION MEASURES ARE TO BE REGULARLY INSPECTED AND MAINTAINED AS NEEDED.
10. SATURATED MATERIALS THAT ARE HAULED OFF-SITE MUST BE TRANSPORTED IN WATER-TIGHT TRUCKS TO ELIMINATE SPILLAGE OF SEDIMENT AND SEDIMENT-LADEN WATER.
11. AN AREA SHALL BE PROVIDED FOR THE WASHING OUT OF CONCRETE TRUCKS IN A LOCATION THAT DOES NOT PROVIDE RUN-OFF THAT CAN ENTER THE STORM WATER SYSTEM. IF THE CONCRETE WASH-OUT AREA CAN NOT BE CONSTRUCTED GREATER THAN 50' FROM ANY DISCHARGE POINT, SECONDARY MEASURES SUCH AS BERMS OR TEMPORARY SETTLING PITS MAY BE REQUIRED. THE WASH-OUT SHALL BE LOCATED WITHIN SIX FEET OF TRUCK ACCESS AND BE CLEANED WHEN IT REACHES 50% OF THE CAPACITY.
12. SWEEPINGS FROM EXPOSED AGGREGATE CONCRETE SHALL NOT BE TRANSFERRED TO THE STORM WATER SYSTEM. SWEEPINGS SHALL BE PICKED UP AND DISPOSED IN THE TRASH.
13. AVOID PAVING IN WET WEATHER WHEN PAVING CHEMICALS CAN RUN-OFF INTO THE STORM WATER SYSTEM.
14. USE BMPs SUCH AS CHECK-DAMS, BERMS, AND INLET PROTECTION TO PREVENT RUN-OFF FROM REACHING DISCHARGE POINTS.
15. COVER CATCH BASINS, MANHOLES, AND OTHER DISCHARGE POINTS WHEN APPLYING SEAL COAT, TACK COAT, ETC. TO PREVENT INTRODUCING THESE MATERIALS TO THE STORM WATER SYSTEM.

EROSION AND SEDIMENT CONTROL BMP IMPLEMENTATION:

1. ALL BASE ESC MEASURES (INLET PROTECTION, PERIMETER SEDIMENT CONTROL, GRAVEL CONSTRUCTION ENTRANCES, ETC.) MUST BE IN PLACE, FUNCTIONAL, AND APPROVED IN AN INITIAL INSPECTION, PRIOR TO COMMENCEMENT OF CONSTRUCTION ACTIVITIES.
2. "STOCK PILE AREA 1" SHALL BE MOVED TO "STOCK PILE AREA 2" FOLLOWING THE EXCAVATION CUT ACTIVITIES.
3. THE "STAGING, EQUIPMENT MAINTENANCE, FUELING, PORTA-POTTY, AND SOLID WASTE AREA 1" SHALL BE MOVED TO "STAGING, EQUIPMENT MAINTENANCE, FUELING, PORTA-POTTY, AND SOLID WASTE AREA 2" FOLLOWING EXCAVATION "CUT" ACTIVITIES.
4. ALL "SEDIMENT BARRIERS (TO BE INSTALLED AFTER GRADING)" SHALL BE INSTALLED IMMEDIATELY FOLLOWING ESTABLISHMENT OF FINISHED GRADE AS SHOWN ON THESE PLANS.
5. LONG TERM SLOPE STABILIZATION MEASURES "INCLUDING MATTING" SHALL BE IN PLACE OVER ALL EXPOSED SOILS BY OCTOBER 1.
6. THE STORM WATER FACILITY SHALL BE CONSTRUCTED AND LANDSCAPED PRIOR TO THE STORM WATER SYSTEM FUNCTIONING AND SITE PAVING.
7. INLET PROTECTION SHALL BE IN-PLACE IMMEDIATELY FOLLOWING PAVING ACTIVITIES.

THESE EROSION AND SEDIMENT CONTROL PLANS ASSUME "DRY WEATHER" CONSTRUCTION. "WET WEATHER" CONSTRUCTION MEASURES NEED TO BE APPLIED BETWEEN OCTOBER 1ST AND MAY 31ST.



REVISIONS:

UTILITY + STREET CONST.
GRADING + STABILIZATION
EROSION/SED CONTROL PLAN

ENGINEERING FIRM

DESIGNED BY: _____ DRAWING NO: _____
 DRAWN BY: _____ SCALE: AS NOTED
 CHECKED BY: _____
 PREPARED FOR: _____

PROJECT NAME

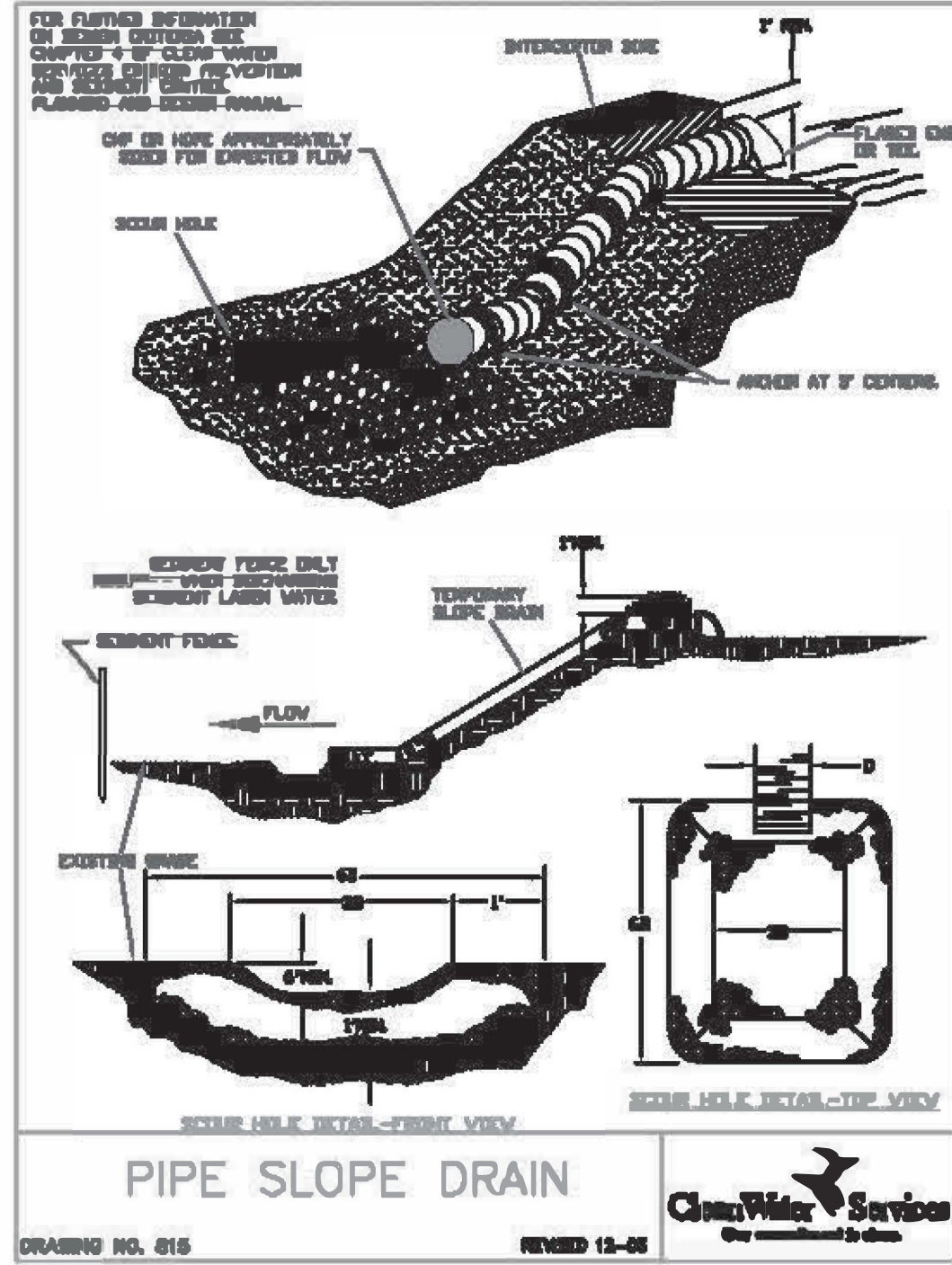
WASHINGTON COUNTY OREGON
 TAX LOTS _____ WASHINGTON COUNTY TAX MAP

DATE: _____

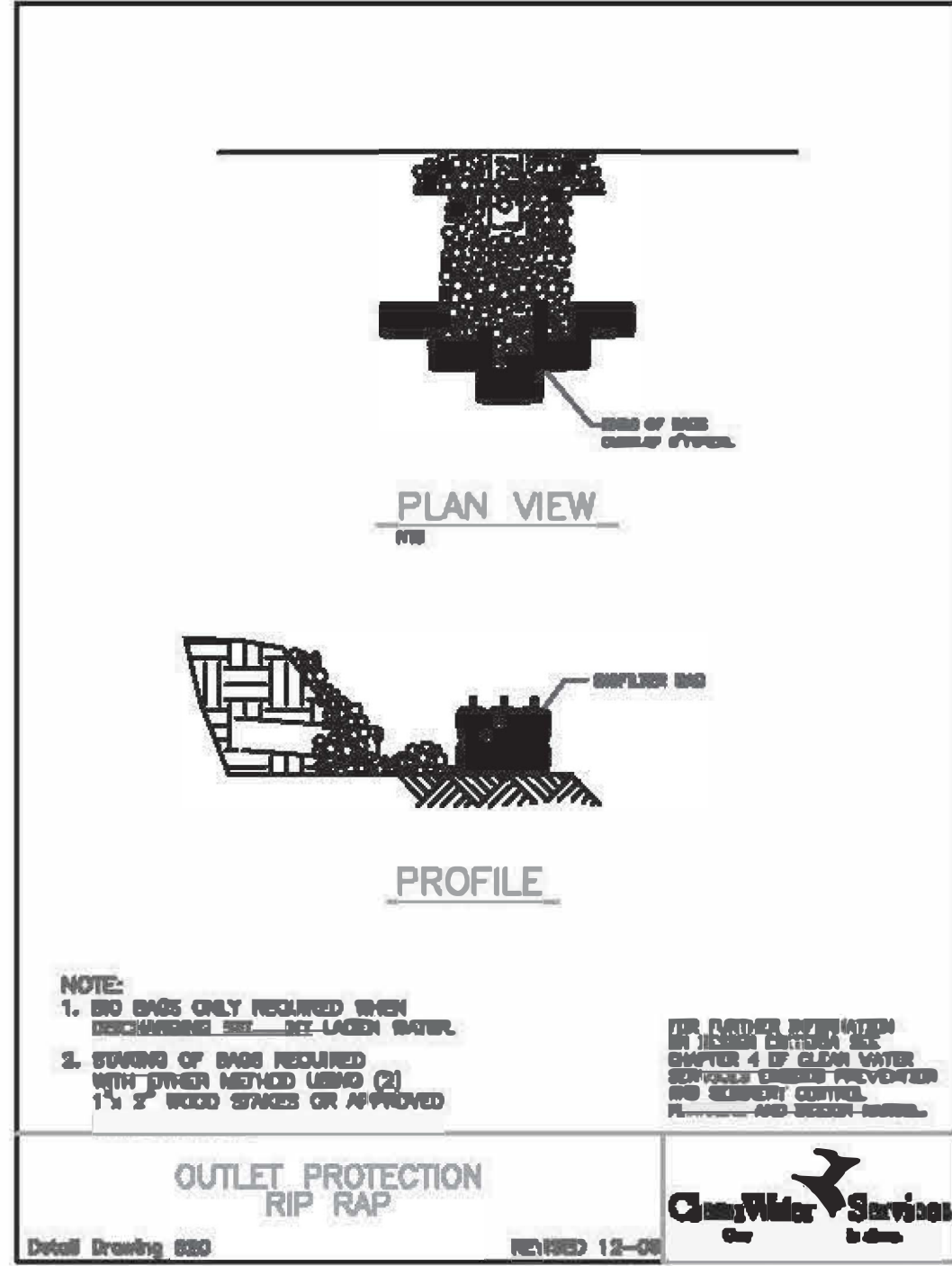
THIS IS A PLACE HOLDER
 ENGINEER
 PRELIMINARY DESIGN
 OREGON
 REMOVE FOR STAMPING
 EXPIRES: Month Day Year

JOB NUMBER
XXXX

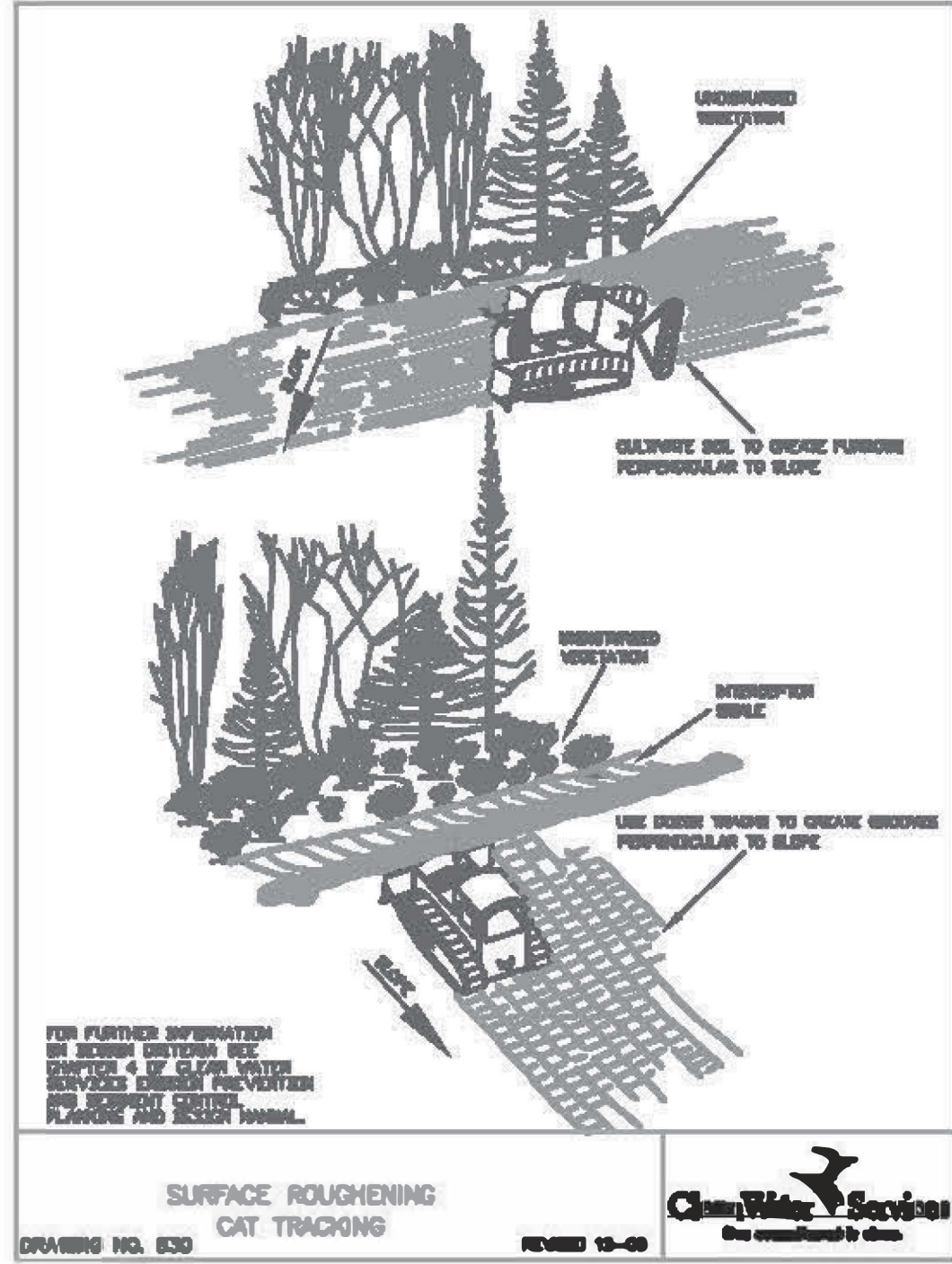
SHEET
XXX-XXX



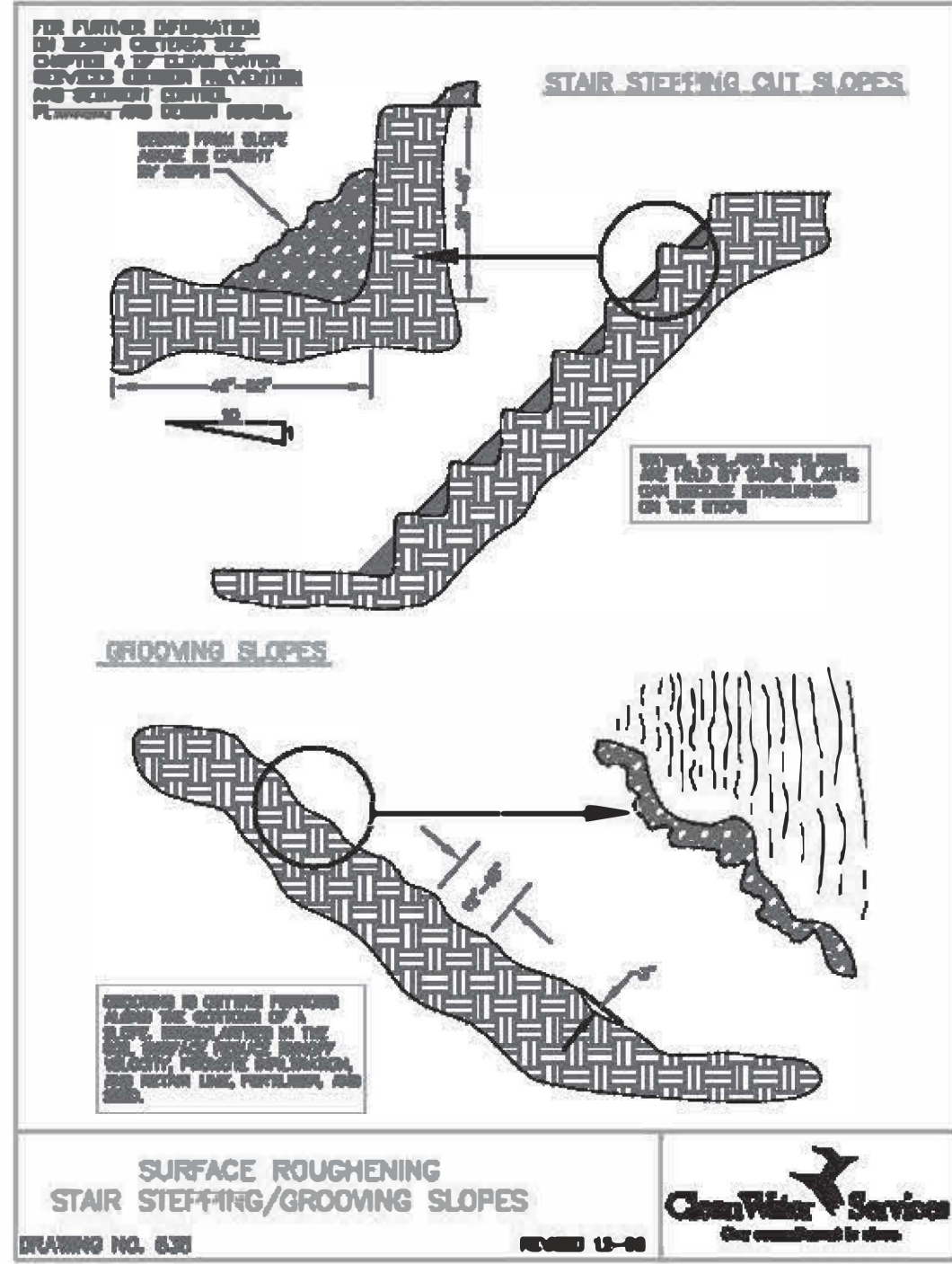
PIPE SLOPE DRAIN
DRAWING NO. 615 REVISED 12-05
CleanWater Services
Our commitment to clean water.



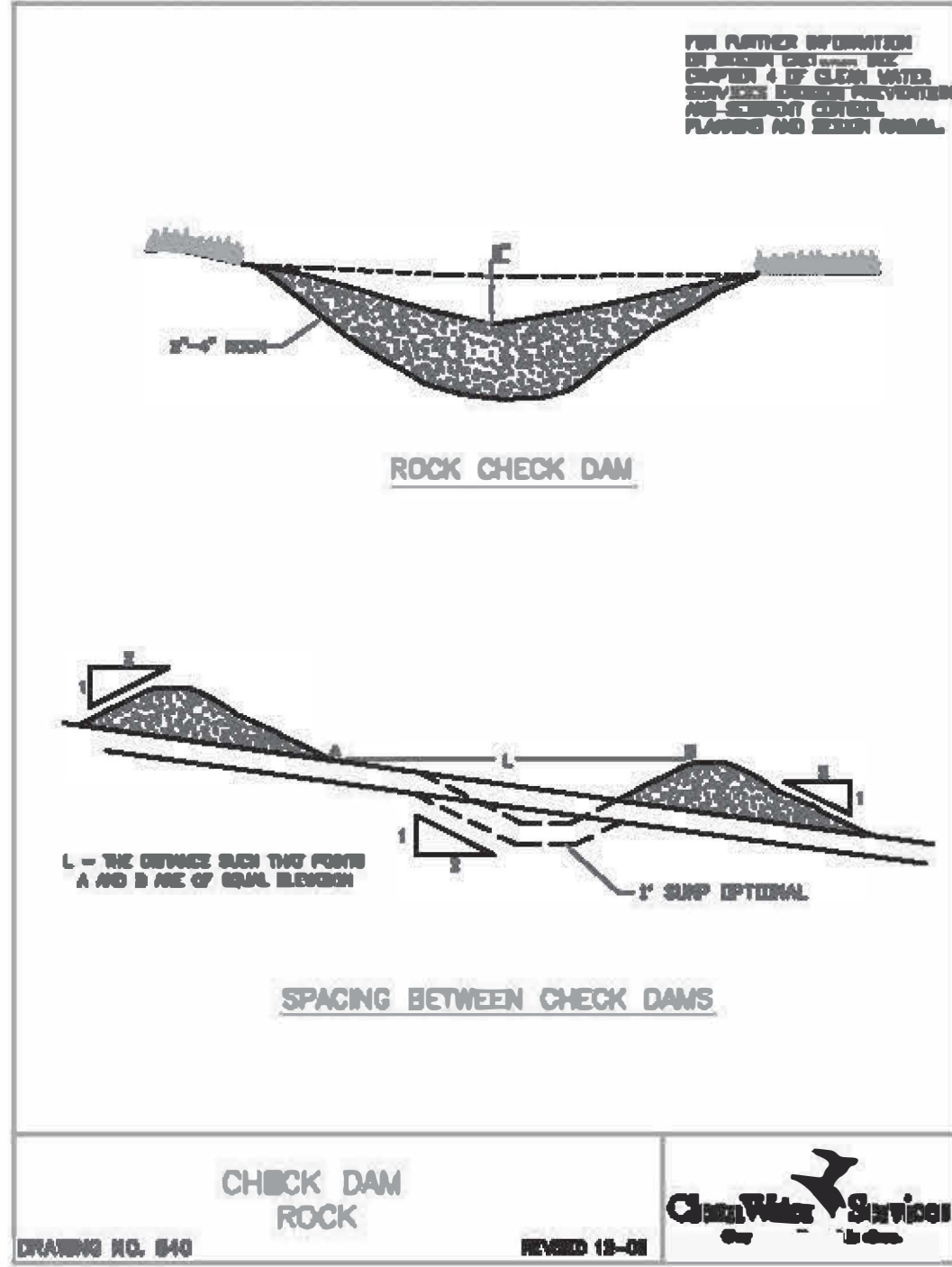
OUTLET PROTECTION RIP RAP
Detail Drawing 620 REVISED 12-05
CleanWater Services
Our commitment to clean water.



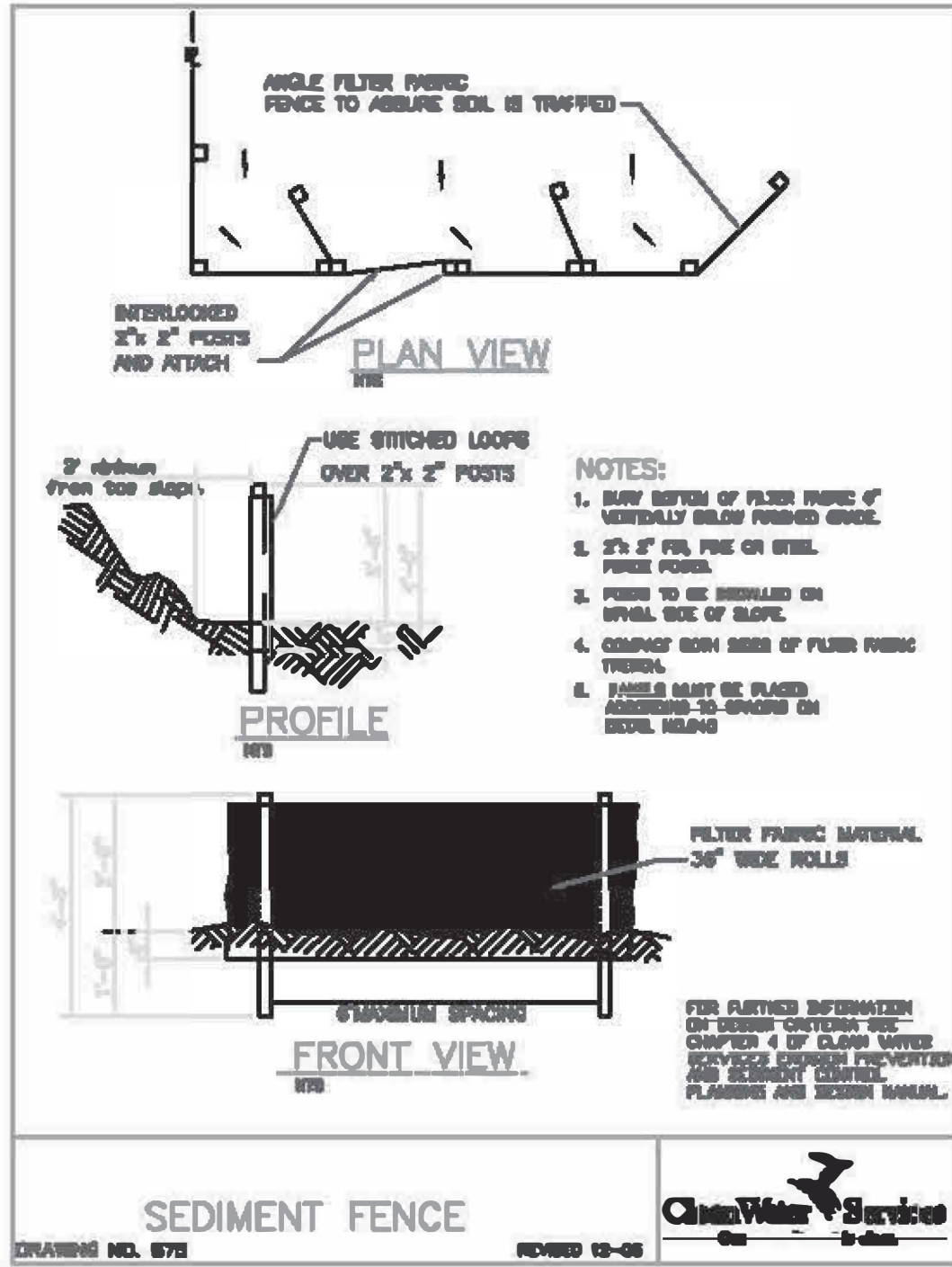
SURFACE ROUGHENING CAT TRACKING
DRAWING NO. 630 REVISED 12-05
CleanWater Services
Our commitment to clean water.



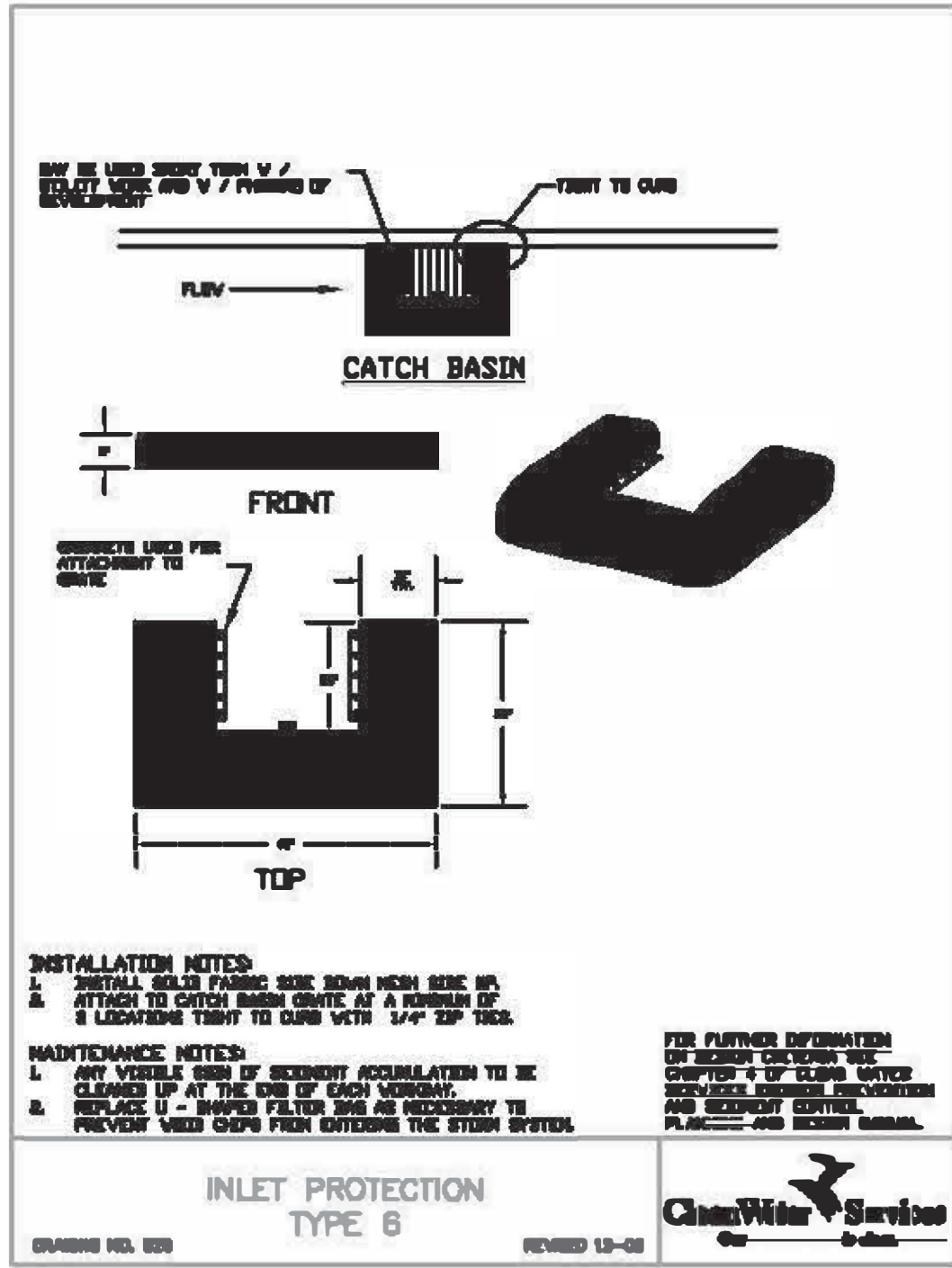
SURFACE ROUGHENING STAIR STEPPING/GROOVING SLOPES
DRAWING NO. 635 REVISED 12-05
CleanWater Services
Our commitment to clean water.



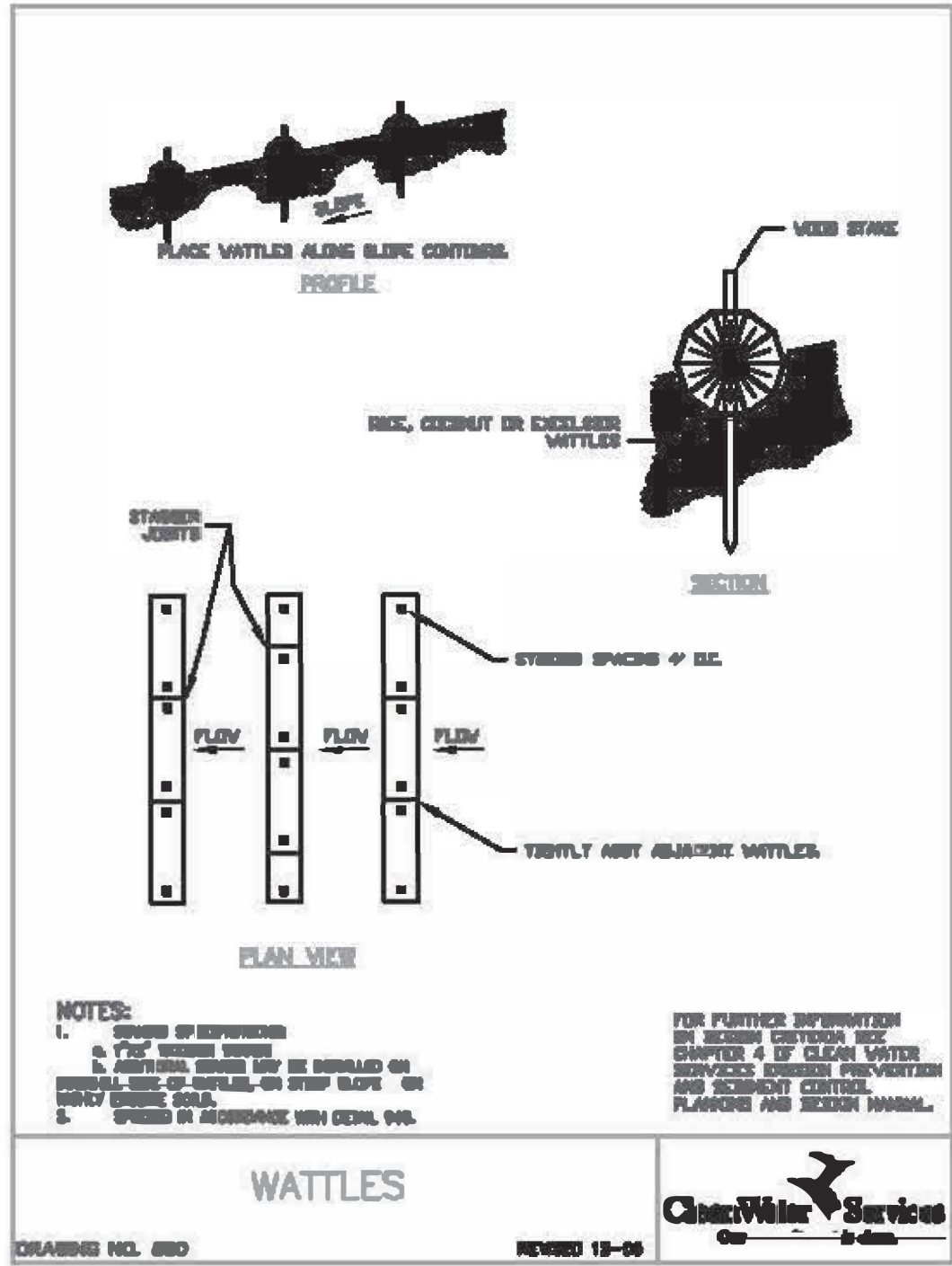
CHECK DAM ROCK
DRAWING NO. 640 REVISED 12-05
CleanWater Services
Our commitment to clean water.



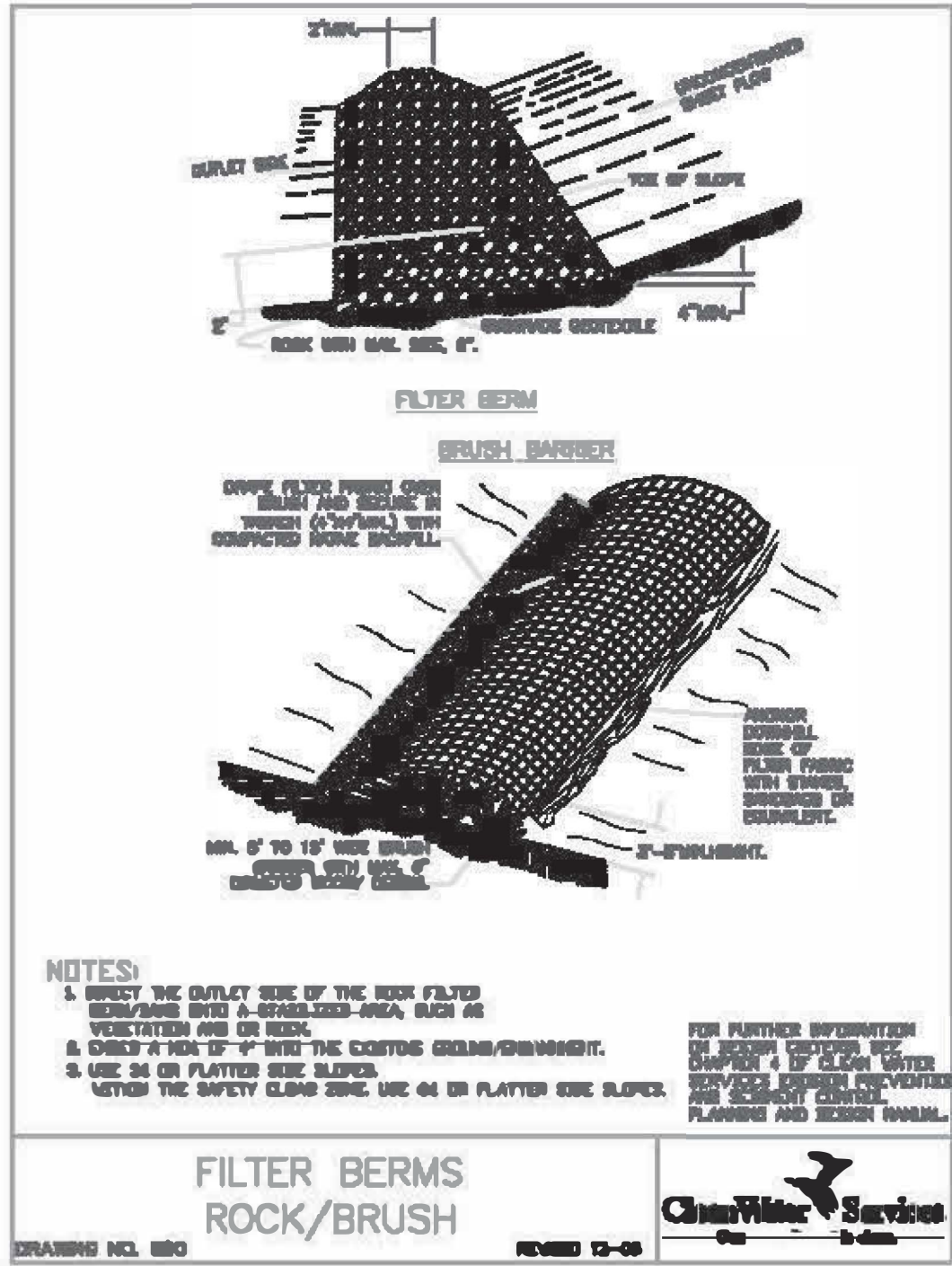
SEDIMENT FENCE
DRAWING NO. 672 REVISED 12-05
CleanWater Services
Our commitment to clean water.



INLET PROTECTION TYPE B
DRAWING NO. 680 REVISED 12-05
CleanWater Services
Our commitment to clean water.



WATTLES
DRAWING NO. 680 REVISED 12-05
CleanWater Services
Our commitment to clean water.



FILTER BERMS ROCK/BRUSH
DRAWING NO. 690 REVISED 12-05
CleanWater Services
Our commitment to clean water.

EXAMPLE DETAILS SHOWN REPRESENT THOSE CHOSEN FOR THIS ESC TEMPLATE. USERS NEED TO CONSULT THE DEQ GUIDANCE MANUAL OR LOCAL AGENT'S ESCP MANUAL FOR A COMPREHENSIVE LIST OF AVAILABLE DETAILS.

REVISIONS:

EROSION AND SEDIMENT CONTROL DETAILS

ENGINEERING FIRM

DESIGNED BY: _____ DRAWING NO: _____
 DRAWN BY: _____ SCALE: AS NOTED
 CHECKED BY: _____
 PREPARED FOR: _____

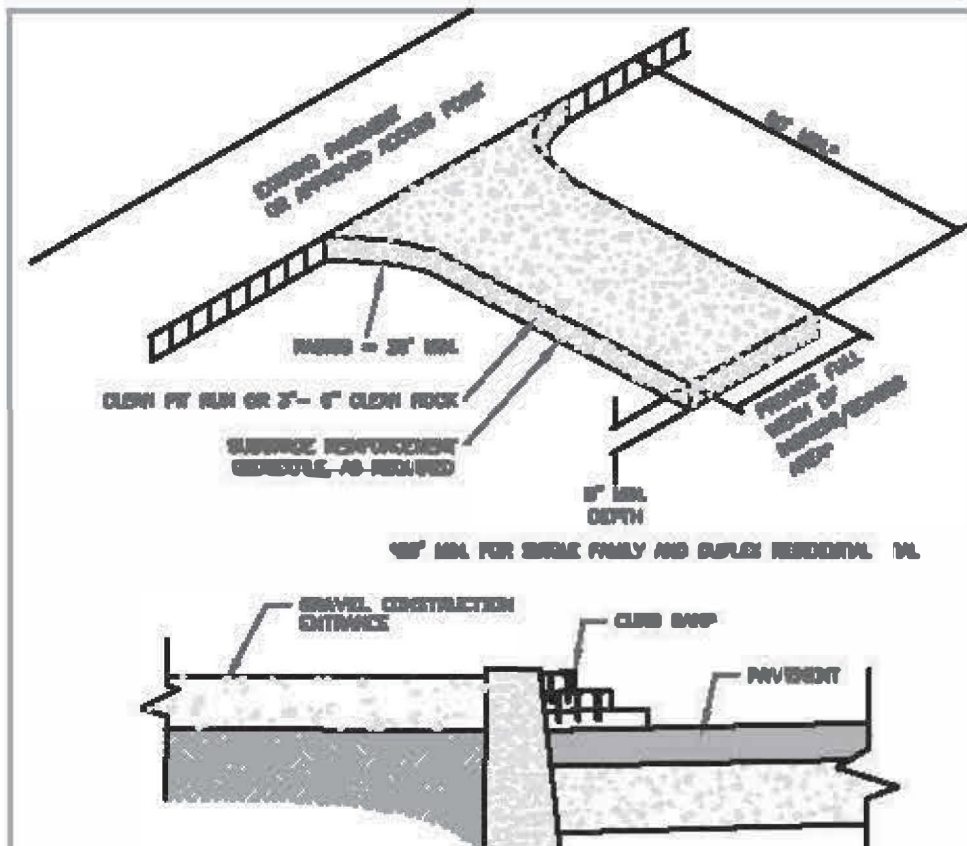
PROJECT NAME

WASHINGTON COUNTY OREGON
 WASHINGTON COUNTY TAX MAP _____

DATE: _____

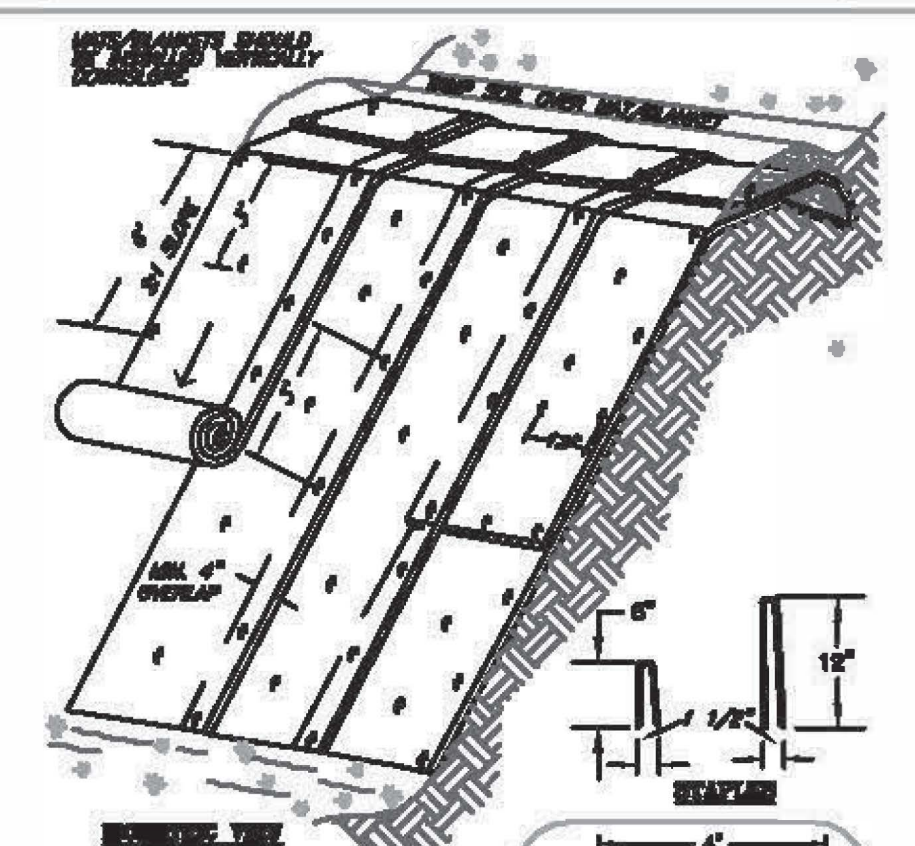
THIS IS A PLACE HOLDER FOR THE PRELIMINARY DESIGN OREGON REMOVE FOR STAMPING

JOB NUMBER: XXXX
 SHEET: XXXX



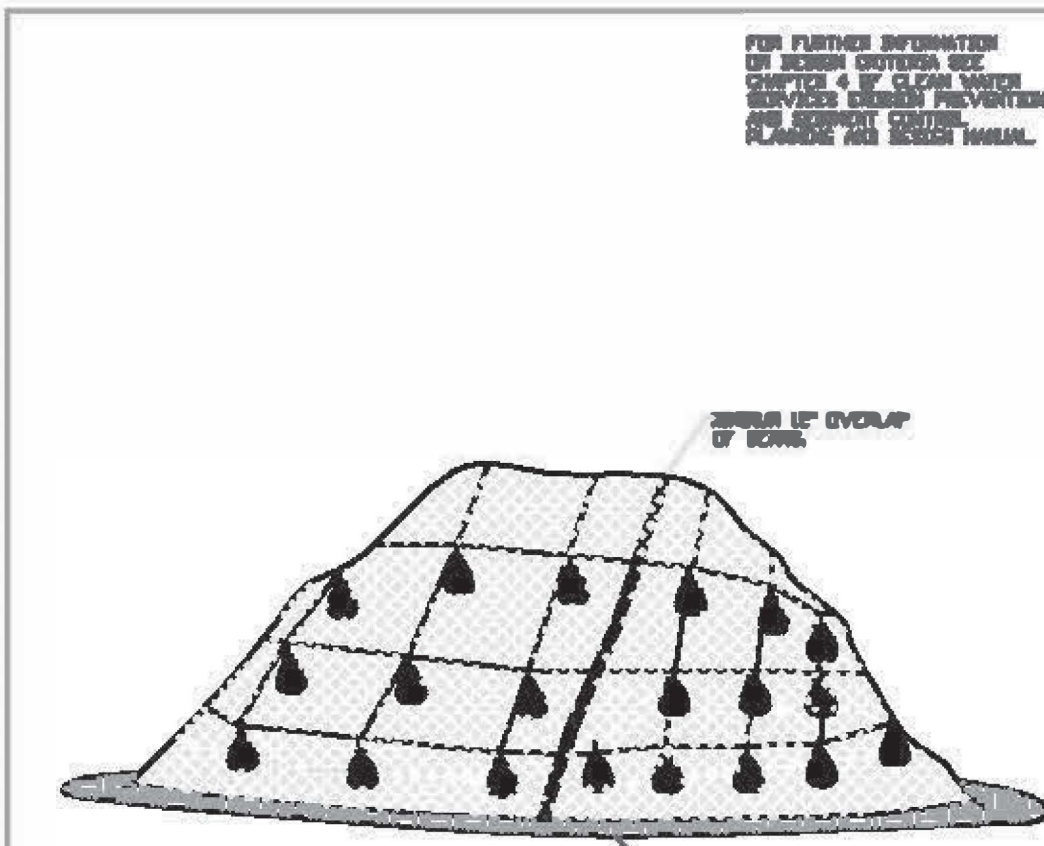
- NOTES:**
1. THE ENTRANCE SHALL BE MAINTAINED IN A CONDITION THAT WILL PREVENT TRACKING OR FLOODING OF SEDIMENT INTO PUBLIC RIGHT-OF-WAY. THIS MAY REQUIRE TOP DRESSING, REPAIR AND/OR CLEAN-UP OF ANY MATERIALS USED TO TOP DRESSING.
 2. WHEN REPAIRING DAMAGE SHALL BE CLEANED PRIOR TO RESTORING INTO PUBLIC RIGHT-OF-WAY.
 3. WHEN REPAIRING DAMAGE IT SHALL BE DONE IN AN AREA CONSIDERED WITH CURRENT ROADWAY DRAINAGE AND AN APPROVED SEDIMENT TRAP OR SEDIMENT BARRIERS.
 4. EXISTING DRAINAGE CHANNELS SHALL BE MAINTAINED TO THE MAXIMUM EXTENT POSSIBLE. CHANNELS SHALL BE RECONSTRUCTED TO MEET EXISTING CHANNELS AND SEDIMENT CONTROL PLACEMENT SHALL BE DETERMINED TO MEET EXISTING CHANNELS AND SEDIMENT CONTROL PLACEMENT.
 5. CHANNELS SHALL BE RECONSTRUCTED TO MEET EXISTING CHANNELS AND SEDIMENT CONTROL PLACEMENT SHALL BE DETERMINED TO MEET EXISTING CHANNELS AND SEDIMENT CONTROL PLACEMENT.
 6. CHANNELS SHALL BE RECONSTRUCTED TO MEET EXISTING CHANNELS AND SEDIMENT CONTROL PLACEMENT SHALL BE DETERMINED TO MEET EXISTING CHANNELS AND SEDIMENT CONTROL PLACEMENT.

CONSTRUCTION ENTRANCE
 Detail Drawing 805
 REVISED 12-08



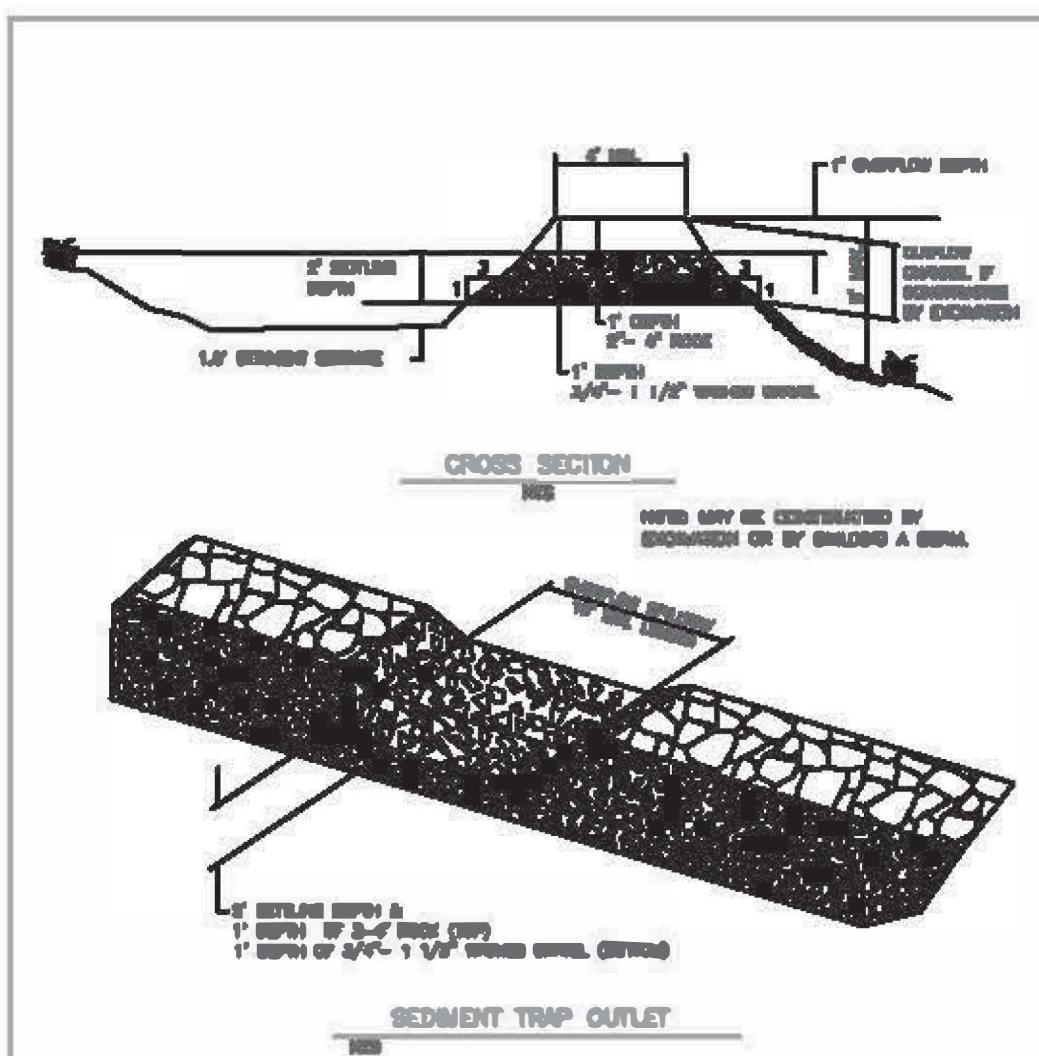
- TYPICAL SLOPE SOIL STABILIZATION**
- NOTES:**
1. SLOPE SURFACE SHALL BE FREE OF ROCKS, CLUMPS, BRUSH AND OTHER MATTER/DEBRIS THAT WILL HAVE SOIL CONTROL.
 2. APPLY PERMANENT SEEDING BEFORE PLACING MATTING.
 3. LAY MATTING LOOSELY AND STAKE OR STAPLE TO MAINTAIN DIRECT CONTACT WITH THE SOIL. DO NOT STRETCH.
 4. STAKES OR STAPLES LAYOUT PER DIMENSIONED SPECIFICATIONS.

MATTING SLOPE INSTALLATION
 DRAWING NO. 806
 REVISED 12-08



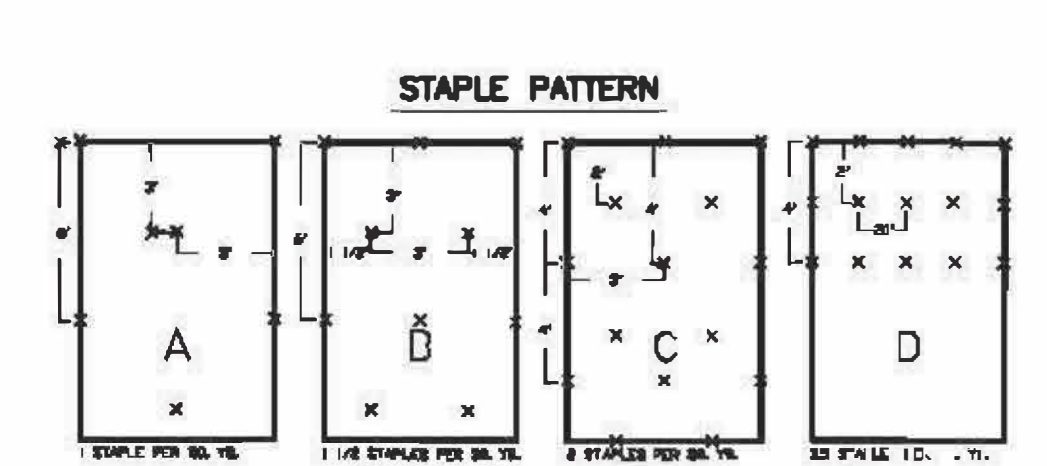
- PLASTIC SHEETING**
- NOTES:**
1. MINIMUM 12" OVERLAP OF ALL SEAMS REQUIRED.
 2. DIGGER REQUIRED @ TOE OF STOCK PILE.
 3. COVERING MAINTAINED TIGHTLY IN PLACE BY USING SANDBAGS OR TIES ON ROPEL WITH A MAXIMUM 10' GRID SPACING IN ALL DIRECTIONS.
 4. STAKES OR STAPLES LAYOUT PER DIMENSIONED SPECIFICATIONS.

PLASTIC SHEETING
 DRAWING NO. 810
 REVISED 12-08



- NOTE:**
- A FILTER FABRIC FENCE OR SIMILAR FILTER MUST BE CONSTRUCTED TO FILTER RUNOFF FROM THE SEDIMENT TRAP PRIOR TO DISCHARGE FROM THE CONSTRUCTION SITE.

SEDIMENT TRAP
 DRAWING NO. 830
 REVISED 12-08



LENGTH AND SLOPE TABLE

300	B	C			
275			C		
250				C	
225					D
200					
175		B			
150					
125	A				
100					
75		A	B		
50					
25					
0					

LOW FLOW CHANNEL HIGH FLOW CHANNEL

MINIMUM STAPLE PATTERN GUIDE AND RECOMMENDATION FOR SLOPE AND CHANNEL APPLICATION.

STAPLE TABLE Detail Drawing 4-3

REVISIONS:

EROSION AND SEDIMENT CONTROL DETAILS

ENGINEERING FIRM

DESIGNED BY: _____ DRAWING NO.: _____
 DRAWN BY: _____ SCALE: AS NOTED
 CHECKED BY: _____
 PREPARED FOR: _____

PROJECT NAME

WASHINGTON COUNTY OREGON
 WASHINGTON COUNTY TAX MAP

DATE: _____

JOB NUMBER: XXXX
 SHEET: XXXX

Inspection Checklist

Question 90

MARION COUNTY PUBLIC WORKS
EROSION & SEDIMENTATION CONTROL (ESC)
PLAN CHECK LIST

PLAN COVER SHEET

Before Public Works Land Development Engineering & Permits (PW-LDEP) will accept an ESCP Plan for review, the following list of ESC Plan elements must be checked-off as provided for on the Plan, and then signed/dated by the Applicant or their Authorized Agent.

- Vicinity Map
- Site Map, including north arrow in correct orientation
- Project Location (Address if available), including latitude and longitude
- Property Description
- Narrative Site Descriptions including Existing Site Conditions, Developed Conditions, Nature of Construction Site Activity, Phases (i.e. clearing, rough grading, foundation, final grading, landscaping), and estimated schedule
- Define the estimated area of the permitted site and the estimated area to be disturbed, including square footage/acres
- Site Soil Characterization – Including soil classifications and soil erosive potential
- Contours on the existing conditions plan shall extend a minimum of 20' beyond all site boundaries
- Receiving water body, as applicable (named if available), wetlands, named 100-year floodplain
- Plans within urban areas shall be drawn at a scale of one-inch equals 20 or 30 feet, and for rural sites, at a scale of one-inch equals 40 or 50 feet
- Provide stationing for linear projects within the public Right-of-Way. Stationing shall run from left to right of plan and profile and typically commence at the south or west end of project and end at the north or east end of project.
- Inspection frequencies
- Standard ESC Plan notes, with permit references when applicable
- BMP Matrix for construction phases
- Names and contact information for Applicant's agents such as Architect, Engineer, Prime Contractor, and Excavator
- Name and contact information for Applicant's designated erosion control inspector
- Initialed (wet ink) Rationale Statement

MARION COUNTY PUBLIC WORKS
ESC PLAN CHECK LIST

**PRE-DEVELOPMENT SHEET FOR CLEARING, DEMOLITION, AND
MASS GRADING**

- Existing (pre-construction) conditions site plan
- Elevations based on USGS vertical datum
- Total property boundary including surface area of development
- Perimeter of area to be disturbed
- Existing contours extending a minimum of 20' beyond all site boundaries
- Locations of receiving water body, as applicable (named if available), springs, wetlands, 100-year floodplain boundary
- Drainage flow arrows depicting estimated overland and channelized pre-development flow directions
- Locations of natural existing discharge points for overland and channelized flow to receiving stream or buffers
- Location of temporary staging area
- Locations of existing structures and indications of those to be removed
- Location for temporary stockpile areas for soil and demo debris
- Locations of septic tanks, drywells, and potable / irrigation wells
- Identify areas where vegetation is to be protected and remain undisturbed (i.e. specimen trees). Delineate this boundary with erosion and sedimentation control base measures and orange construction fencing.
- Clearly define (show and label) Sensitive Areas and Vegetated Corridors
- Location of all ESC measures including but not limited to: gravel construction entrance, perimeter control BMPs, existing inlet protection, temporary diversion channels, settling ponds, etc.
- Legend of ESC BMP elements. Element distribution can be assigned symbolically or alpha/numerically.
- Site and phase specific ESC construction notes

MARION COUNTY PUBLIC WORKS
ESC PLAN CHECK LIST

**POST-DEVELOPMENT SHEET FOR UTILITY, STREET
CONSTRUCTION, COMPLETION OF GRADING, AND FINAL
STABILIZATION**

- Developed (post-construction) conditions site plans
- Show onsite development boundary and any offsite work associated with the development. Include ESC for offsite areas.
- Finished Floor Elevation (FFE) based on USGS vertical datum
- Clearly identify areas of cuts and fills as well as show finished contours tying into existing contours
- Drainage flow arrows depicting locations of natural and altered discharge points for overland and channelized flow. Show appropriate interior sediment control BMP's downslope of all disturbed areas above streets, parking areas, and water quality facilities.
- Open / closed storm drain system and detention facilities, as applicable. Including all inlets and outlets.
- Designated areas for solid waste, hazardous waste, concrete washout, fuel storage areas, and method of control, as applicable
- Designated areas for soil stockpiles and method of control, as applicable
- Landscaping plan, including areas to be stabilized by seeding and/or sodding with watering requirements
- If seeding is specified as a BMP, specify dates in which seed is to be applied to ensure that vegetation becomes established prior to wet weather period.
- Identify areas where vegetation is to remain undisturbed. Delineate this boundary with ESC base measures and orange construction fencing.
- Relative locations of proposed features to receiving water body, as applicable (named if available), wetlands, 100-year floodplain boundary and how they will be protected from erosion
- Locations of water features (listed above) plus septic tanks, drain fields, drywells, detention ponds, potable / irrigation wells
- Show location of post development discharge points to receiving streams or buffers
- Clearly define (show and label) Sensitive Areas and Vegetated Corridors
- Include phase specific notes for dust control

- Indicate additional BMP's to be used when project boundary is within 50 feet of water of the state including but not limited to compost berms, compost blankets, compost socks, two parallel rows of sediment fence.
- Location of all ESC measures including but not limited to: inlet protection, temporary diversion channels, settling ponds, etc.
- Legend of ESC Plan BMP elements. Element distribution can be assigned symbolically or alpha/numerically.
- Site and phase specific ESC construction notes and site and phase specific ESC BMP implementation rules

MARION COUNTY PUBLIC WORKS
ESC PLAN CHECK LIST

DETAILS SHEET

- Details for all proposed BMPs and installation techniques
- General ESC Plan notes. Refer to Clean Water Services ESC planning and design manual for guidance on design criteria.
- Notes pertaining to Non-Structural BMPs, if applicable, with descriptions and method of use

Prior to submittal, check that all the following are included:

- Appropriate BMPs have been used
- One set of approvable plans
- Copy of this checklist

ESC Plan Designed by: _____ Date : _____

Checklist Completed/Verified by: _____ Date : _____

Submit to:
Land Development Engineering & Permits
Marion County Public Works
5155 Silverton Road NE
Salem, OR 97305

EPSC Permit Example

Question 99

Record ID: 555-19-000739-PW

Forward Cancel Help

Importance

Normal

From

Auto_Sender@Accela.com

Sent

01/13/2020 15:43:47

To

MECALEAHERRERA@GMAIL.COM

Cc

Bcc

Title

Inspection results for 555-19-000739-PW, Job Site Address 4645 UTAH AVE NE, SALEM, OR 97305 have been posted

Attachment(s)

Content

Inspection results for 555-19-000739-PW

Address: 4645 UTAH AVE NE, SALEM, OR 97305

Inspection: 6010 Preliminary Erosion Control

Inspection Date: 01/13/2020

Result: Denied

Comments: Needs more wattels around dirt pile.

If you have any questions regarding this inspection, please contact the corresponding Marion County department indicated below:

Building at (503) 588-5147

Public Works at (503) 588-5036

Code Enforcement at (503) 373-4333

Thank you,

Marion County

5155 Silverton Rd NE Salem, OR 97305

Ph: 503-588-5147 Fax: 503-588-7948

Email: building@co.marion.or.us

Web Address: www.co.marion.or.us

[Supporting Attachments 73](#)



Inspection Result

555-19-000739-PW
Public Works Tracking

Marion County Public Works
5155 Silverton Rd NE
Salem, OR 97305
503-584-7714
Fax: 503-373-4418
mcldep@co.marion.or.us
Website:
co.marion.or.us/PW/Pages/default.aspx

Worksite: 4645 UTAH AVE NE SALEM OR 97305

Parcel: 072W18AA06100

Subdivision: MIDDLEGROVE TRACTS

Lot: FR 11

Block: 4

Owner: HERRERA,MECALEA

Inspection type

Scheduled date

Inspector

6010 Preliminary Erosion Control

January 13, 2020

Matt Ficek

Work description: EROSION PERMIT FOR ADDITION AND GARAGE CONVERSION - ADDING KITCHEN AND MASTER SUITE CONV GARAGE TO LIV RM AND LAUNDRY

Inspection result

- Approved
 Approved w/conditions
 Accepted
 Partial approval
 Not required
 Holdover
 Denied
 Not ready
 No access
 Information only
 Wrong inspection requested
 Cancelled

CORRECTIONS/COMMENTS

Needs more wattels around dirt pile.

Inspection completed by: Matt Ficek

Inspection completed date: January 13, 2020

Schedule or track inspections at buildingpermits.oregon.gov
Schedule by phone call 1-888-299-2821, use IVR number: **555 009 803 990**
Schedule using the Oregon ePermitting Inspection App, search "epermitting" in the app store

[Supporting Attachments 74](#)



Inspection Result

555-19-000739-PW
Public Works Tracking

Marion County Public Works
5155 Silverton Rd NE
Salem, OR 97305
503-584-7714
Fax: 503-373-4418
mcldep@co.marion.or.us
Website:
co.marion.or.us/PW/Pages/default.aspx

Worksite: 4645 UTAH AVE NE SALEM OR 97305

Parcel: 072W18AA06100

Subdivision: MIDDLEGROVE TRACTS

Lot: FR 11

Block: 4

Owner: HERRERA,MECALEA

Inspection type

Scheduled date

Inspector

6010 Preliminary Erosion Control

January 29, 2020

Matt Ficek

Work description: EROSION PERMIT FOR ADDITION AND GARAGE CONVERSION - ADDING KITCHEN AND MASTER SUITE CONV GARAGE TO LIV RM AND LAUNDRY

Inspection result

- Approved
- Approved w/conditions
- Accepted
- Partial approval
- Not required
- Holdover
- Denied
- Not ready
- No access
- Information only
- Wrong inspection requested
- Cancelled

CORRECTIONS/COMMENTS

Inspection completed by: Matt Ficek

Inspection completed date: January 27, 2020

Schedule or track inspections at buildingpermits.oregon.gov
Schedule by phone call 1-888-299-2821, use IVR number: **555 009 803 990**
Schedule using the Oregon ePermitting Inspection App, search "epermitting" in the app store

[Supporting Attachments 75](#)

CESC Escalating Enforcement

Question 101



LDEP POLICY & PROCEDURES MEMORANDUM

RE: Construction Erosion and Sediment Control Enforcement Procedure

POLICY

In the event that a violation of Marion County Code Chapter 15.10 is discovered, the following series of escalations shall be followed in an attempt to end the violation of Marion County's Construction Erosion and Sediment Control Code, and bring the responsible party/project into compliance. When a non-compliance of a construction site is discovered:

1. The inspector will look at past applicable records to determine if this is a repeat violation. This will impact the enforcement actions taken if a violation is confirmed to be occurring.
 - a) For repeat violations, follow the same procedure, but also initiate issuance of fine for violation in accordance with step 5.

2. The inspector will attempt to make contact onsite and communicate verbally the nature of the violation, why it matters, what needs to happen to end the non-compliance, a deadline for remediation not to exceed 5 business days, and what the potential consequences are, both for the construction project, and for the County as a whole.
 - a) If contact cannot be made onsite the Applicant of record for the permit will be contacted and the information mentioned previously will be communicated.

3. If the violation(s) identified are not remediated by the deadline given in Step 2 or the site is found to continually violate the CESC permit, a Stop Work Order (SWO) letter (in accordance with County Code 15.10.110) requiring the remediation of the violation(s) and non-compliant site conditions, sent by certified mail, shall be issued to the Applicant(s).
 - a) This Stop Work Order will include a deadline not to exceed 7 business days from the date of the letter in which it is anticipated the violation(s) will be corrected.
 - b) In addition to the certified mailing, an email containing a signed copy of the letter may be sent to the Applicant of record to ensure receipt of the letter.
 - c) In accordance with Marion County Code 15.10.110(B) a copy of the Stop Work Order will be posted at the project site.
 - d) Issuance of a SWO requires the prior approval of the LDEP Supervisor

4. If a SWO is issued, and the violation is not remedied by the deadline given in the SWO, the Sheriff's Office shall be notified to initiate issuance of a fine for a non-continuing violation in accordance with County Code 15.10.120.
 - a) If the violations noted in the SWO are corrected prior to the deadline provided in the SWO, and no other CESC violations need be corrected, then the Stop Work Order will be removed and the Sheriff's Office not notified.
 - b) If it is necessary to issue a second SWO for the same project this will be treated as a continuing violation per Step 5.

5. If the SWO is violated (i.e. construction work other than that related to remedying the violation(s) is conducted prior to removal of the SWO), or it is necessary to issue multiple for the same project, contractor, developer or property owner, the Marion County Sheriff's office shall be notified to initiate the issuance of a penalty fine for a continuing violation in accordance with County Code 15.10.120. Fines shall be determined from the date the County was first made aware of the initial violation(s).

BACKGROUND

A written procedure for Construction Erosion and Sediment Control code violations provides staff guidance for a previously undefined process. This will ensure consistency and equity in how the County approaches developments that fail to meet County code for erosion and sediment control.

ATTACHMENTS

1. Marion County Code Chapter 15.10

Chapter 15.10 CONSTRUCTION EROSION AND SEDIMENT CONTROL

Sections:

- 15.10.010 Title.**
- 15.10.020 Purpose.**
- 15.10.030 Definitions.**
- 15.10.040 *Repealed.***
- 15.10.050 Permit required.**
- 15.10.060 Erosion prevention and sediment control plan.**
- 15.10.070 Permit fee.**
- 15.10.080 Construction site deposits on public streets and into storm drains.**
- 15.10.090 Maintenance.**
- 15.10.100 Falsifying information.**
- 15.10.110 Stop work orders.**
- 15.10.120 Penalties.**
- 15.10.130 Enforcement.**
- 15.10.140 Other remedies.**

15.10.010 Title.

This chapter shall be known as the construction erosion and sediment control ordinance of Marion County. [Ord. 1307 § 1, 2010.]

15.10.020 Purpose.

The purpose of this chapter is to minimize the amount of sediment reaching waterways, wetlands, and the public storm drainage and surface water system for the duration of construction site activities. [Ord. 1307 § 2, 2010.]

15.10.030 Definitions.

For the purposes of this chapter, the following words shall have the following meanings:

“Applicant” means the owner of real property or the owner’s authorized agent. “Applicant” includes any person who would be required to obtain a Marion County permit or exemption approval, but who neglects or otherwise fails to do so.

“Authorized agent” means the developer, architect, contractor, engineer, builder, personal representative, or anyone designated by the owner to have control or supervision of a site involving construction site activity.

“Construction site activity” means ground disturbing activities at a location where a Marion County permit or exemption approval is required.

“Director” means the director of public works or the director’s designee.

“Emergency” has the same meaning as found in ORS [401.025](#).

“Erosion” means the wearing away of the ground surface, or the movement, detachment or dislocation and transport of sediment including soil particles by the action of water or wind.

“Exemption approval” means an exemption from the requirement to obtain a building permit for an agricultural building.

“Ground disturbing activities” means any activity that exposes soil, including, but not limited to, grading, excavating, filling, clearing, or working of land at a particular location.

“High-risk area” means an area that the board of commissioners has established by order to be at high risk for erosion or sediment dispersal to a water body due to the following conditions: erosive soils, steep slopes, or close proximity to a water body.

“Large development ground disturbing activities” means any activity that exposes soil covering one acre or more of land surface area, either in isolation or as part of a subdivision, partition, or planned unit development, including, but not limited to, construction, landscaping, removal of vegetation, stockpiling of soil or construction debris, grading, filling, excavating, trenching, drilling, transport or fill, or utility work at a particular location.

“Public storm drainage and surface water system” means natural or manmade drainage courses for the conveyance of surface water.

“Sediment” means finely divided loose material that can be suspended and transported in water or air and may originate from disturbed soil, landscaping, or construction activities or materials.

“Storm event” means one-half inch or more of precipitation in a 24-hour period.

“Stormwater management area” means an area designated as a stormwater management area by the Department of Environmental Quality. [Ord. 1316 § 3(I), 2011; Ord. 1307 § 3, 2010.]

15.10.040 Exempt activity.

Repealed by Ord. 1316. [Ord. 1307 § 4, 2010.]

15.10.050 Permit required.

A. An erosion prevention and sediment control permit is required inside a stormwater management area if construction site activity takes place within a high-risk area.

B. A large development erosion prevention and sediment control permit is required inside a stormwater management area for large development ground disturbing activities. [Ord. 1316 § 3(II), 2011; Ord. 1307 § 5, 2010.]

15.10.060 Erosion prevention and sediment control plan.

A. An erosion prevention and sediment control plan is required for all erosion prevention and sediment control permits. The plan must be submitted by the applicant and approved by the director for issuance of the erosion prevention and sediment control permit, prior to the issuance of a Marion County permit or exemption approval and commencement of ground disturbing activities. The plan must contain protection techniques that will eliminate runoff siltation created from the construction activity both during and after construction. Site-specific considerations shall be incorporated.

B. The county may require that the applicant design and construct a temporary drainage system that will ensure any off-site impacts caused by the construction site activity can be mitigated.

C. The department of public works may perform inspections to ensure compliance with this chapter at the discretion of the director. [Ord. 1307 § 6, 2010.]

15.10.070 Permit fee.

The county may establish a fee for review of plans and inspections required by this chapter by order of the board of commissioners. The board of commissioners shall set the fee to recover the public works department costs of providing an applicant's erosion prevention and sediment control permit, inspections, and plan review. [Ord. 1307 § 7, 2010.]

15.10.080 Construction site deposits on public streets and into storm drains.

No person shall cause or allow visible and measurable erosion or sediment related to construction site activity inside a stormwater management area as defined herein to enter the public storm drainage and surface water system. Any person causing visible and measurable erosion or sediment shall immediately abate or remove it. The removal shall be accomplished by hand labor or approved mechanical means. [Ord. 1307 § 8, 2010.]

15.10.090 Maintenance.

A. The applicant shall maintain all erosion and sediment control measures in proper functioning order for the duration of the ground disturbing activities or until adequate ground cover has been established.

B. The applicant shall inspect, maintain, adjust, repair, and replace erosion and sediment control measures as necessary within 24 hours following a storm event to ensure that the measures are functioning properly.

C. During active ground disturbing activity, the applicant shall inspect and maintain erosion and sediment control measures weekly or within 24 hours of a storm event. [Ord. 1307 § 9, 2010.]

15.10.100 Falsifying information.

No person shall knowingly make any false statement, representation, or certification in any application, record, report, plan, or other document filed or required to be maintained pursuant to this chapter. [Ord. 1307 § 10, 2010.]

15.10.110 Stop work orders.

A. In the event there is a violation of this chapter and it is necessary to obtain compliance with this chapter, the director may issue a stop work order requiring that all work, except work directly related to the elimination of the violation, be immediately and completely stopped. If the director issues a stop work order, the applicant shall not resume work until such time as the director gives specific approval in writing. The stop work order shall include:

1. The date of the stop work order;
2. The erosion prevention and sediment control permit and/or permit or exemption approval number if applicable;
3. The site address, legal description or location applicable to the stop work order;
4. A description of all violations; and
5. The conditions under which the work may resume.

B. The stop work order shall be in writing and posted in a conspicuous location at the site. Other means of communication of the stop work order may be exercised in the discretion of the director.

C. No person may remove, obscure, mutilate or otherwise damage a stop work order.

D. A stop work order shall be effective upon posting or upon verbal delivery under subsection (E) of this section.

E. When an emergency condition exists, the director may issue a stop work order verbally. A written stop work order shall be posted in a conspicuous location at the site within 24 hours of the verbal order. [Ord. 1307 § 11, 2010.]

15.10.120 Penalties.

A. Any person who is cited for a violation of this chapter shall be subject to a fine of not more than \$500.00 for a noncontinuing violation and a fine of not more than \$1,000 for a continuing violation.

B. Each day that this chapter is violated shall constitute a separate violation. [Ord. 1307 § 12, 2010.]

15.10.130 Enforcement.

The provisions of this chapter are enforceable pursuant to Chapter 1.25 MCC. [Ord. 1307 § 13, 2010.]

15.10.140 Other remedies.

The provisions of this chapter are in addition to and not in lieu of any other procedures and remedies provided by law including equitable relief and damages. [Ord. 1307 § 14, 2010.]

Mobile Version